



Service Guide OKIPAGE6e
Chapter 0 Introduction

Front Cover

OKIDATA
Service Guide

OKIPAGE 6e / OKIPAGE 6ex
LED PAGE PRINTER PRODUCTS

Adobe Acrobat printable reference copy
of the OKIDATA Service Training Manual.
04/15/98

Note: This Adobe Acrobat version of the Okidata Service Training Manual was built with the pictures rendered at 300 dpi, which is ideal for printing, but does not display well on most displays.

OKIDATA has taken care to insure that the information is complete, accurate and up-to-date. However, OKIDATA assumes no responsibility for errors or omissions which may occur. All the information provided is subject to change from time to time at the sole discretion of OKIDATA.

Service Guide OKIPAGE6e**1 Configuration**

1.1 System Configuration	2
1.2 Printer Configuration	3
1.3 Optional Configuration	4
1.4 Specification	5
1.5 Safety Standards	6

2 Operation Description

OVERVIEW	7
.....OKIPAGE 6e Block Diagram (Figure 2-1)	8
.....OKIPAGE 6ex Block Diagram (Figure 2-2)	9
2.1 Control Board	10
2.2 PS Board (Option)	11
2.3 RAM Board (OKIPAGE 6e/6ex option)	12
2.4 Power Supply Board	13
.....2.5.1 Electrophotographic Process Mechanism	14
.....2.5.2 Electrophotographic Process	15
.....2.5.3 Process Operation Descriptions	16
2.6 Paper Jam Detection	17
2.7 Cover Open	18
2.8 Toner Low Detection	19

3 Parts Replacement

3.1 Precautions for Parts Replacement	20
3.2 Parts Layout - [Lower base unit]	21
.....[Upper cover unit]	22
.....[Base unit]	23
3.3 How to Change Parts	24
....3.3.1 Upper Cover	25
....3.3.2 Stacker	26
....3.3.3 LED Head	27
....3.3.4 Eject Roller Assy	28
....3.3.5 Pulse Motor (Main)	29
....3.3.6 Pulse Motor (Registration)	30
....3.3.7 Lower Base Unit	31
....3.3.8 Motor Assy	32
....3.3.9 Hopping Roller Assy	33
....3.3.10 Stacker Cover Assy	34
....3.3.11 Registration Roller	35
....3.3.12 Transfer Roller	36
....3.3.13 Fusing Unit Assy	37
....3.3.14 Back-up Roller	38
....3.3.15 Sensor Plate (Inlet)	39
....3.3.16 Toner Sensor (Adhesion)	40

Table of Contents

Page

....3.3.17 Sensor Plate (Outlet)	41
....3.3.18 Manual Feed Guide Assy	42
....3.3.19 Sensor Plate (Paper Supply)	43
....3.3.20 Main Control PCB	44
....3.3.21 Power Supply Board and Contact Assy	45
....3.3.22 Transformer	46
....3.3.23 Cassette Guide L	47
....3.3.24 Cassette Guide R	48
4 Adjustment	
4.1 Maintenance Utility Program (OKIPAGE 6e)	49
4.2 EEPROM Parameter Values Adjustments (OKIPAGE 6ex)	50
....4.3.1 OKIPAGE6e: 300 dpi LED head	51
....4.3.2 OKIPAGE6ex: 600dpi LED head	52
5 Periodical Maintenance	
5.1 Periodical Replacement Parts	53
5.2 Cleaning	54
5.2.1 Cleaning of LED Lens Array	55
6 Troubleshooting Procedures	
6. TROUBLESHOOTING PROCEDURES	56
6.2 Check Points before Correcting Image Problems	57
6.3 Tips for Correcting Image Problems	58
6.4 Preparation for Troubleshooting	59
6.5 Troubleshooting Flowchart	60
....6.5.1 Status Message/Trouble List	61
....6.5.2 Status Message Troubleshooting	62
.....1-1 The printer does not work normally after the power is turned on.	63
.....2-1 Paper Input Jam	64
.....2-2 Paper Feed Jam	65
.....2-3 Paper Exit Jam	66
.....3 Paper size error	67
.....4 Fusing Unit Error (ERROR 71) (ERROR 72) (ERROR 73)	68
.....5 Fan Error (ERROR 70)	69
....6.5.3 Image Troubleshooting	70
.....1 Images are Light or Blurred Entirely	71
.....2 Dark Background Density	72
.....3 Blank paper is output.	73
.....4 Black Vertical Belts or Stripes	74
.....5 Cyclic Error	75
.....6 Print Voids	76
.....7 Poor Fusing	77
.....8 White Vertical Belts or Streaks	78
.....Diagram of Contact Assembly Contact Points (Figure 6-4)	79

Table of Contents

Page

.....Diagram of Power Supply / Transfer Roller Contact Point (Figure 6-5)	80
7 Wiring Diagram	
7.1 Interconnect Signal Diagram	81
7.2 PCB Layout and Connector Signal List	82
7.3 Resistance Check	83
7.4 Short Plug Setting	84
8 Parts List	
8.1 General Information	85
A Centronics Parallel Interface	
Centronics Parallel Interface	86
B Localtalk (RS-422) Serial Interface	
LOCALTALK (RS422) SERIAL INTERFACE	87
C Diagnostics Test	
DIAGNOSTICS TEST	88
....1.1 User Maintenance Mode	89
....1.2 System Maintenance Mode	90
....1.3 Engine Maintenance Mode	91
....1.4 Factory User Setting Operation	92
D Maintenance Utility Overview	
....1.1 MAINTENANCE UTILITY OVERVIEW	93
....1.2 Maintenance Utility Functions	94
....1.3 Software Configuration	95
#2.0 Main Menu Dialog	96
....2.1 Engine Menu Group	97
....2.2 Engine Counter Group	98
....2.3 Status Monitor	99
....2.4 Test Print Button	100
.....#2.4.1 Local Print	101
.....2.4.2 Test File Print	102
....2.5 Option Button	103
....#2.6 About Button	104
....2.7 Reload Button	105
....2.8 Exit Button	106
#3.0 Option Menu Dialog	107
....3.1 Reset Engine Button	108
....3.2 EEPROM Upload Button	109
....3.3 EEPROM Download Button	110
....3.4 RAM Check Button (Not supported)	111
....3.5 Set ID Button	112
....3.6 Exit Button	113
#4.0 Setup Dialog	114
E Multi-Purpose Feeder Maintenance	
1. PREFACE	115

Table of Contents

Page

....1.1 Functions	116
....1.2 External View and Component Names	117
2. MECHANISM DESCRIPTION - General Mechanism	118
....2.2 Hopper Mechanism	119
3. PARTS REPLACEMENT	120
....3.1 Precautions Concerning Parts Replacement	121
....3.2 Parts Layout	122
....3.3 Parts Replacement Methods	123
.....3.3.1 Link	124
.....3.3.2 Separator	125
.....3.3.3 OLEV-11 PCB	126
.....3.3.4 Pulse Motor	127
.....3.3.5 Planet Gear	128
.....3.3.6 Roller-A and B	129
4. TROUBLESHOOTING - Precautions Prior to the Troubleshooting	130
....4.2 Preparations for the Troubleshooting	131
....4.3 Troubleshooting Method	132
.....4.3.1 LCD Status Message List	133
5. CONNECTION DIAGRAM - Interconnection Diagram	134
....5.2 PCB Layout	135
6. PARTS LIST	136
F High Capacity Second Paper Feeder	
High Capacity Second Paper Feeder Maintenance	137
....1. OUTLINE - Functions	138
....1.2 External View and Component Names	139
2. MECHANISM DESCRIPTION - General Mechanism	140
....2.2 Hopper Mechanism	141
3. PARTS REPLACEMENT	142
....3.1 Precautions Concerning Parts Replacement	143
....3.2 Parts Layout	144
....3.3 Parts Replacement Methods	145
.....3.3.1 Pulse Motor (Hopping)	146
.....3.3.2 OLEV-12 PCB	147
.....3.3.3 Hopping Roller Shaft Assembly and One-way Clutch Gear	148
4. TROUBLESHOOTING - Precautions Prior to the Troubleshooting	149
....4.2 Preparations for the Troubleshooting	150
....4.3 Troubleshooting Method	151
.....#4.3.1 LCD Status Message List	152
5. CONNECTION DIAGRAM	153
....5.1 Interconnection Diagram	154
....5.2 PCB Layout	155

Table of Contents**Page**

6. PARTS LIST

156

OKIPAGE 6e and OKIPAGE 6ex consist of control and engine blocks in the standard configuration, as shown in Figure 1-1.

In addition, the options marked with asterisk (*) are available.

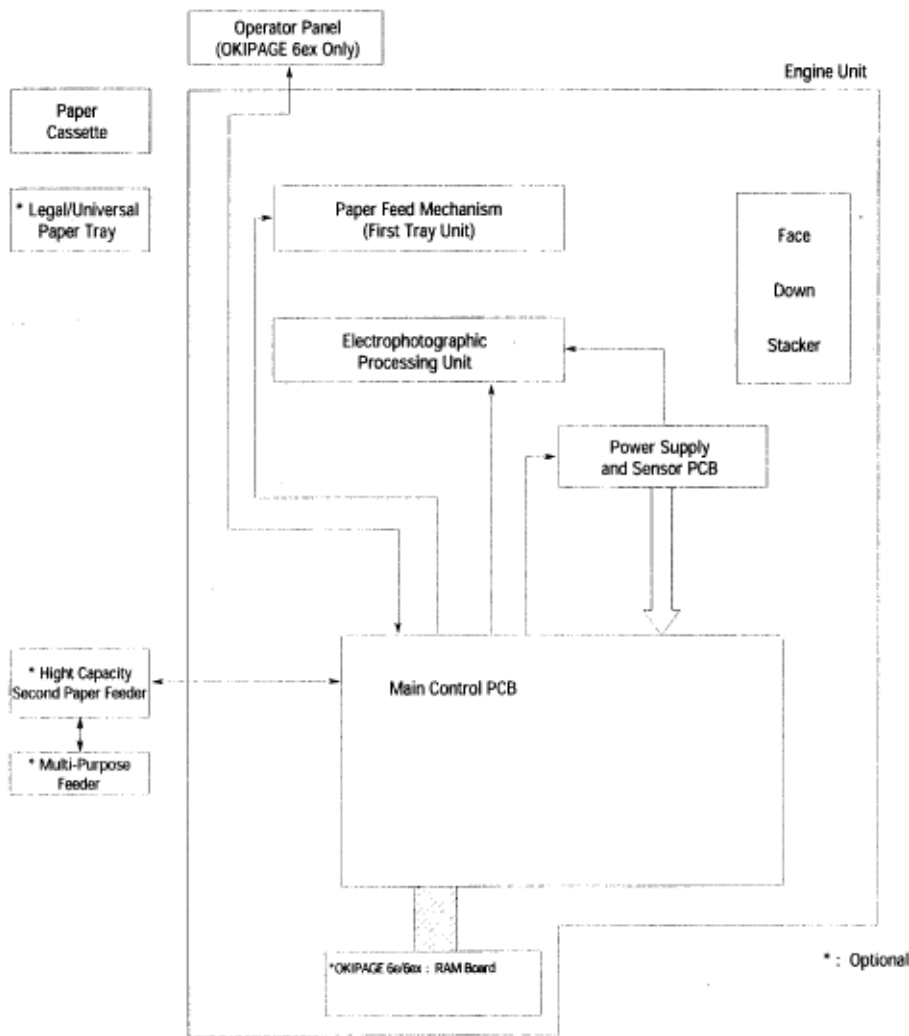


Figure 1.1



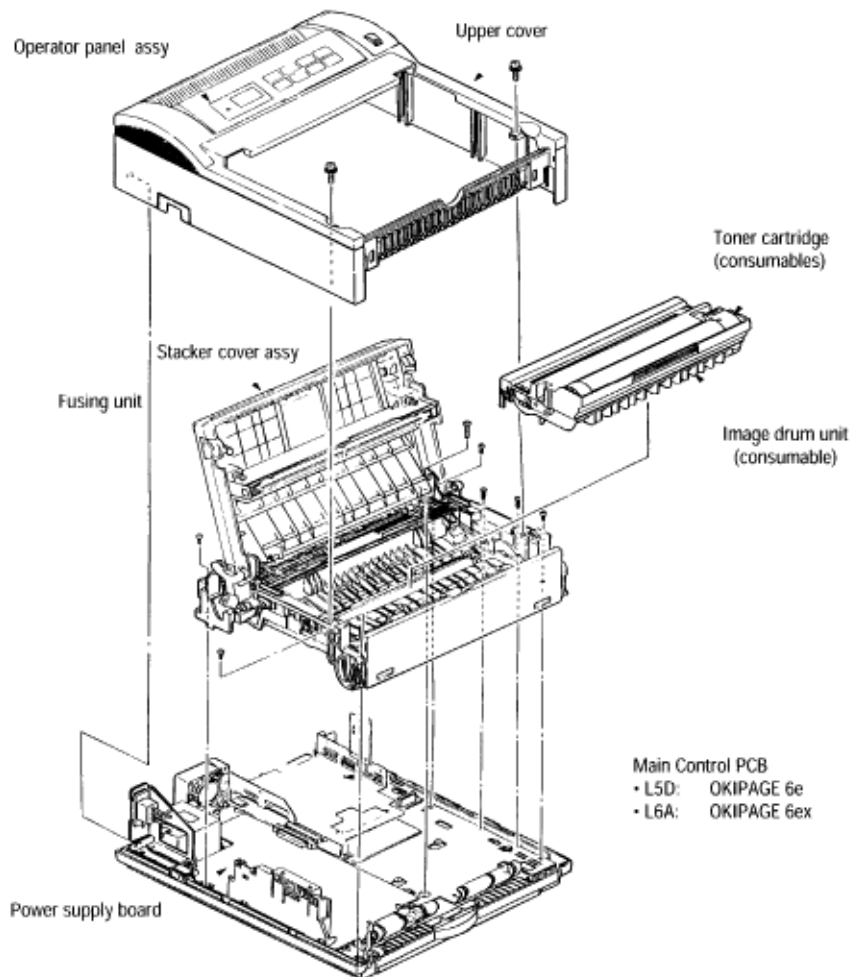
Service Guide OKIPAGE6e

Chapter 1 Configuration

The printer unit consists of the following hardware components:

- Electrophotographic Processor
- Paper Feeder
- Main Control PCB
- Operator Panel (OKIPAGE 6ex Only)
- Power Supply Unit

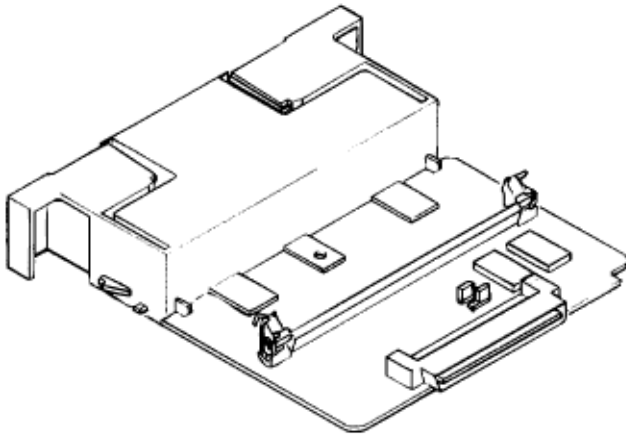
The printer unit configuration is shown in Figure 1-2.



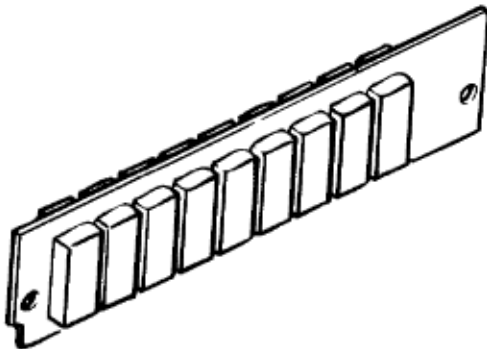
Partner Exchange (BPX) for any updates to this material. (<http://bpx.okidata.com>)

The options shown below are available for use with OKIPAGE 6e and OKIPAGE 6ex. These are available separately from the printer unit.

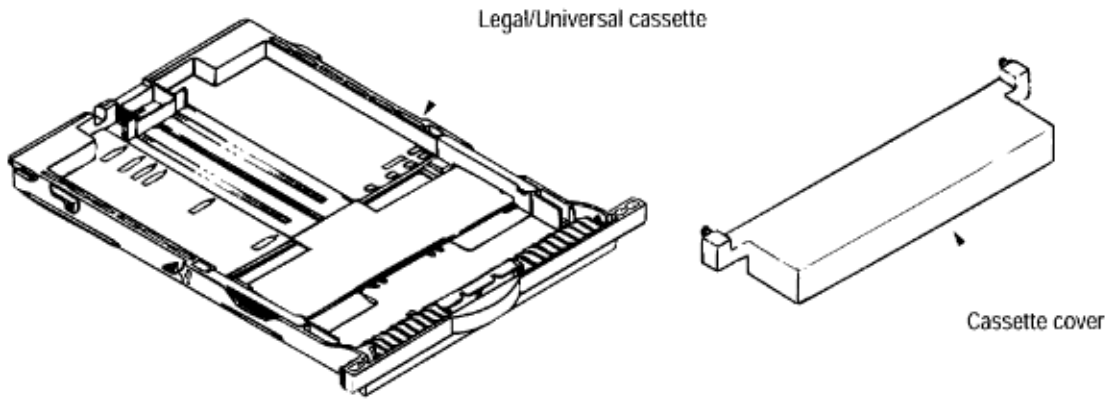
(1) 1MB Memory Expansion Board (OKIPAGE 6e/6ex)



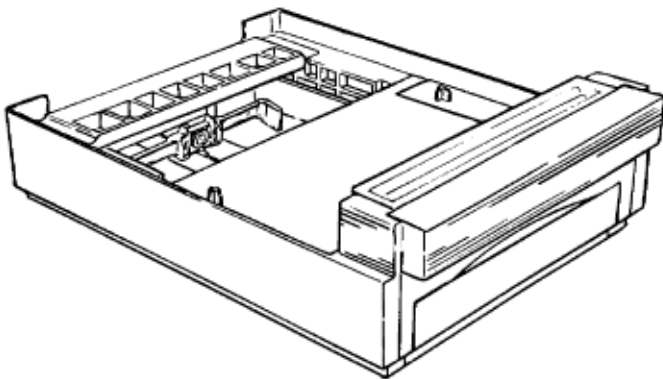
(2) SIMM Memory
OKIPAGE 6e :1/2/4/8/16 Mbyte
OKIPAGE 6ex :1/2/4/8/16/32 Mbyte



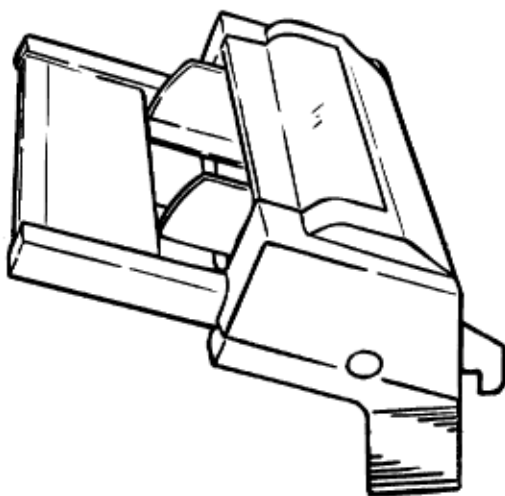
(3) Legal/Universal Paper Cassette/



(4) High Capacity Second Paper Feeder



(5) Multi-Purpose Feeder



Copyright 1997, Okidata, Division of OKI America, Inc. All rights reserved. See the OKIDATA Business Partner Exchange (BPX) for any updates to this material. (<http://bpx.okidata.com>)

External dimensions	Height 6.3" (160 mm) Width 12.6" (320 mm) Depth 14.17" (360 mm)
Weight	8 kg
Developing method	Dry electrophotography
Exposing method	LED stationary head
Paper used	<p><Type></p> <ul style="list-style-type: none"> ● Standard paper <ul style="list-style-type: none"> - Xerox 4200 (20 lbs) ● Application paper (manual face-up feed) <ul style="list-style-type: none"> - Label - Envelope - OHP paper (Transparency) <p><Size></p> <ul style="list-style-type: none"> ● Standard sizes <ul style="list-style-type: none"> - Letter (ODA) - Legal (option) - Executive - Envelope - A4 - A5 - B5 - A6 ● Applicable sizes <ul style="list-style-type: none"> - Width: 3.94" to 8.5" (100 to 216 mm) - Length: 5.83" to 14" (148 to 355.6 mm) <p><Thickness></p> <ul style="list-style-type: none"> ● Automatic feed: 16 to 24 lbs (60 to 90 g/m²) ● Manual feed: Label, OHP paper (transparency), Envelope
Printing speed	First print: 17 sec. Continuous print: 6 sheets/min. for letter size paper Warm-up time: 60 sec. [at room temperature 77°F (25°C) and rated voltage (120 VAC)]
Paper feeding method	Automatic feed or manual feed
Paper delivery method	Face down/face up
Resolution	300 x 300 dots/inch (OKIPAGE 6e) 600 x 600 dots/inch (OKIPAGE 6ex) 600 x 1200 dots/inch (OKIPAGE 6ex)
Power input	120 VAC +5.5%, -15% (ODA) 230 VAC +15%, -15% (ODA)

Power consumption	Peak: Approx. 420W Typical operation: Approx. 160W Idle: Approx. 55W Power save mode: Approx. 15W
Temperature and humidity	During operation: 50 to 90°F (10 to 32°C) In storage: 14 to 110°F (-10 to 43°C)
Noise	During operation: 48 dB (A) or less Standby: 38 dB (A) or less
Consumables	Toner cartridge kit 2,000 (5% duty) Image drum cartridge 20,000 (at continuous printing) 15,000 (3 pages/job) 10,000 (1 page/job)

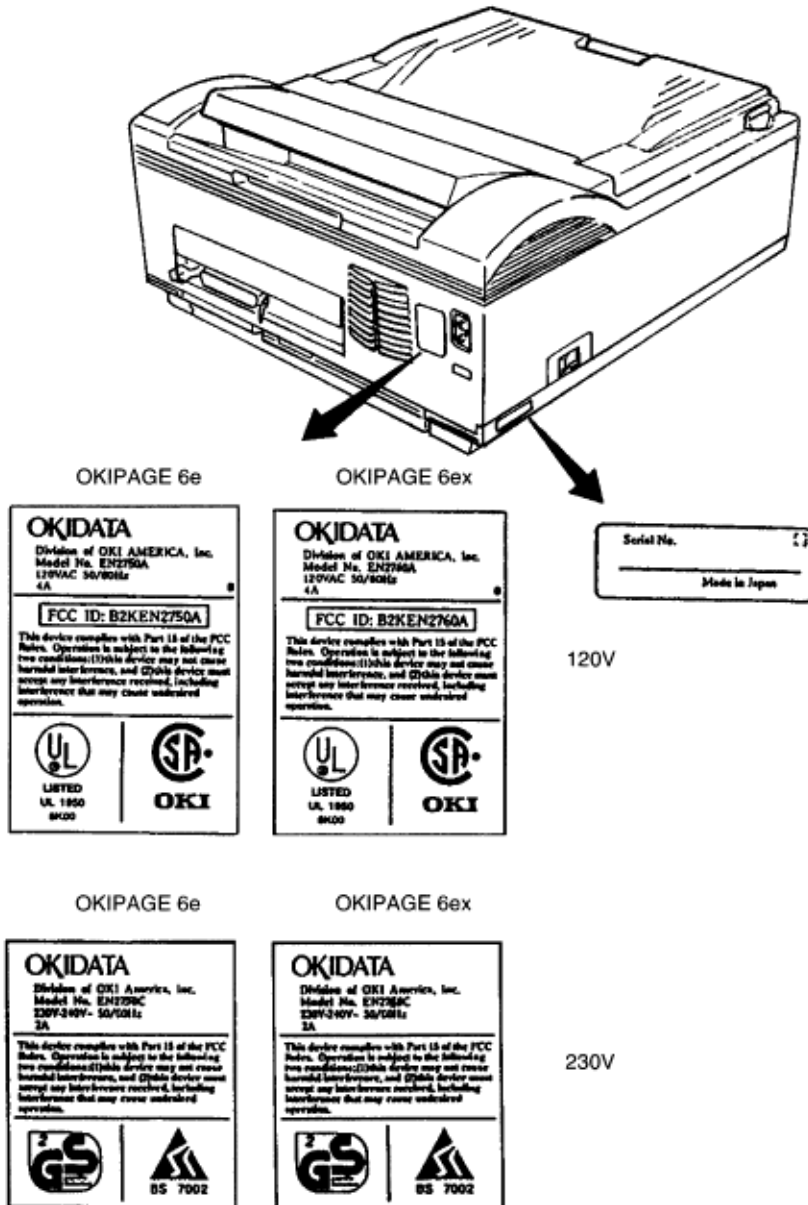
Copyright 1997, Okidata, Division of OKI America, Inc. All rights reserved. See the OKIDATA Business Partner Exchange (BPX) for any updates to this material. (<http://bpx.okidata.com>)



Service Guide OKIPAGE6e Chapter 1 Configuration

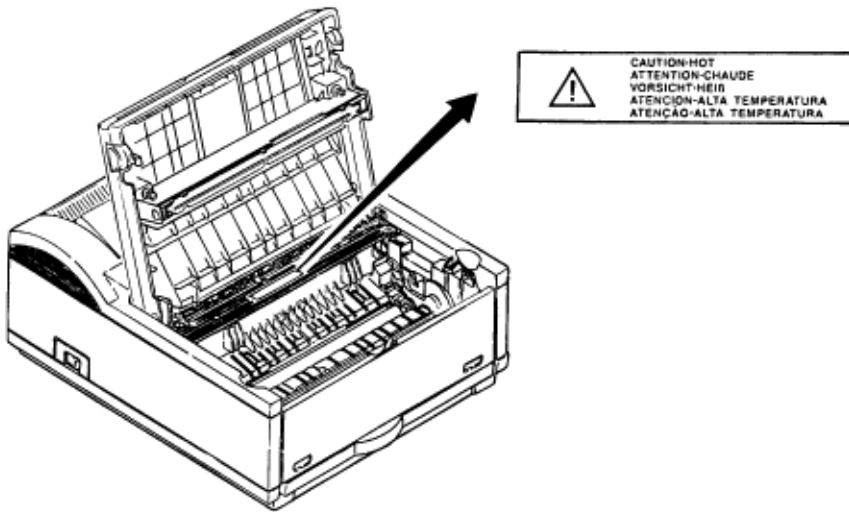
1.5.1 Certification Label

The safety certification label is affixed to the printer at the location described below.



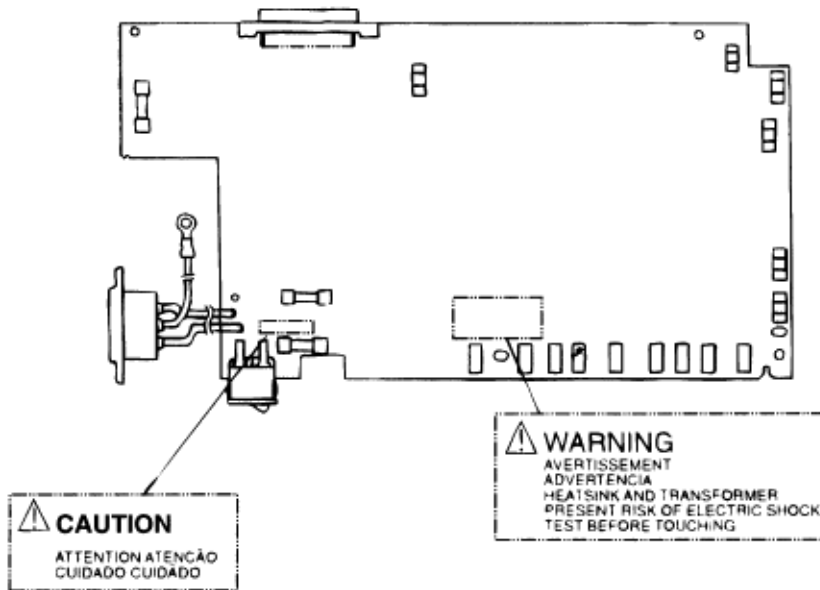
1.5.2 Warning Label

The warning labels are affixed to the sections which may cause bodily injury. Follow the instructions on warning labels during maintenance.



1.5.3 Warning/Caution Marking

The following warning and caution markings are made on the power supply board.



ENGLISH

Heatsink and transformer core present risk of electric shock. Test before touching.

FRENCH

Le dissipateur thermique et le noyau du transformateur présentent des risques de choc électrique. Testez avant de manipuler.

SPANISH

Las disipadores de calor y el núcleo del transformador pueden producir un choque eléctrico. Compruebe antes de tocar.

PORTUGUESE

O dissipador de calor e o núcleo do transformador apresentam risco de choque elétrico. Teste antes de focar.

ENGLISH

Circuits maybe live after fuses open.

FRENCH

Il se peut que les circuits soient sous tension une fois que les fusibles ont été retirés.

SPANISH

Las circuitos pueden estar activos una vez que se hayan abierto los fusibles.

PORTUGUESE

Os circuitos podem estar energizados após os fusíveis se queimarem.

Copyright 1997, Okidata, Division of OKI America, Inc. All rights reserved. See the OKIDATA Business Partner Exchange (BPX) for any updates to this material. (<http://bpx.okidata.com>)



Service Guide OKIPAGE6e

Chapter 2 Operation Description

OKIPAGE 6e, OKIPAGE 6ex consists of a Main Control PCB, a power supply/sensor board, a PostScript board (OKIPAGE 6ex), an operator panel and an electrophotographic process mechanism.

The soft operator panel is used for operation and status display of OKIPAGE 6e and OKIPAGE 6ex.

The operator panel is used for operation and status display of OKIPAGE 6ex.

The OKIPAGE 6e and OKIPAGE 6ex receive data via the host I/F, these then decode, edit and store the data in memory. Bit map image data is successively transferred to the LED head in one dot line units.

OKIPAGE 6e block diagram is shown in Figure 2-1.

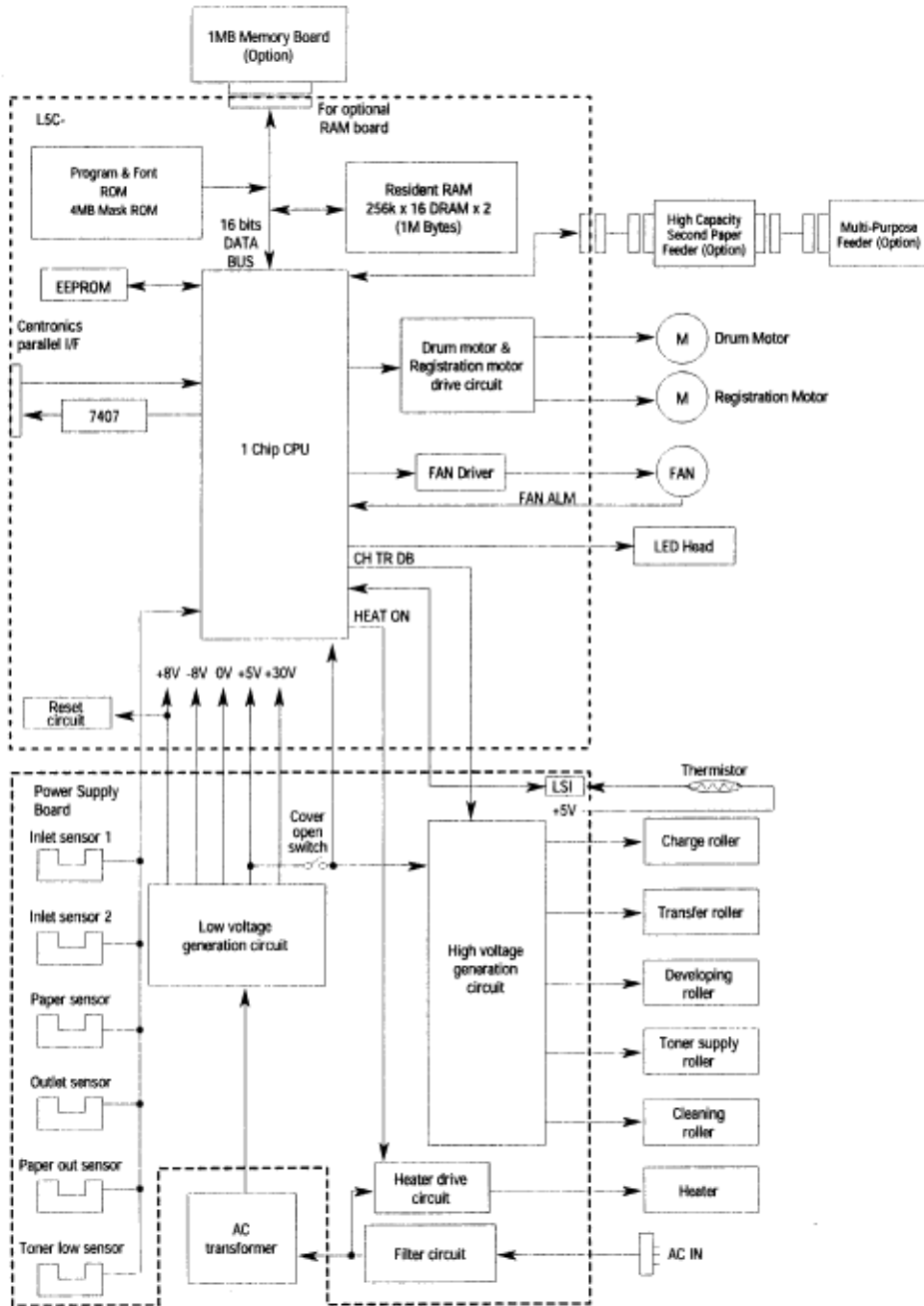
OKIPAGE 6ex block diagram is shown in Figure 2-2.

Copyright 1997, Okidata, Division of OKI America, Inc. All rights reserved. See the OKIDATA Business Partner Exchange (BPX) for any updates to this material. (<http://bpx.okidata.com>)



Service Guide OKIPAGE6e

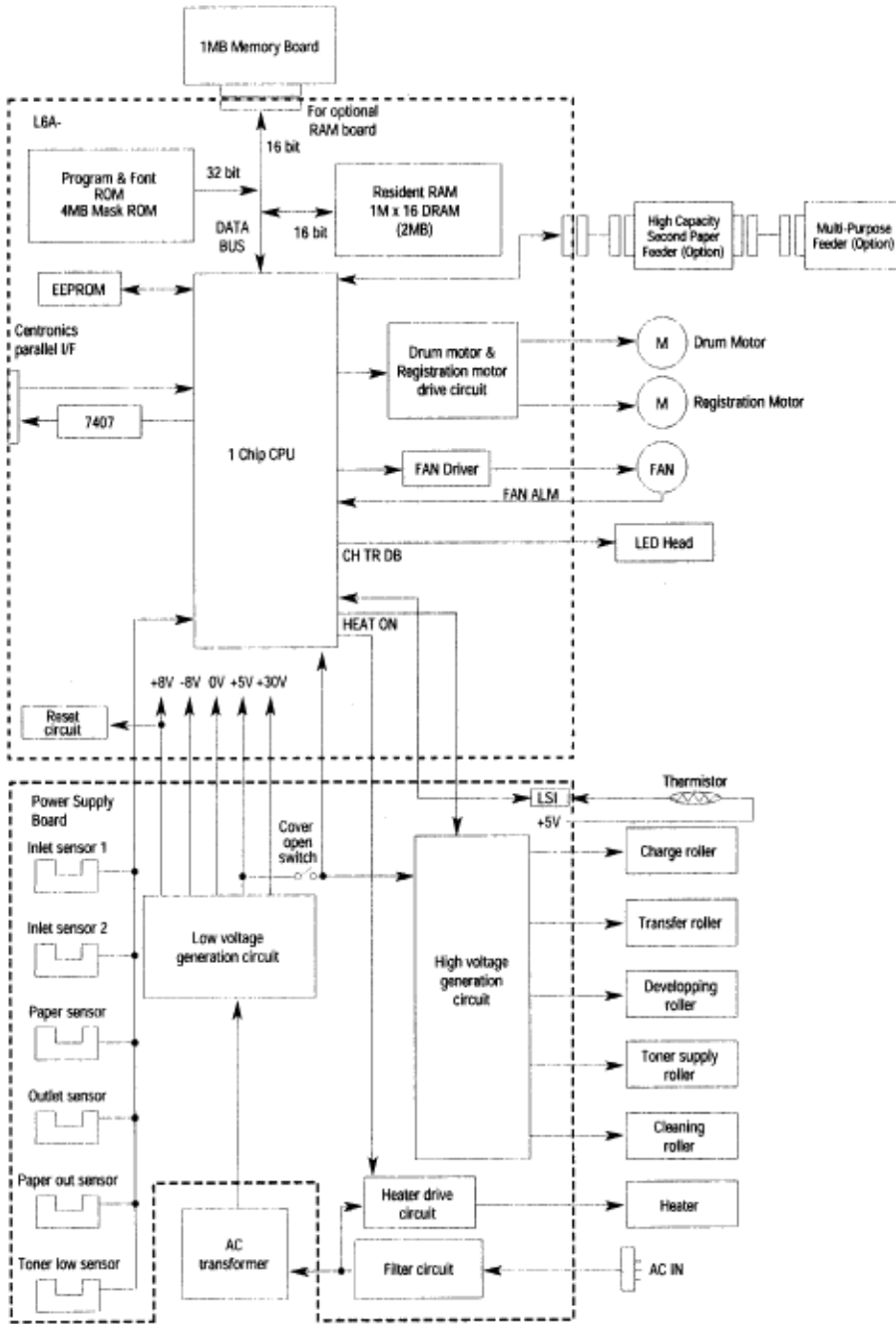
Chapter 2 Operation Description





Service Guide OKIPAGE6e

Chapter 2 Operation Description





Service Guide OKIPAGE6e

Chapter 2 Operation Description

The control board consists of a single chip CPU, Program & Font ROM's, one or two DRAMs, an EEPROM, a host interface circuit, and a mechanism driving circuit.

Single Chip CPU

The single chip CPU is a custom CPU (32-bit internal bus, 16-bit or 32-bit external bus, 25.54 MHz clock with input frequency from a 12.27 MHz clock) which incorporates the RISC CPU and its peripheral devices, and has the following functions:

Built-in device	Function
Chip select controller Bus controller DRAM controller	Control of ROM, DRAM and I/O device
DMA controller	Transfer of image data from DRAM to video output port
Parallel interface controller	Control of Centronics parallel interface
Video output port LED STB output port	Control of LED head
Timer	Generation of various control timing Monitoring of paper running and paper size
Serial I/O port	Control of operator panel, EEPROM, and options
I/O port	Input and output of sensor and motor signals

Program and Font ROM

The Program & Font ROM store the PCL5e emulation program and various types of fonts. Mask ROM is used for a Program & Font ROM. The mounting location of this Program & Font ROM varies depending on the type of ROM (for the mounting location see 7.2).

DRAM

The DRAM is a resident memory (OKIPAGE 6e: 1MB/OKIPAGE 6ex: 2MB) used as a buffer, and it stores edited data, image data, DLL data and macro data.

EEPROM

1,024 bit-Electrically Erasable PROM (EEPROM), is loaded with the following kinds of data:

- Menu data
- Various counter data (Page counter, Drum counter)
- Adjusting parameters (LED head drive time, print start position, paper feed length)

Parallel Interface

Parallel data is received from the host system via parallel interface which conforms to the Centronics specification. IEEE 1284 Bi-directional parallel is supported.



Service Guide OKIPAGE6e

Chapter 2 Operation Description

This board is not included in the current configuration of the product.

Copyright 1997, Okidata, Division of OKI America, Inc. All rights reserved. See the OKIDATA Business Partner Exchange (BPX) for any updates to this material. (<http://bpx.okidata.com>)



Service Guide OKIPAGE6e

Chapter 2 Operation Description

The RAM board consists of DRAM's and a SIMM socket.

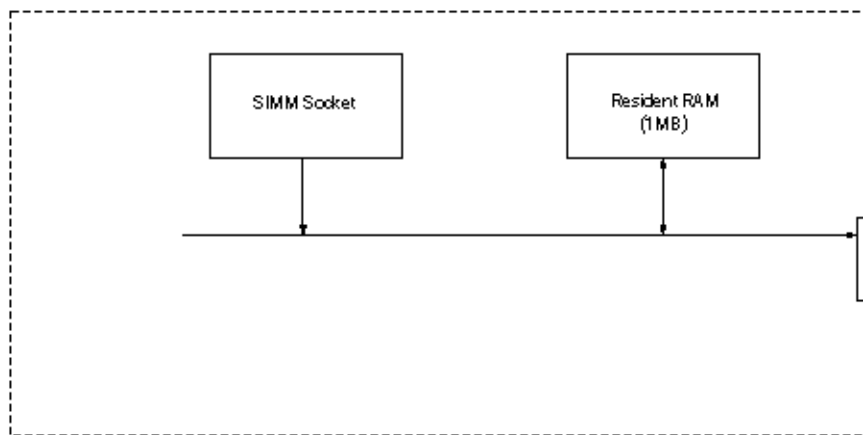
DRAM

1MB of DRAM's reside on the RAM board.

SIMM Socket

One SIMM socket is mounted on the RAM board.

RAM Board Block Diagram (Figure 2-4)





Service Guide OKIPAGE6e

Chapter 2 Operation Description

The power supply board consists of an AC filter circuit, a low voltage power supply circuit, a high voltage power supply circuit, heater drive circuit, and photosensors.

Low Voltage Power Supply Circuit

This circuit generates the following voltages.

Output Voltage	Use
+5 V	Logic circuit supply voltage
+30 V	Motor and fan drive voltage and source voltage for high-voltage supply
+8 V	Analog supply voltage
-8 V	PS board and analog circuit supply voltage

High Voltage Power Supply Circuit

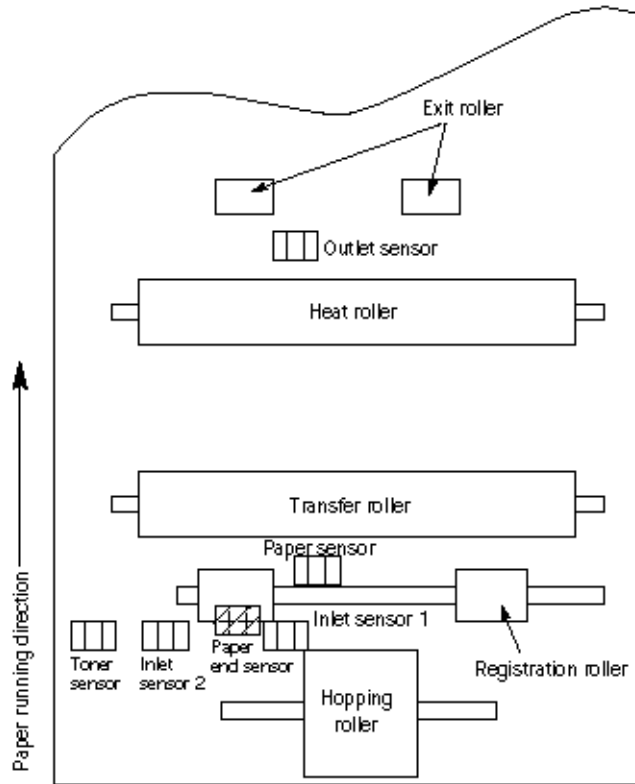
This circuit generates following voltages required for electrophotographic process from +5 V, according to the control sequence. The supply is interrupted automatically to stop the supply of all high-voltage outputs.

Output	Voltage	Use	Remarks
CH	-1.35 KV	Voltage applied to charging roller	
DB	-300 V/+300 V	Voltage applied to developing roller	
SB	-450 V/ 0 V	Voltage applied to toner supply roller	
TR	+500 V to +4 KV/-750 V	Voltage applied to transfer roller	Variable
CB	+400 V	Voltage applied to clearing roller	

Photosensor

The photosensor mounted on this power supply board monitors the paper running state during printing.

Sensor Layout Diagram (Figure 2-3)



Sensor Functions and StatusTable (Figure 2-5)

Sensor	Function	Sensing state
Inlet sensor 1	Detects the leading edge of the paper and gives the supervision timing for switching from hopping operation to feeding operation. Monitors paper feeding situation and paper size based on the paper arrival time and running time.	ON: Paper exists. OFF: No paper exists.
Inlet sensor 2	Detects the form width.	ON: A4 or larger OFF: Smaller than A4
Paper sensor	Detects the leading portion of the paper. Monitors the paper feeding situation.	ON: Paper exists.
OFF: No paper exists.	Outlet sensor	Monitors the paper feeding and size according to the time of arrival to and leaving past the sensor.
ON: Paper exists. OFF: No paper exists.	Paper end sensor	Detects the end of the paper.
ON: Paper exists. OFF: No paper exists.	Toner low sensor	Detects the lack of toner.

Copyright 1997, Okidata, Division of OKI America, Inc. All rights reserved. See the OKIDATA Business Partner Exchange (BPX) for any updates to this material. (<http://bpx.okidata.com>)

This mechanism actuates the printing of image data supplied by the control board on the paper by electrophotographic process.

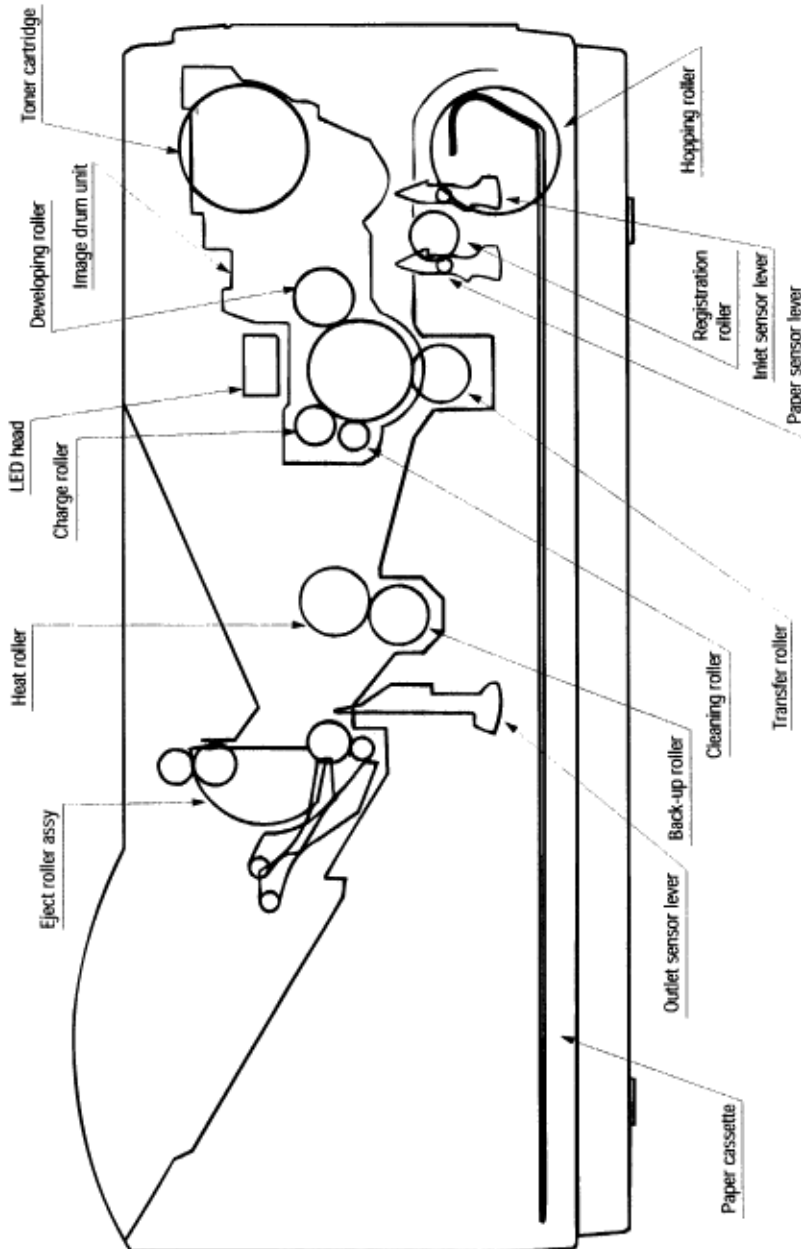


Image Drum Unit

The image drum unit consists of a sensitive drum, a charger, and a developer. The unit forms a toner image on the sensitive drum, using an electrostatic latent image formed by the LED head.

Registration Motor

The registration motor is a pulse motor of 48 steps/rotation, that is two-phase excited by the signal from the Main Control PCB. It drives the hopping and registration rollers via two one-way clutches according to the direction of rotation.

Drum Motor

The drum motor is a pulse motor of 48 steps/rotation that is two-phase excited by the signal from the Main Control PCB and is the main motor of this mechanism.

LED Head

Image data for each dot line from the control board is received by the shift register and latch register. The 2496 LED's (OKIPAGE 6e)/4992 LED's (OKIPAGE 6ex) are driven to radiate the image data on the image drum.

Fuser

The fuser consists of a heater, a heat roller, a thermistor and a thermostat.

The AC voltage from the power supply board is applied to the heater controlled by the HEATON signal from the control board. This AC voltage heats the heater. The Main Control PCB monitors the heat roller temperature via the thermistor, and regulates the heater roller to a predetermined temperature (165°C) by connecting or disconnecting the AC voltage supply to the heater.

When an abnormal rise of the heater roller temperature takes place, the thermostat of the heater voltage supply circuit becomes active and forcibly cuts the AC voltage supply.

Copyright 1997, Okidata, Division of OKI America, Inc. All rights reserved. See the OKIDATA Business Partner Exchange (BPX) for any updates to this material. (<http://bpx.okidata.com>)

The electrophotographic processing is outlined below.

The electrophotographic printing process is shown in Figure 2-7.

The electrophotographic process timing chart is shown in Figure 2-8.

Charging

The surface of the image drum is charged uniformly with a negative charge by applying the negative voltage to the charge roller.

Exposure

Light emitted from the LED head irradiates the negatively charged surface of the image drum. The surface potential of the irradiated portion of the image drum surface becomes lower, forming the electrostatic latent image associated with the print image.

Developing and Toner Recovery

When the negatively charged toner is brought into contact with the image drum, it is attracted to the electrostatic latent image by static electricity, making the image visible.

At the same time, the residual toner on the image drum is attracted to the developing roller by static electricity.

Transfer

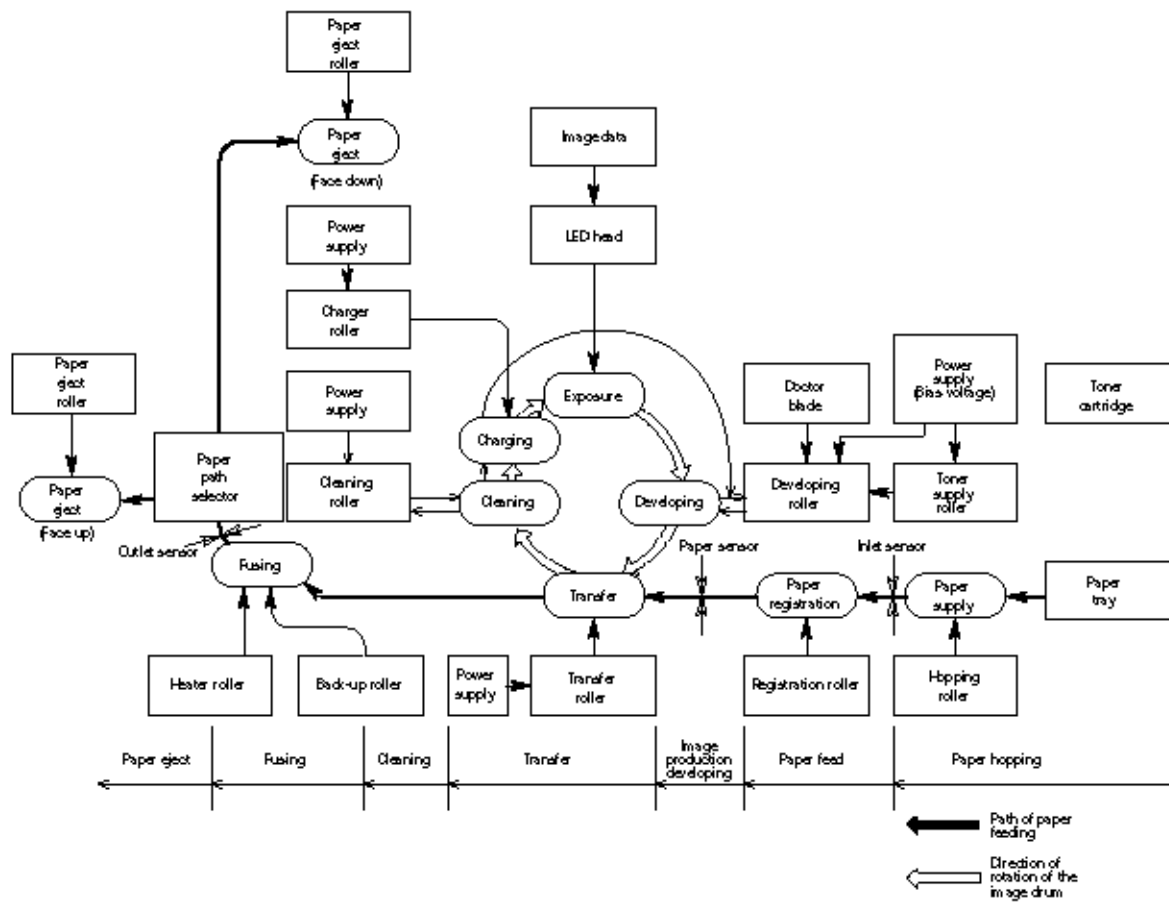
When paper is placed over the image drum surface, the positive charge which is opposite in polarity to that of the toner, is applied to the reverse side by the transfer roller. The toner is attracted by the positive charge and is transferred onto the paper. This results in the transfer of the toner image formed on the image drum onto the paper.

Temporary Cleaning

Residual toner which remains on the image drum without being transferred is evened out by the cleaning roller and is temporarily attracted to the cleaning roller by static electricity.

Fusing

The toner image transferred onto the paper is fused to the paper by heat and pressure.



Electrophotographic Process Timing Chart (Figure 2-8)

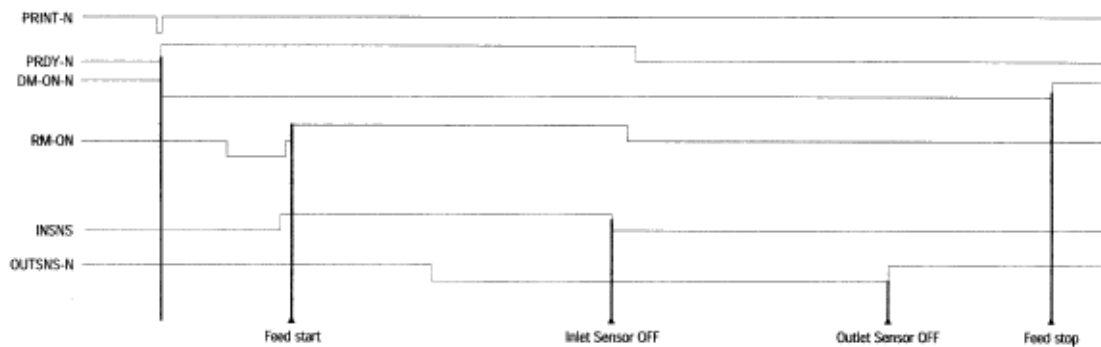
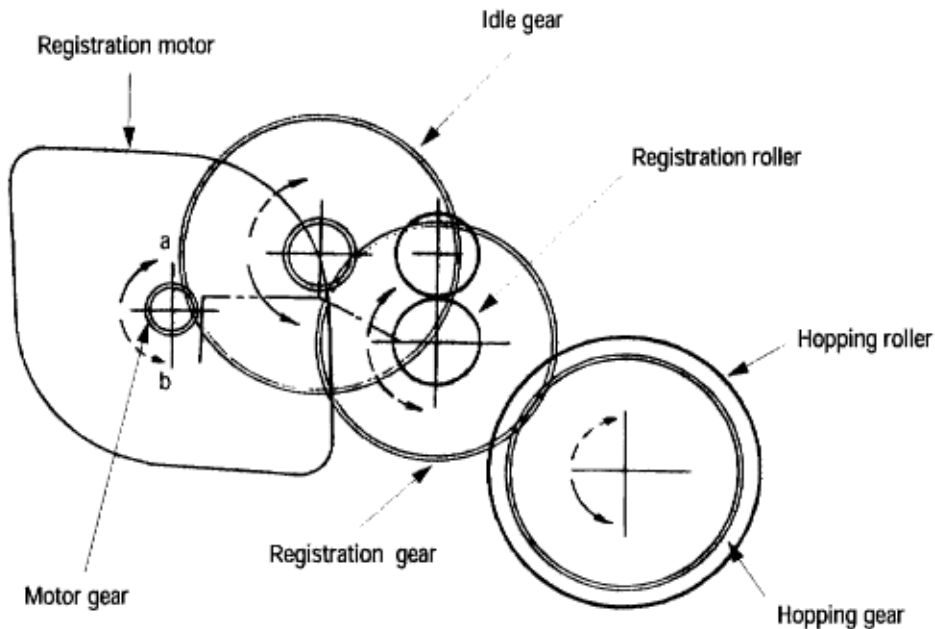


Figure 2-8

Copyright 1997, Okidata, Division of OKI America, Inc. All rights reserved. See the OKIDATA Business Partner Exchange (BPX) for any updates to this material. (<http://bpx.okidata.com>)

Hopping and Feeding

Hopping and feeding motions are actuated by a single registration motor in the mechanism as shown below:



The registration motor turning in direction "a" drives the hopping roller. The registration motor turning in direction "b" drives the registration roller. The registration and hopping gears have one-way bearing, so turning any of these gears in the reverse direction will not transmit the motion to the corresponding roller.

Hopping

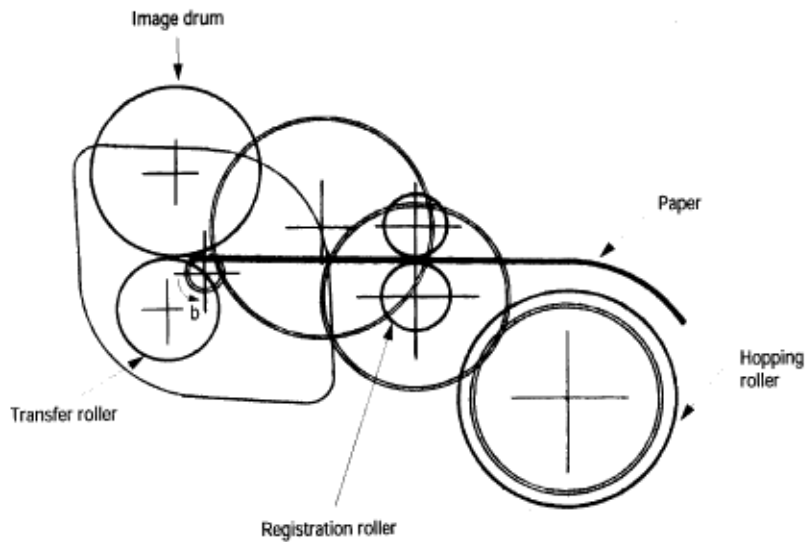
1. For hopping, the registration motor turns in direction "a" (CW direction) and drives the hopping roller to advance the paper until the inlet sensor turns on (in this case, the registration gear also turns, but the registration roller is prevented from turning by the one-way bearing).
2. After inlet sensor is turned on by the paper advance, the paper is further advanced to a predetermined distance until the paper hits the registration roller (the skew of the paper can thus be corrected).

Feeding

1. When hopping is completed, the registration motor turning in direction "b" (CCW direction) drives the registration roller to advance the paper (in this case, the hopping gear also turns, but the hopping

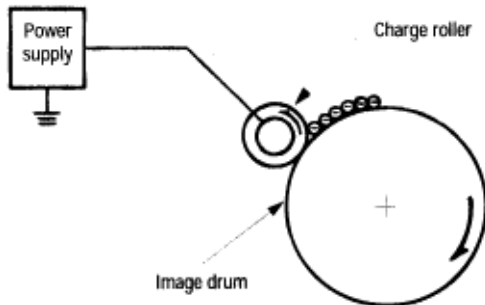
roller is prevented from turning by the one-way bearing).

2. The paper is further advanced, synchronization to the print data.

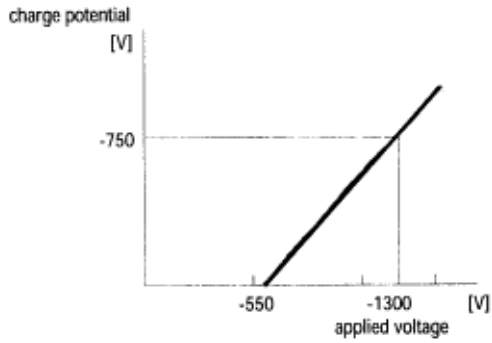


Charging

Charging is actuated by the application of the DC voltage to the charge roller that is in contact with the image drum surface.

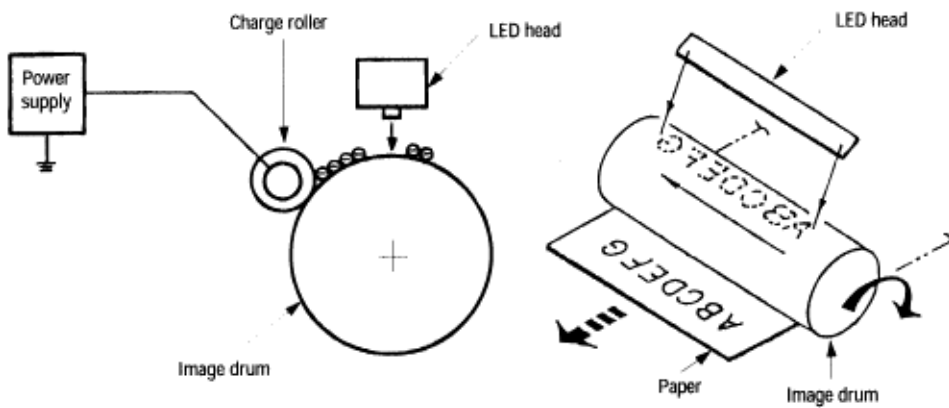


The charge roller is composed of two layers, a conductive layer and a surface protective layer, both having elasticity to secure good contact with the image drum. When the DC voltage applied by the power supply exceeds the threshold value, charging begins. The applied voltage is proportional to the charge potential, with offset of approximately -550V.

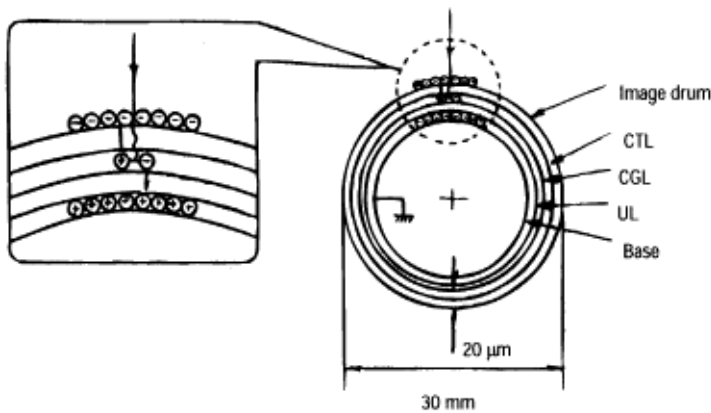


Exposure

Light emitted by the LED head irradiates the image drum surface with a negative charge. The surface potential of the irradiated portion of the image drum drops, forming an electrostatic latent image associated with the image signal.



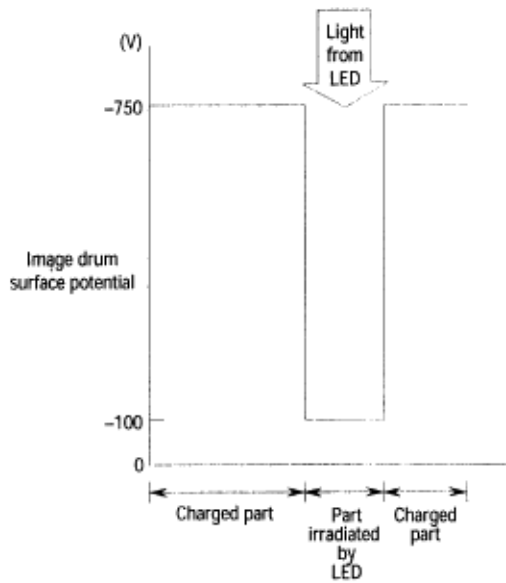
The image drum is coated with an underlayer (UL), a carrier generation layer (CGL), and carrier transfer layer (CTL) on aluminum base. The organic photo-conductor layer (OPC), comprising CTL and CGL, is about 20 μm thick.



The image roller surface is charged to about -750 V by the contact charge of the charge roller.

When the light from the LED head irradiates the image drum surface, the light energy generates positive and negative carriers in the CGL. The positive carriers are moved to the CTL by an electrical field acting on the image drum. Likewise, the negative carriers flow into the aluminum layer (ground).

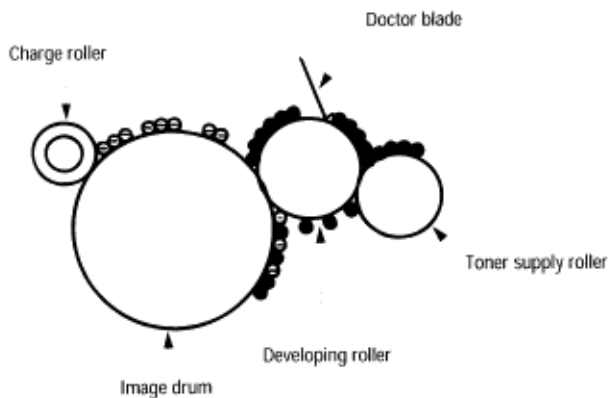
The positive carriers moved to the CTL combine with the negative charges on the image drum surface accumulated by the contact charge of the charge roller, lowering the potential on the image drum surface. The resultant drop in the potential of the irradiated portion of the image drum surface forms an electrostatic latent image on it. The irradiated portion of the image drum surface is kept to about -100 V.



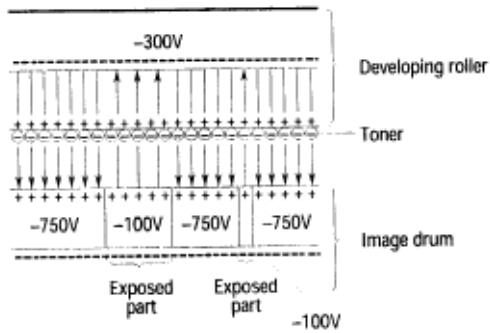
Developing

Toner is attracted to the electrostatic latent image on the image drum surface, converting it into a visible toner image. Developing takes place through the contact between the image drum and the developing roller.

1. As the toner supply roller rotates while rubbing on the developing roller, a friction charge is generated between the developing roller and the toner, allowing the toner to be attracted to the developing roller (the developing roller surface is charged positive and the toner, negative).

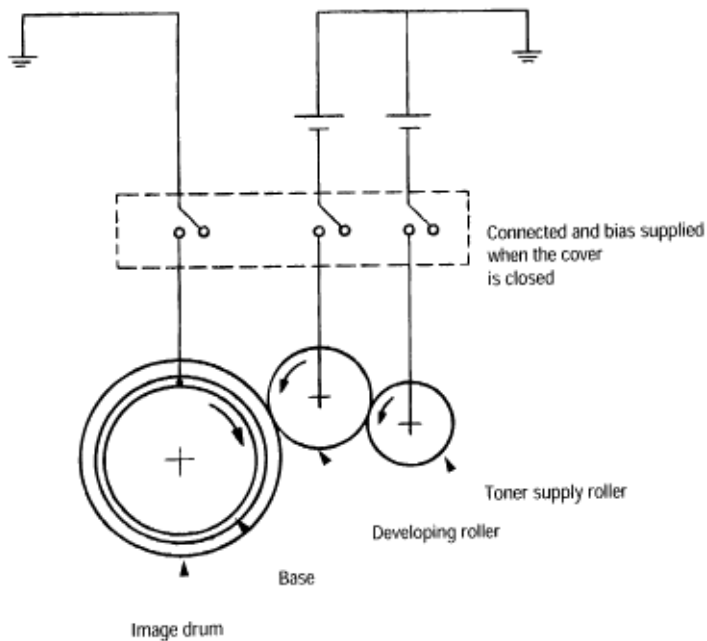


2. The toner attracted to the developing roller is scraped off by the doctor blade, forming a thin coat of toner on the developing roller surface.
3. Toner is attracted to the exposed portion (low-potential part) of the image drum at the contact of the image drum and the developing roller, making the electrostatic latent image visible



An illustration of activities at the contact point of the image drum surface and the developing roller (arrow marks denote the direction of the electric field).

Note: The bias voltage required during the developing process is supplied to the toner supply roller and the developing roller, as shown in the diagram below. -450 VDC is supplied to the toner supply roller, -300 VDC to the developing roller.

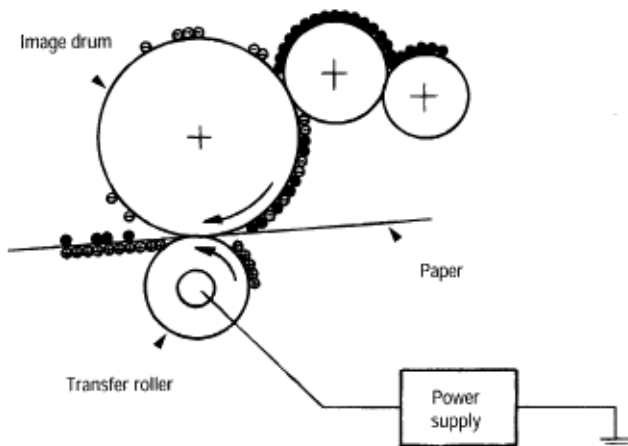


Transfer

The transfer roller is composed of conductive sponge material, and is designed to get the image drum surface and the paper in a close contact.

Paper is placed over the image drum surface, and the positive charge, opposite in polarity to that of the toner, is applied to the paper from the reverse side.

The application of a high positive voltage from the power supply to the transfer roller causes the positive charge inducement on the transfer roller surface, transferring the charge to the paper as it contacts the transfer roller. The toner with negative charge is attracted to the image drum surface, and it is transferred to the upper side of the paper due to the positive charge on the reverse side of the paper.

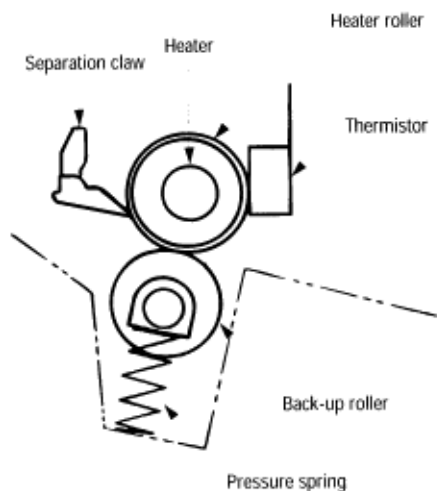


Fusing

When the image transfer is completed, the toner image is fused to the paper by heat and pressure as the paper with unfused toner image passes between the heater roller and the back-up roller. The heater roller with Teflon coating incorporates a 400W heater (Halogen lamp), which heats the heat roller.

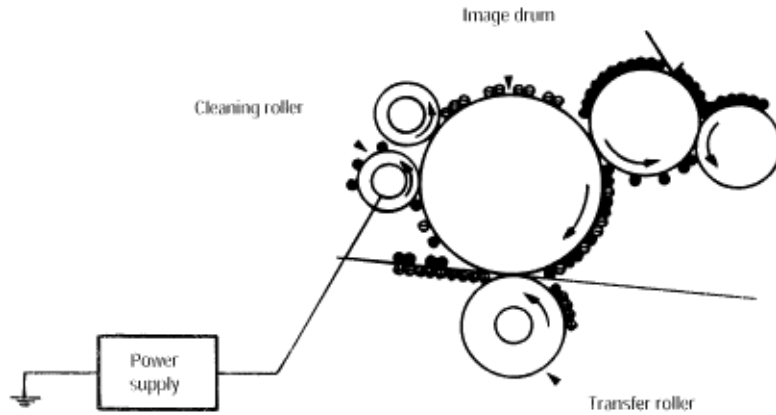
A thermistor which is in contact with the heater roller regulates the temperature of the heater roller at a predetermined level (about 165°C). A safety thermostat cuts voltage supply to the heater off by opening the thermostat in the event of abnormal temperature rises.

The back-up roller is held under a pressure of 3.8 kg applied by the pressure spring on each side.



Cleaning

When the transfer is completed, the residual toner left on the image drum is attracted to the cleaning roller temporarily by static electricity, and the image drum surface is cleaned.



Cleaning of rollers

The charge, transfer and cleaning rollers are cleaned for the following cases:

- Warming up when the power is turned on.
- Warming up after the opening and closing of the cover.
- When the number of sheets accumulated reaches 10 or more, and the printout operation ends.
- User initiated.

Changes in bias voltage applied to each roller moves the attaching toner off the roller to the image drum and returns it to the developer.

Copyright 1997, Okidata, Division of OKI America, Inc. All rights reserved. See the OKIDATA Business Partner Exchange (BPX) for any updates to this material. (<http://bpx.okidata.com>)

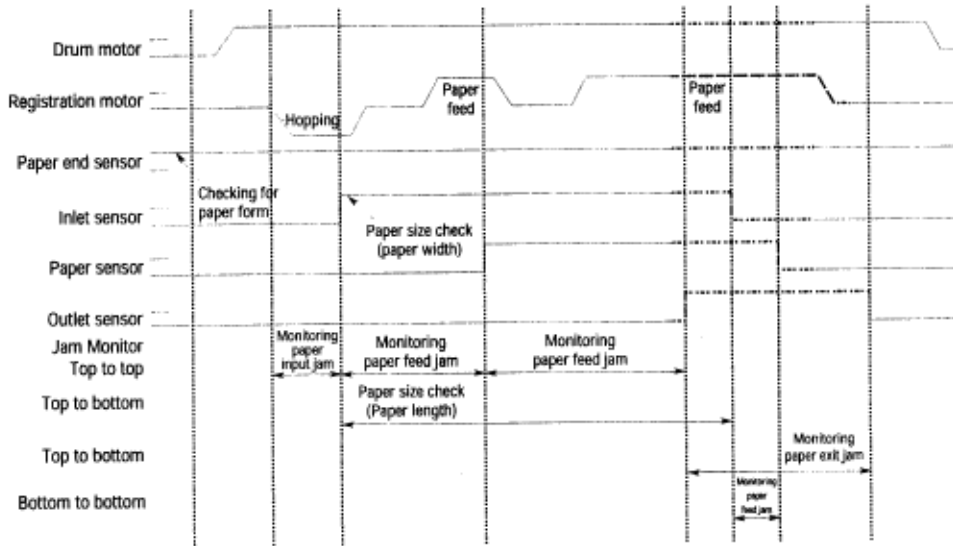
Service Guide OKIPAGE6e

Chapter 2 Operation Description

The paper jam detection function monitors the paper condition when the power is turned on and during printing. When any of the following conditions arises, this function interrupts the printing process. If any of the following errors is encountered, printing can be recovered by removing the jammed paper (by opening the upper cover, removing the jammed paper and closing the upper cover).

Error	Cause of error
Paper input jam	<ul style="list-style-type: none"> ● The paper is in contact with the inlet sensor when the power is turned on. ● After hopping operation is attempted three times, the leading edge of the paper does not reach the inlet sensor.
Paper feed jam	<ul style="list-style-type: none"> ● The paper is in contact with at the paper sensor when the power is turned on. ● The leading edge of the paper does not reach the paper sensor within a predetermined distance since the paper has reached the inlet sensor. ● The trailing edge of the paper does not pass over the paper sensor within a predetermined distance after the same has passed over the inlet sensor. ● The leading edge of paper does not reach the outlet sensor within a predetermined distance after the paper has reached the paper sensor.
Paper exit jam	<ul style="list-style-type: none"> ● The paper is in contact with the outlet sensor when the power is turned on. ● The paper does not pass over the outlet sensor within a predetermined distance after the leading edge of the paper has reached the outlet sensor. ● The paper size check for manual feeding finds that the paper size is free size.
Paper size error	<ul style="list-style-type: none"> ● The size of the paper is monitored by the inlet sensor 1. The paper is not detected by the inlet sensor 1 within predetermined distance. ● The inlet sensor 2 detects that the size of the loaded paper is A4 or larger, or smaller than A4. The detected paper size differs from the paper size set by command or menu. ● The paper size check for manual feeding finds that the paper size is free size.

Paper Feed Timing Chart



Type of error	Monitor	Standard value	Error Plus	Minus Error
Paper feed error	Hopping start to Inlet sensor on	72.0	36.0	-
Paper feed jam	Inlet sensor on to Write sensor on	20.0	20.0	-
Paper feed jam	Write sensor on to Outlet sensor on	140.5	25.0	-
Paper size error	Inlet sensor on to Inlet sensor off	Depends on the paper length	45.0	45.0
Paper exit jam	Outlet sensor on to Outlet sensor off	Depends on the paper length	45.0	45.0
Paper feed jam	Inlet sensor off to Write sensor off	22.2	22.0	-

Unit : mm

Note: Hyphen "-" in the table represent "no check is done."

Paper Length List

Type	Paper length	Check range Min.	Check range Max.
A4	297.0	252.0	342.0
A5	210.0	165.0	255.0
B5	257.0	212.0	302.0
LETTER	279.4	234.4	324.4
LEGAL 13	330.2	285.2	375.2
LEGAL 14	355.6	310.6	400.6
EXEC	266.7	221.7	311.7
A6	148.0	103.0	193.0
Monarch	190.5	145.5	235.5
COM-9	225.4	180.4	270.4
COM-10	241.3	196.3	286.3
DL	220.0	175.0	265.0
C5	229.0	184.0	274.0
Free	110.0 ~ 355.6	65.0	400.6

Unit : mm

Copyright 1997, Okidata, Division of OKI America, Inc. All rights reserved. See the OKIDATA Business Partner Exchange (BPX) for any updates to this material. (<http://bpx.okidata.com>)



Service Guide OKIPAGE6e

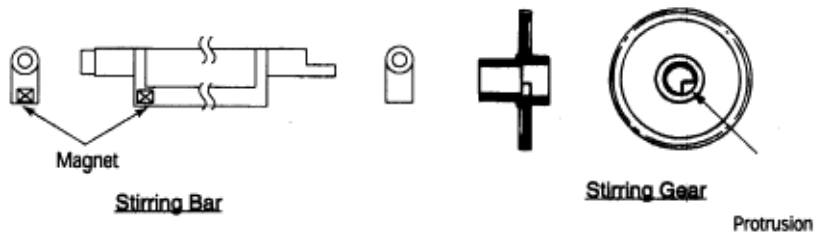
Chapter 2 Operation Description

When the stacker cover is opened, the cover open microswitch on the power/sensor board is turned off to cut +5V supply to the high voltage power supply circuit. This results in the interruption of all high-voltage outputs. At the same time, the CVOPN signal is sent to the control board to notify that the microswitch is off, and the control board carries out the cover open process.

Copyright 1997, Okidata, Division of OKI America, Inc. All rights reserved. See the OKIDATA Business Partner Exchange (BPX) for any updates to this material. (<http://bpx.okidata.com>)

Device

The Toner Low Detection device consists of a stirring gear which rotates at a constant rate, a stirring bar and a magnet on the stirring bar. The stirring bar rotation is driven by the link to the protrusion in the stirring gear.



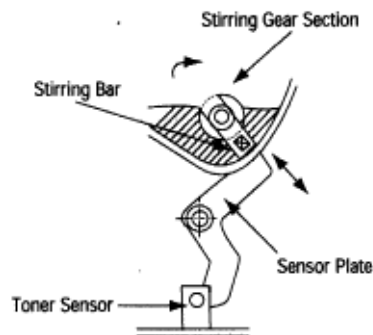
Operation

Toner Low is detected by monitoring the time interval of the encounter of the magnet set on the sensor lever and the magnet on the stirring bar.

Operation during Toner Full state

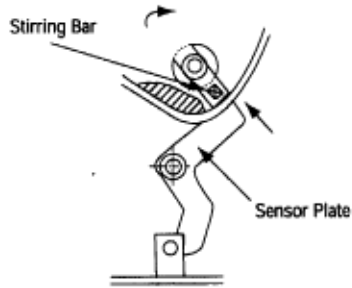
The stirring bar is rotated due to the mechanical transmission of energy originating from the interlocking with the stirring gear.

Even when the magnet on the stirring bar reaches the maximum height, the stirring bar is pushed by the stirring gear, since the other end is being dipped in the toner.



Operation during Toner Low state

When the stirring bar reaches the maximum height, it falls to the minimum height due to its own weight, since there is no resistance provided by the toner on the other side. Because of this, the time interval during which it is in encounter with the magnet of the sensor lever becomes longer. By monitoring this time interval, Toner Low can be detected.



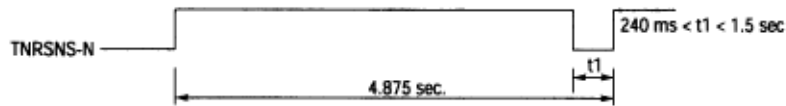
When the Toner Low state is detected 2 times consecutively, Toner Low is established.

When the Toner Full state is detected 2 times consecutively, Toner Low is canceled.

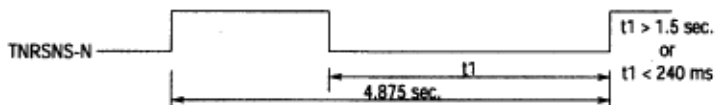
When there is no change with the toner sensor for 2 cycles (4.875 sec. x 2) or more, then the Toner Sensor Alarm is activated.

The toner sensor is not monitored while the drum motor is in halt.

TONER FULL State Diagram



TONER LOW State Diagram



The section explains the procedures for replacement of parts, assemblies, and units in the field. Only the disassembly procedures are explained here. For reassembly, reverse the steps of disassembly procedure.

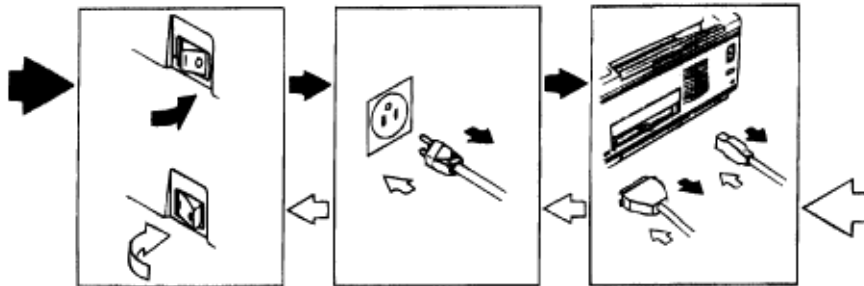
(1) Before starting the parts replacement, remove the AC power cord and interface cable.

(a) Remove the AC power cord in the following sequence:

- i) Turn off ("o") the power switch of the printer.
- ii) Disconnect the AC inlet plug of the AC power cord from the AC receptacle.
- iii) Disconnect the AC power cord and interface cable from the printer.

(b) Reconnect the printer in the following sequence.

- i) Connect the AC power cord and interface cable to the printer.
- ii) Connect the AC inlet plug to the AC receptacle.
- iii) Turn on ("I") the power switch of the printer.



(2) Do not try to disassemble as long as the printer is operating normally.

(3) Do not remove parts which do not need to be touched; try to keep the disassembly to a minimum.

(4) Use specified service tools.

(5) When disassembling, follow the procedure in sequence laid out in this manual. Parts may be damaged if these sequences are not followed.

(6) Since screws, collars and other small parts are likely to be lost, they should temporarily be attached to the original positions during disassembly.







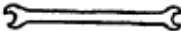



(7) When handling IC's such as microprocessors, ROM's and RAM's, or circuit boards, do not wear gloves that are likely to generate static electricity.

(8) Do not place printed circuit boards directly on the equipment or floor.

[Service Tools]

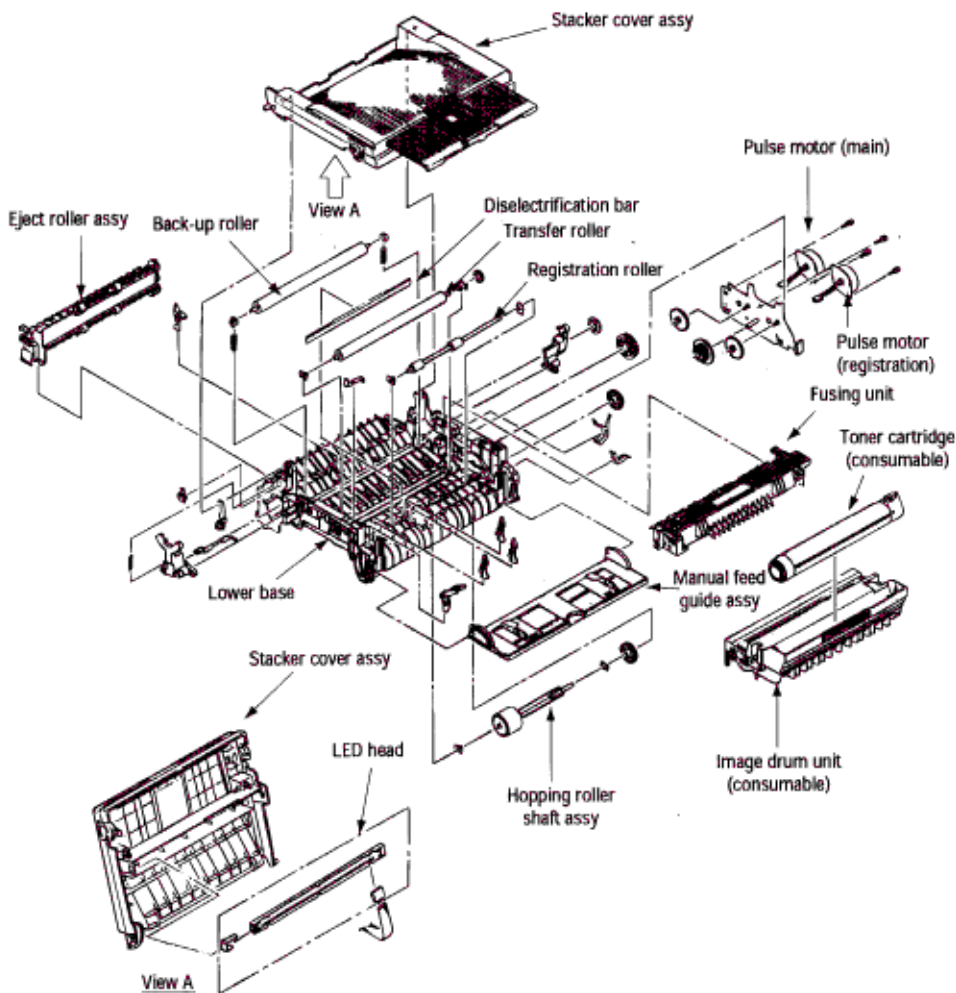
The tools required for field replacement of printed circuit boards and units are listed in Table 3-1.

Table 3-1 Service Tools

No.	Service Tools	Q' ty	Place of use	Remarks
1	 No. 1-100 Philips screwdriver	1	2-2.5 mm screws	
2	 No. 2-100 Philips screwdriver	1	3-5 mm screws	
3	 No. 3-100 screwdriver	1		
4	 No. 5-200 screwdriver	1		
5	 Digital multimeter	1		
6	 Pliers	1		
7	 5.0 mm wrench	1		
8	 Vacuum (with toner filter)	1		
9	 LED Head cleaner	1	Cleans LED head	
10	 Maintenance Utility	1	Adjustment of printer, etc.	OKIPAGE 6e OKIPAGE 6ex

This section describes the layout of main parts of the equipment.

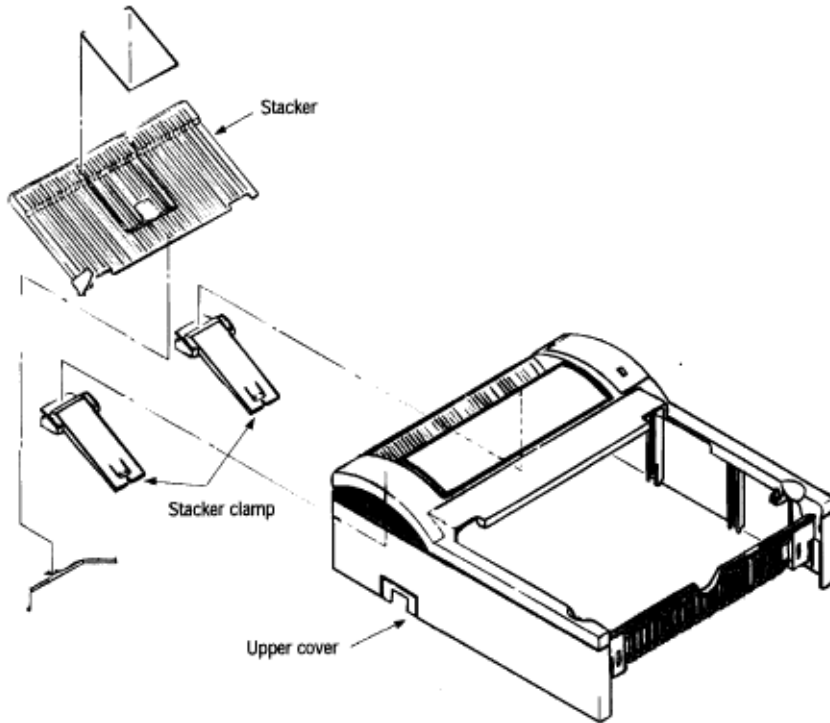
[Lower base unit]





Service Guide OKIPAGE6e

Chapter 3 Parts Replacement

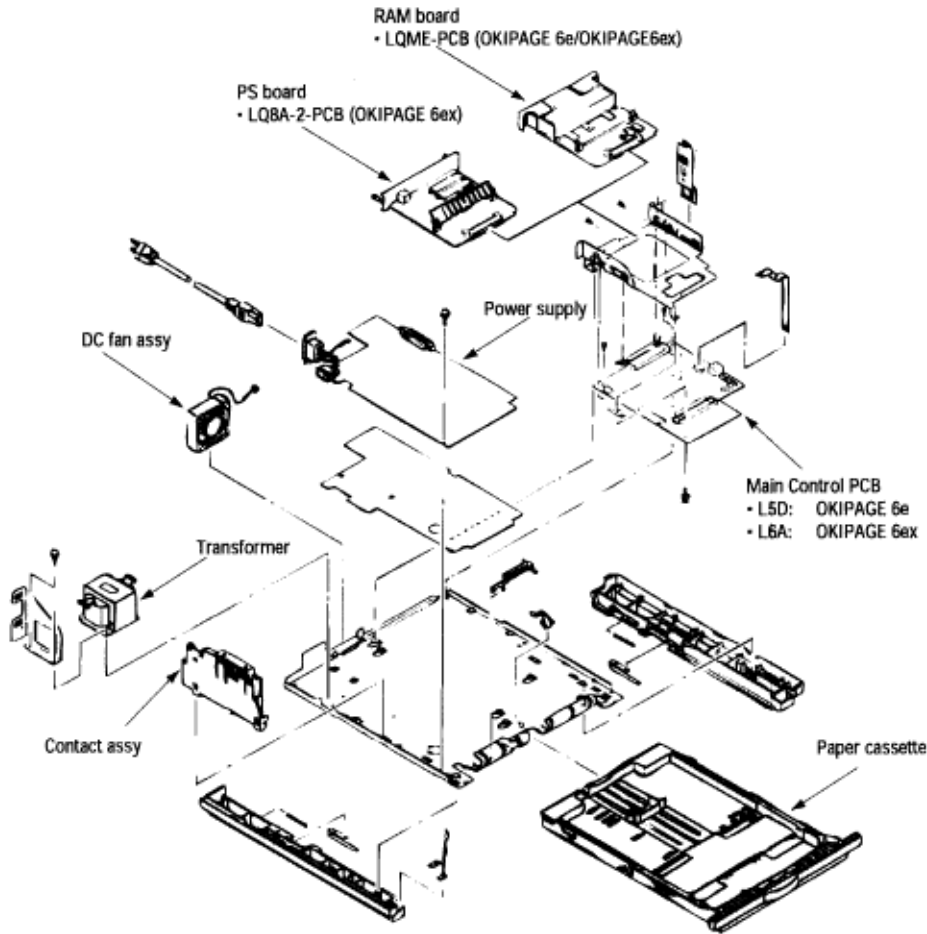


Copyright 1997, Okidata, Division of OKI America, Inc. All rights reserved. See the OKIDATA Business Partner Exchange (BPX) for any updates to this material. (<http://bpx.okidata.com>)



Service Guide OKIPAGE6e

Chapter 3 Parts Replacement



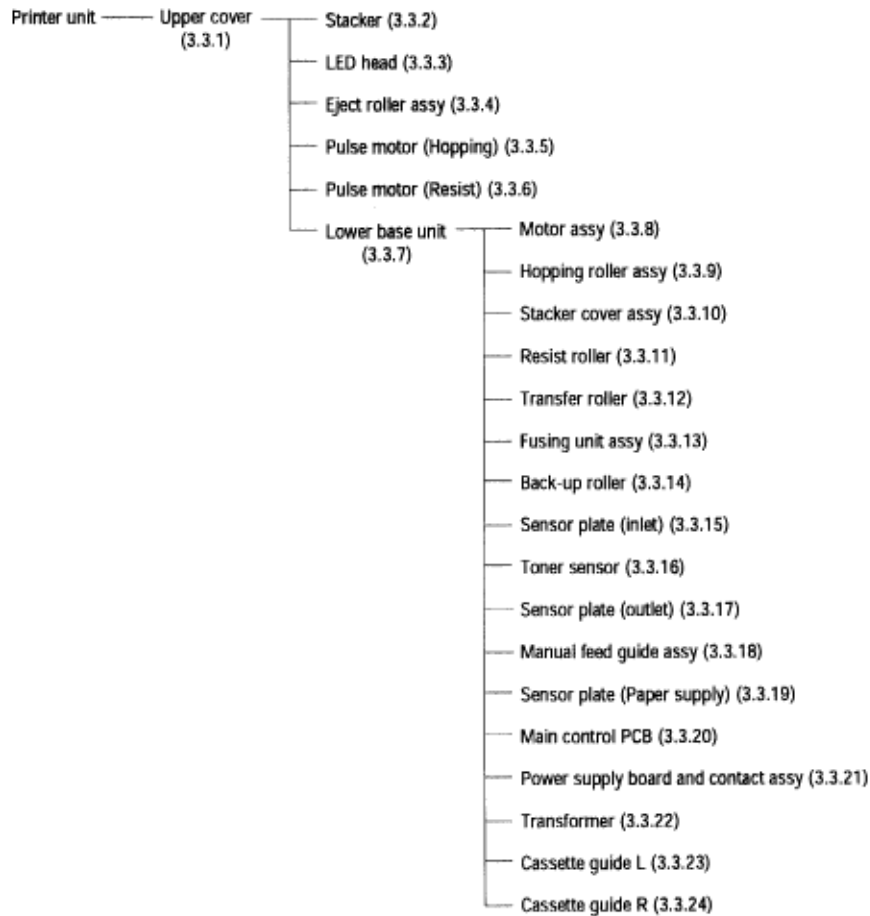
Copyright 1997, Okidata, Division of OKI America, Inc. All rights reserved. See the OKIDATA Business Partner Exchange (BPX) for any updates to this material. (<http://bpx.okidata.com>)



Service Guide OKIPAGE6e

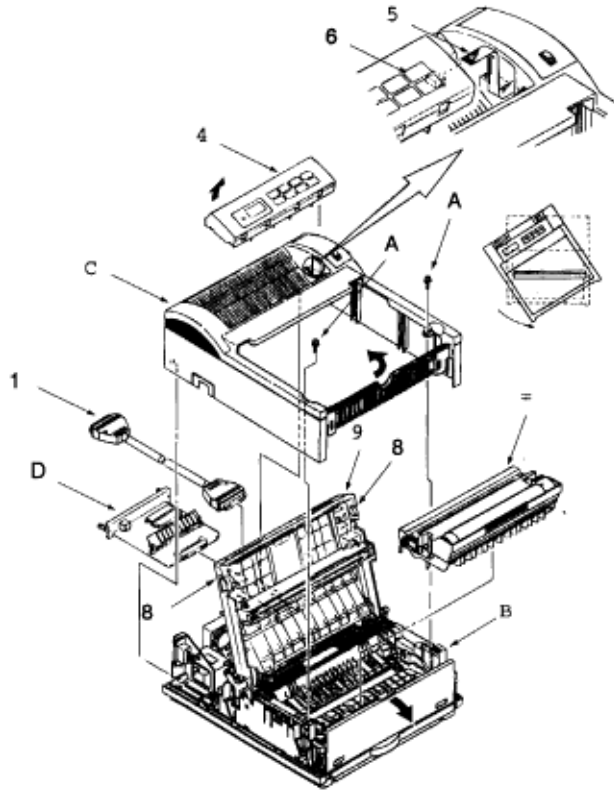
Chapter 3 Parts Replacement

This section explains how to change parts and assemblies listed in the disassembly diagram below.



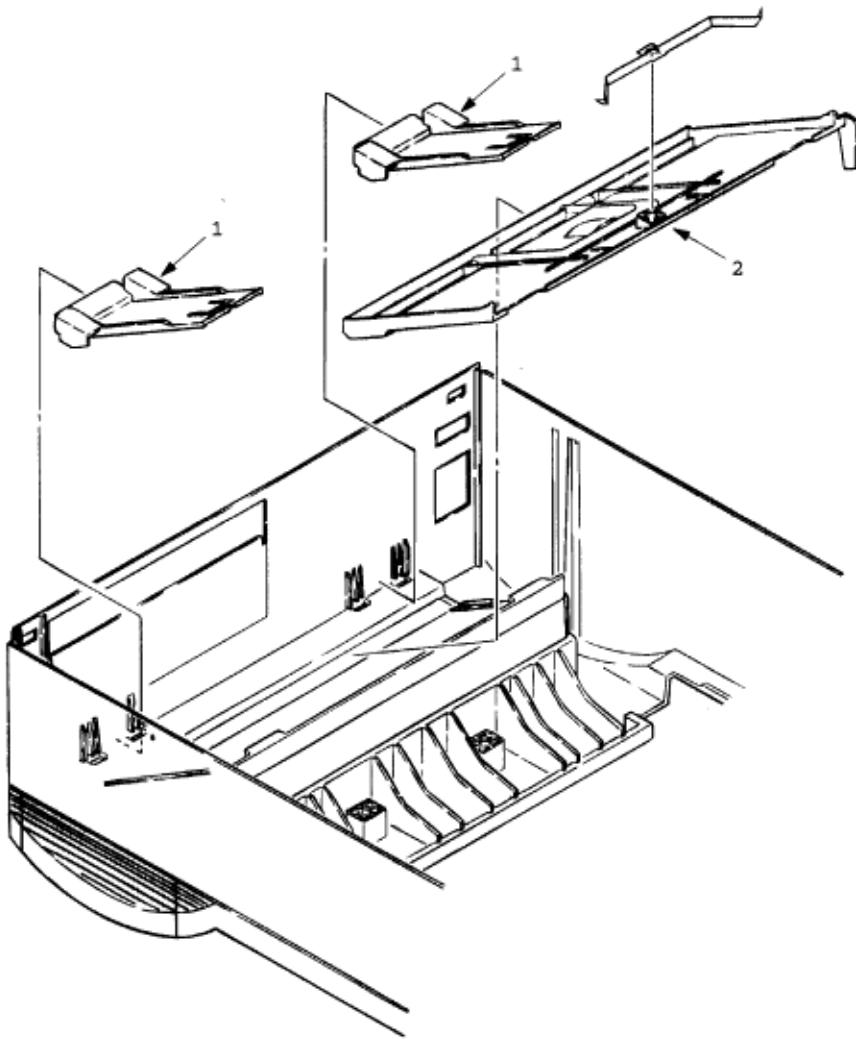
-
- (1) With the power switch turned off, unplug the AC power cord from the outlet.
 - (2) Disconnect the interface cable 1.
 - (3) Remove the option board D if it is mounted.
 - (4) Lift the left side of the operator panel assy (or logo frame) 4 and remove it.
 - (5) Disconnect the flexible cable 5 from the connector (CN1) 6 of the operator panel PCB 6, and put the cable inside the cover. (OKIPAGE 6ex only)
 - (6) Open the stacker cover assy 9 by pressing the knobs 8 on the left and right sides.
 - (7) Remove the image drum unit 0.
 - (8) Remove two screws A, and open the manual feed guide assy B. Lift the front of the upper cover C up and release the claws at two locations on the back side. Align the stacker cover 9 against the diagonal line of the square holes of the upper cover and lift up the upper cover C slightly, then remove it.

Note: When removing or installing the upper cover, be careful not to damage the cable 5.



Copyright 1997, Okidata, Division of OKI America, Inc. All rights reserved. See the OKIDATA Business Partner Exchange (BPX) for any updates to this material. (<http://bpx.okidata.com>)

-
- (1) Remove the upper cover. (See 3.3.1)
 - (2) Remove two stacker clamps 1 and the stacker 2 by bending the upper cover.



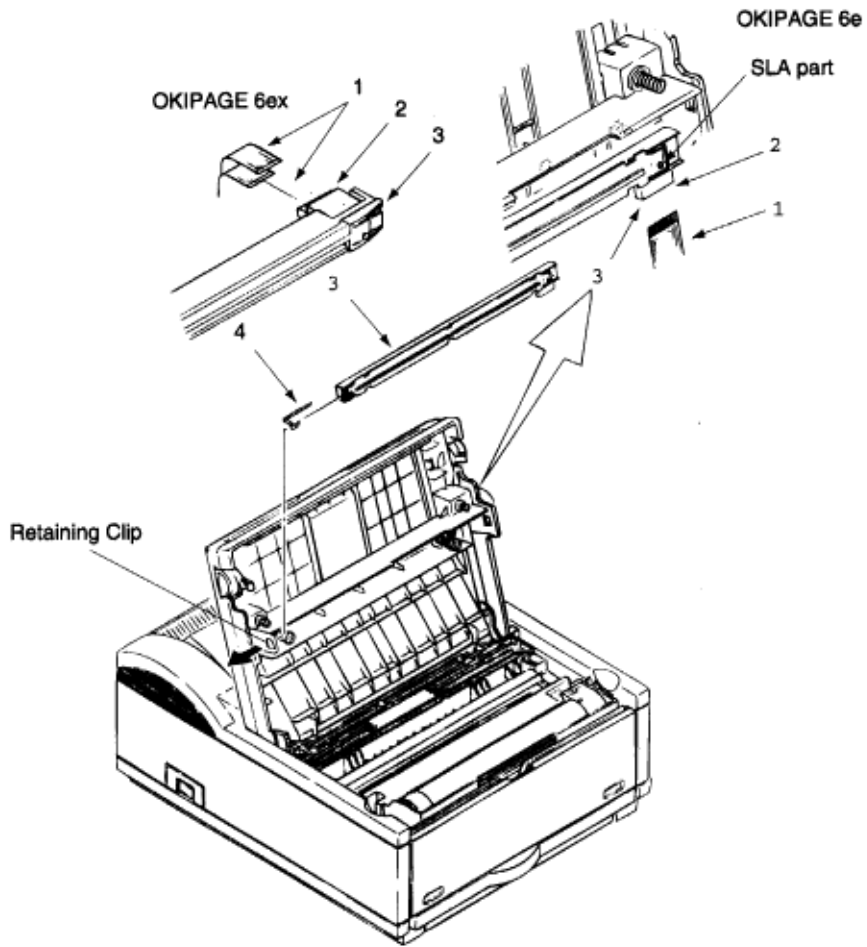
-
- (1) Open the stacker cover.
 - (2) Remove the flexible cable (LED) 1 from the PC connector 2 of the LED head 3.
 - (3) Remove the LED head by prying the left side free from the retaining clip.

Note: Be careful to not lose the contact (LED) 4.

Note:

- Be sure not to directly touch or push the SLA part of the LED head.
After mounting the new LED head, set drive time of the LED head according to the marking on the LED head (see 4.3.1 or 4.3.2).
- For the installation of the flexible cable (LED) 1, install the PC connector 2 to the flexible cable (LED) 1 first, then connect the LED head 3 to the PC connector.

When installing a new LED head, be careful not to lose the contact (LED) 4.

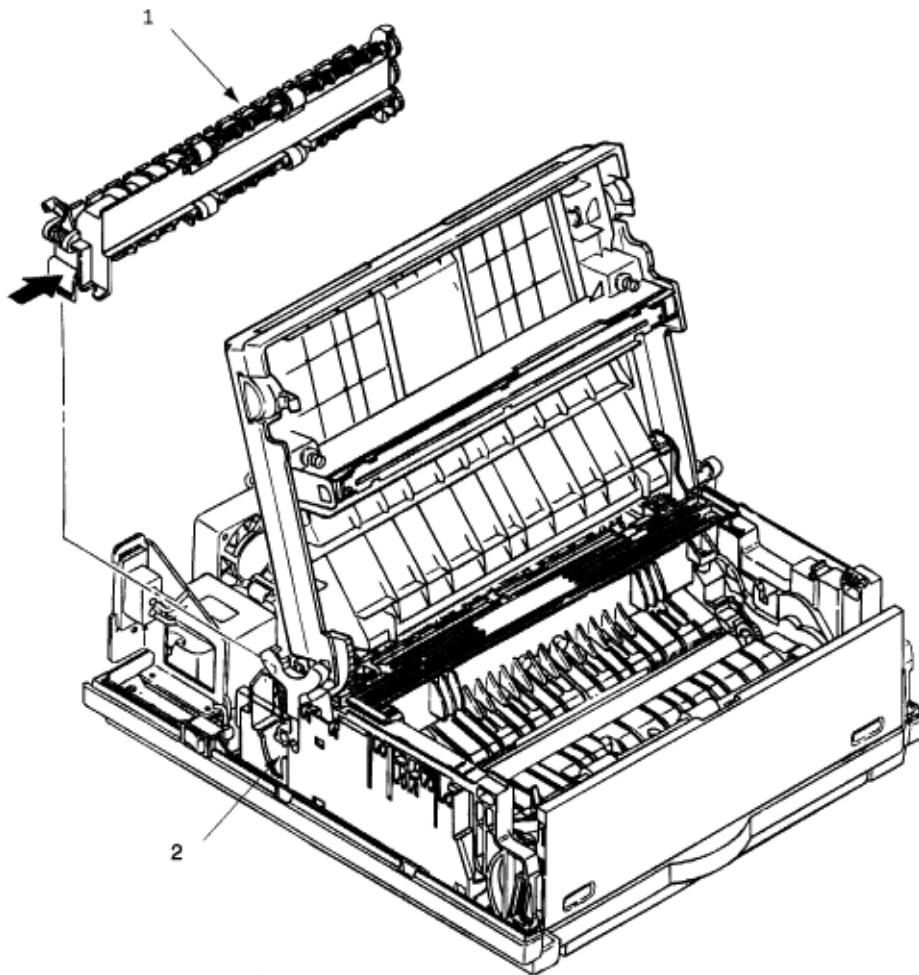


Copyright 1997, Okidata, Division of OKI America, Inc. All rights reserved. See the OKIDATA Business Partner Exchange (BPX) for any updates to this material. (<http://bpx.okidata.com>)

(1) Remove the upper cover (see 3.3.1).

(2) Press the clamp on the left side of the eject roller assy 1 in the direction of the arrow. Detach the eject roller assy from the lower base unit 2, and remove it.

Note: When installing the eject roller, verify the proper engagement with the main unit.

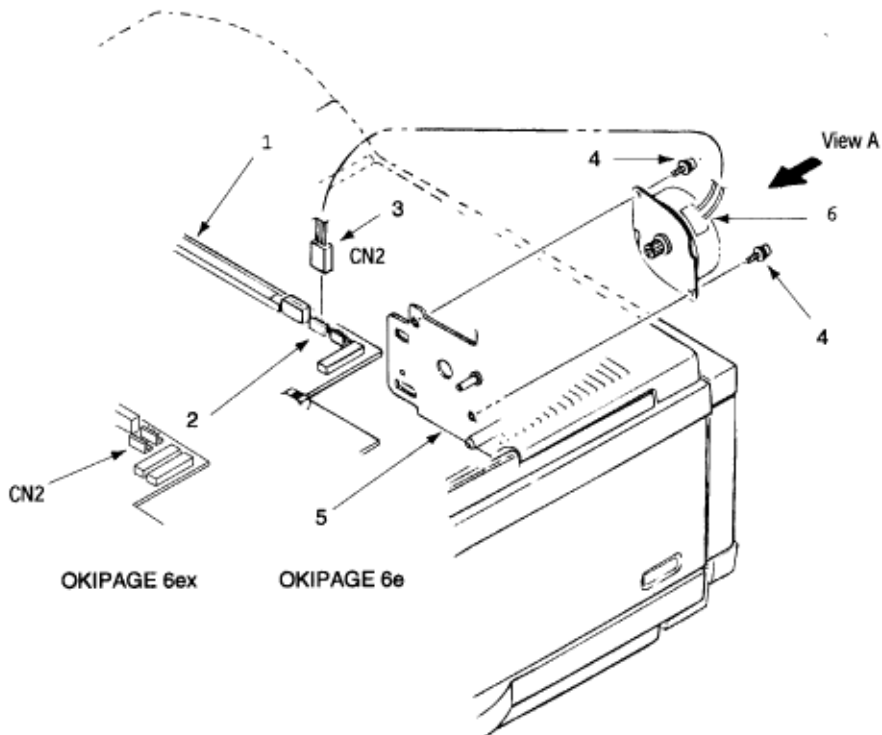
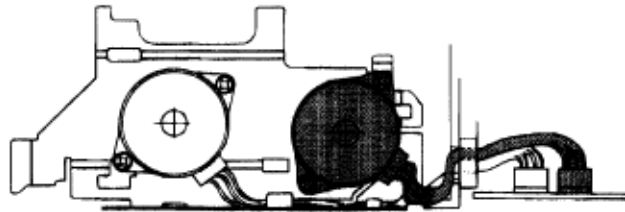




Service Guide OKIPAGE6e

Chapter 3 Parts Replacement

- (1) Remove the upper cover (see 3.3.1).
- (2) Remove the connector 3 from (CN2) 2 of the Main Control PCB 1.
- (3) Remove two screws 4 and remove the pulse motor (main) 6 from the motor bracket 5.

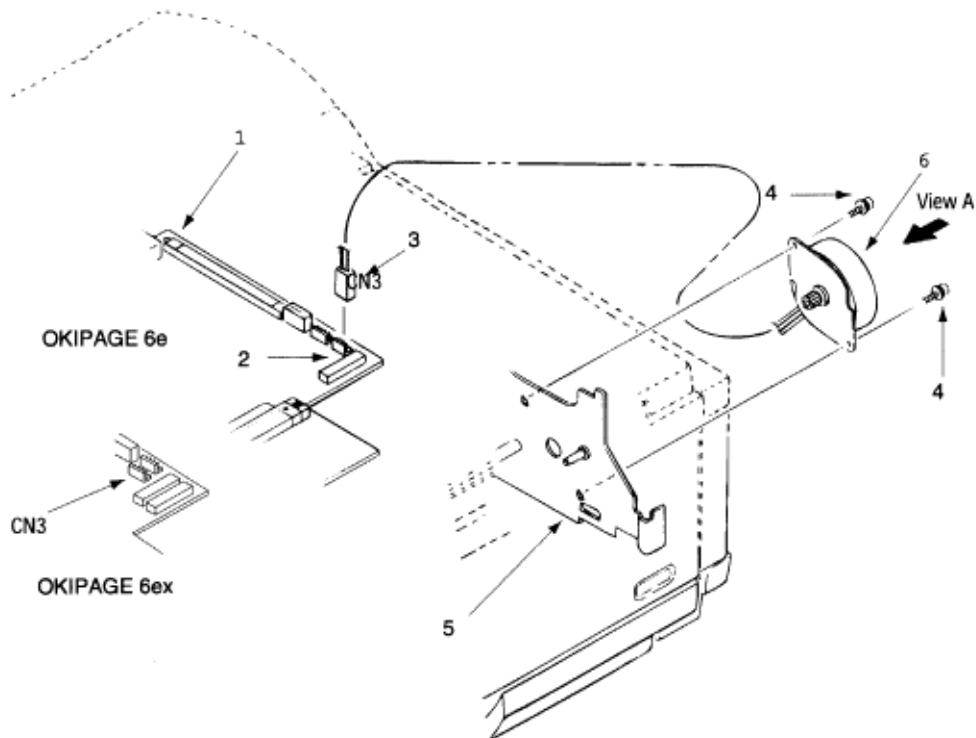
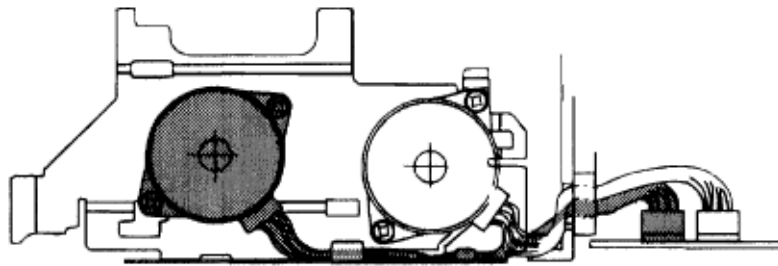




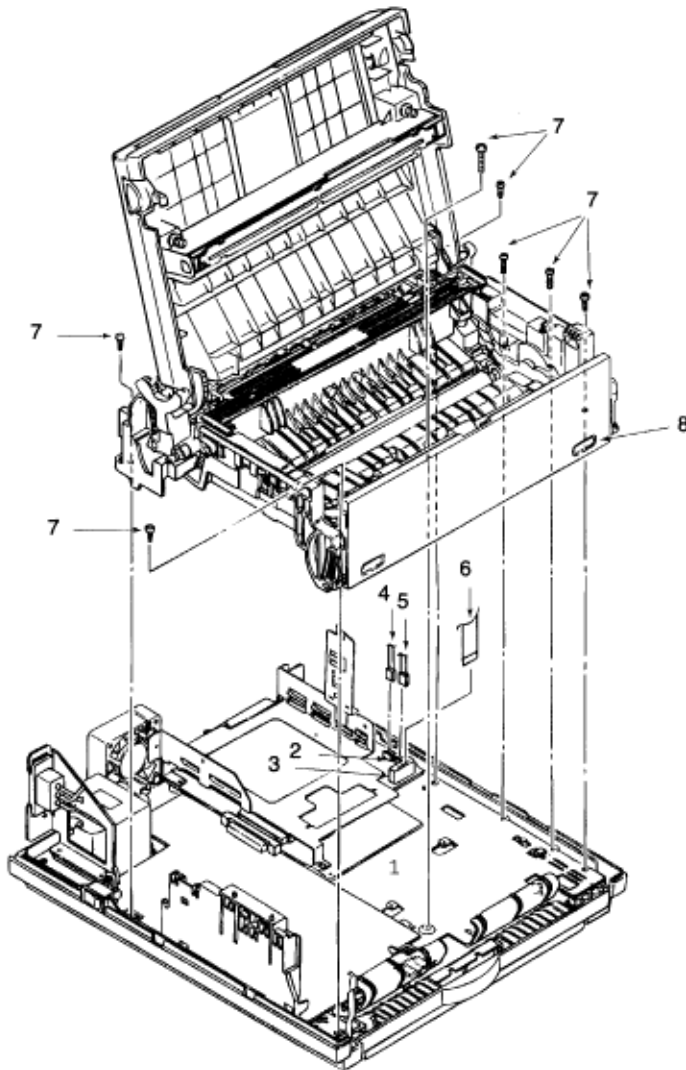
Service Guide OKIPAGE6e

Chapter 3 Parts Replacement

- (1) Remove the upper cover (see 3.3.1).
- (2) Remove the connector 3 from (CN3) 2 of the Main Control PCB 1.
- (3) Remove two screws 4 and remove the pulse motor (registration) 6 from the motor bracket 5.



-
- (1) Remove the upper cover (see 3.3.1).
 - (2) Remove the connecting cables 4 and 5 of the pulse motor from the connectors 2 and 3 of the Main Control PCB 1.
 - (3) Remove the connector 6 of the LED head from the Main Control PCB 1. (OKIPAGE 6e: 1 connector, OKIPAGE 6ex: 2 connectors)
 - (4) Remove seven screws 7, then remove the lower base unit 8.\



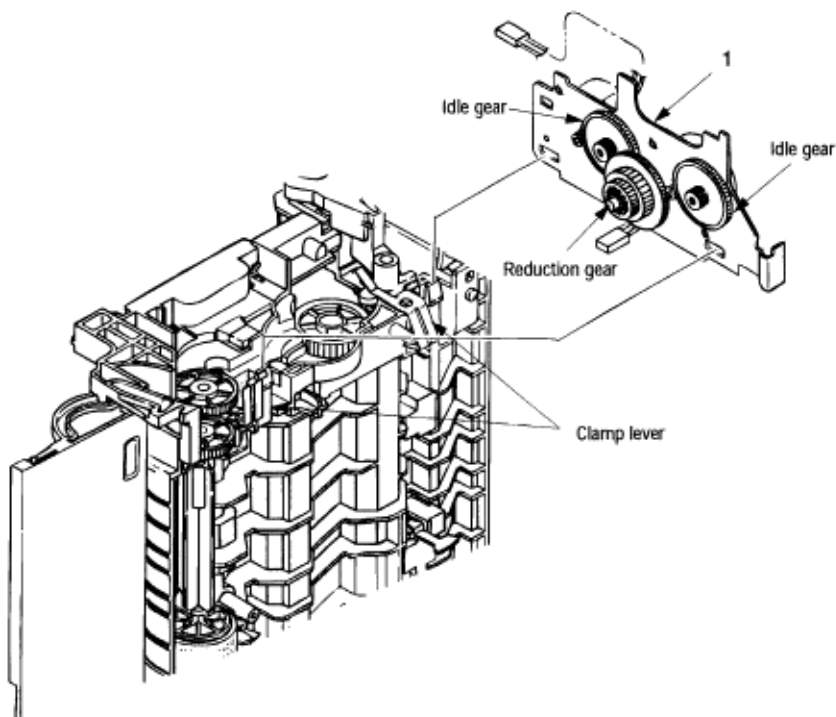
Copyright 1997, Okidata, Division of OKI America, Inc. All rights reserved. See the OKIDATA Business Partner Exchange (BPX) for any updates to this material. (<http://bpx.okidata.com>)



Service Guide OKIPAGE6e

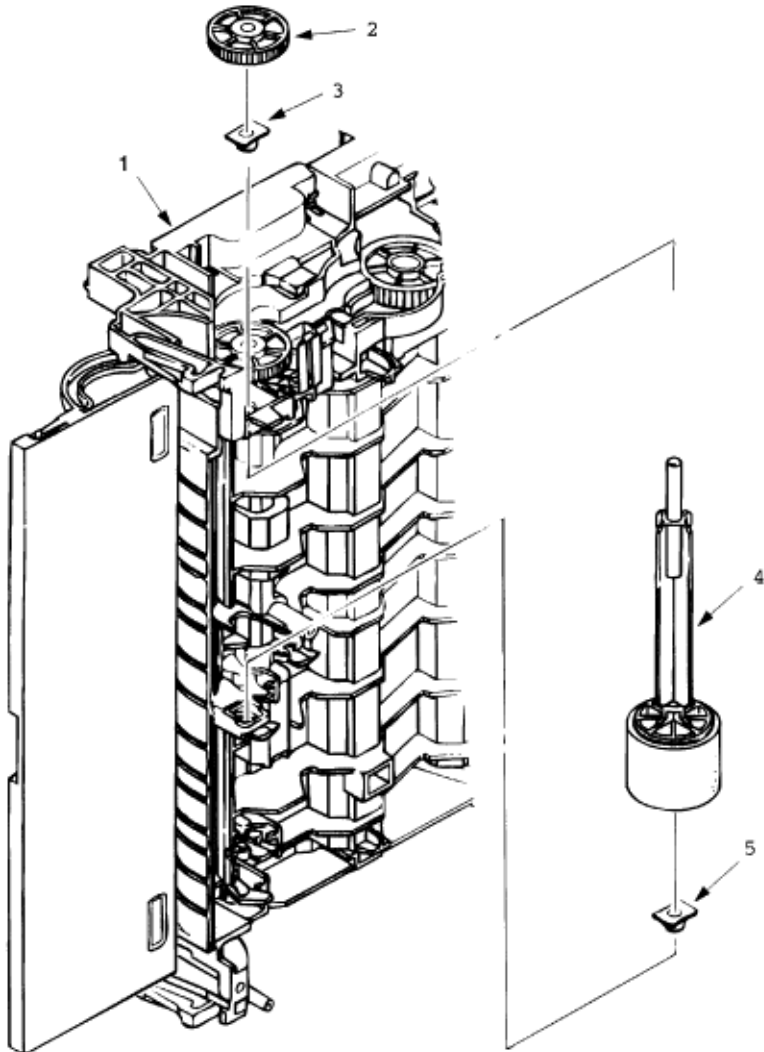
Chapter 3 Parts Replacement

- (1) Remove the upper cover (see 3.3.1).
- (2) Remove the lower base unit (see 3.3.7).
- (3) Stand the lower base unit on its side as shown, and unlock two clamp levers, then remove the motor assy 1.



Copyright 1997, Okidata, Division of OKI America, Inc. All rights reserved. See the OKIDATA Business Partner Exchange (BPX) for any updates to this material. (<http://bpx.okidata.com>)

- (1) Remove the upper cover (see 3.3.1).
- (2) Remove the lower base unit (see 3.3.7).
- (3) Remove the motor assy (see 3.3.8).
- (4) With the lower base unit 1 standing on its side, remove the one-way clutch gear 2 and the bearing (A) 3, then remove the hopping roller assy 4 and the bearing (B) 5



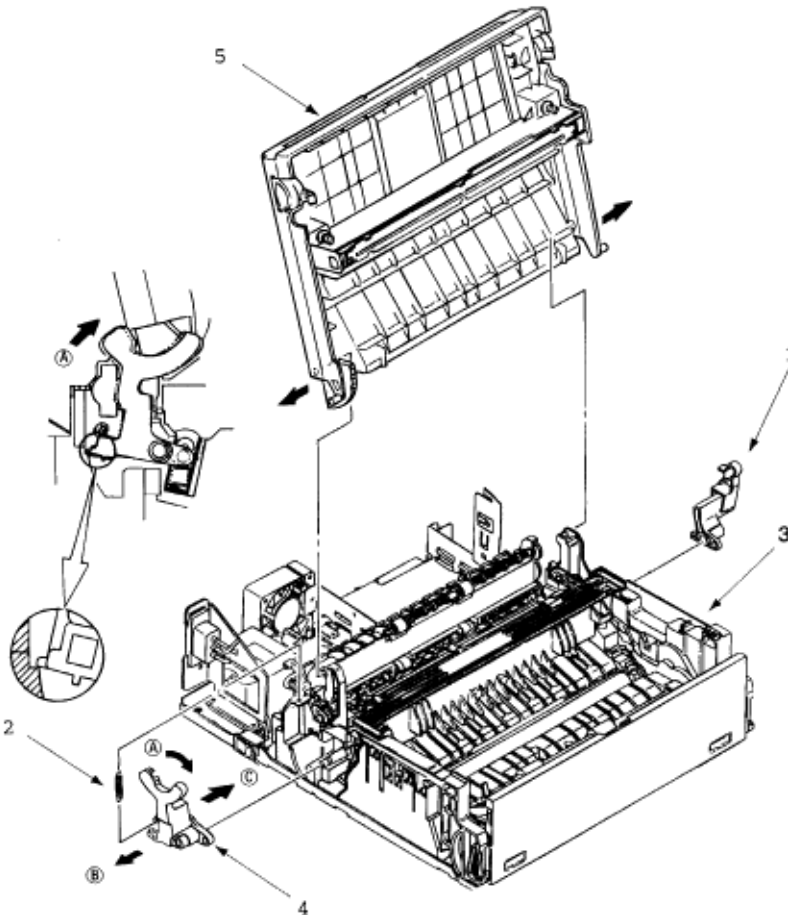
Partner Exchange (BPX) for any updates to this material. (<http://bpx.okidata.com>)



Service Guide OKIPAGE6e

Chapter 3 Parts Replacement

- (1) Remove the upper cover (see 3.3.1).
- (2) Remove the motor assy (see 3.3.8).
- (3) Remove the reset lever R 1.
- (4) Detach the reset spring 2 from the lower base unit 3, turn the reset level L 4 in the direction of the arrow A until it stops, and remove it in the direction of the arrow B .
- (5) Release two pins of the lower base unit 3, then remove the stacker cover assy 5.

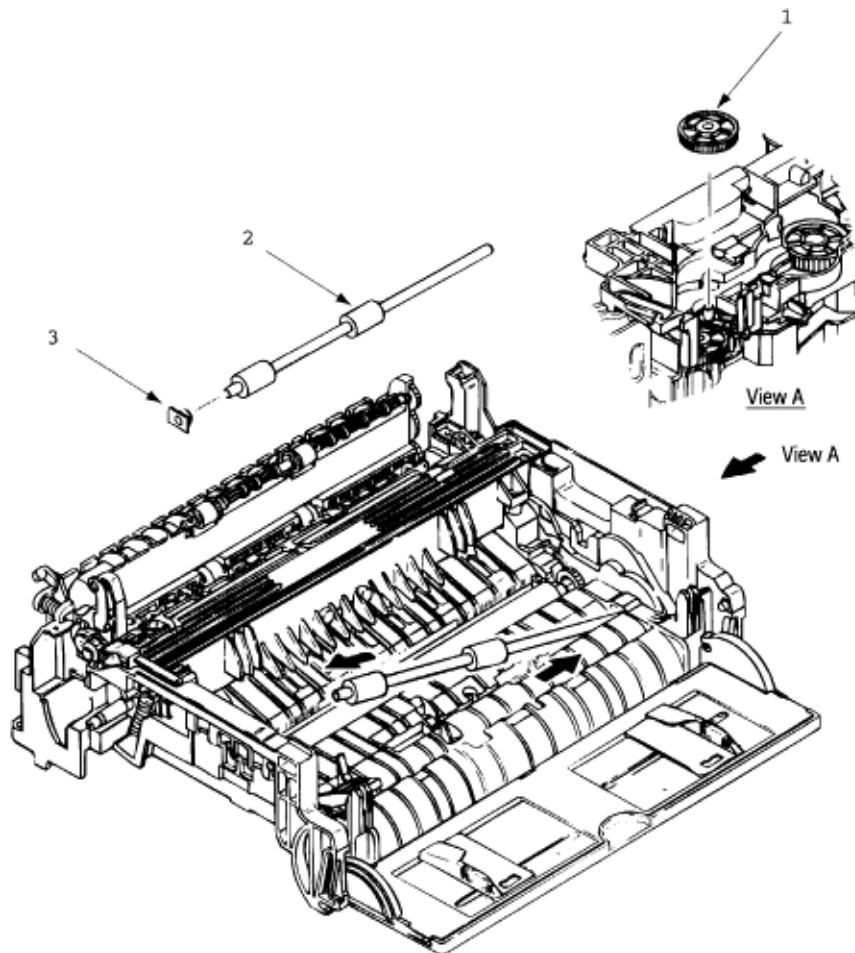




Service Guide OKIPAGE6e

Chapter 3 Parts Replacement

- (1) Remove the upper cover (see 3.3.1).
- (2) Remove the lower base unit (see 3.3.7).
- (3) Remove the motor assy (see 3.3.8).
- (4) With the lower base unit standing on its side (view A), remove the one-way clutch gear 1.
- (5) Press the registration roller 2 to the right side (in the direction of the arrow as shown) and lift up the left side. Remove the registration roller 2 and the bearing (registration) 3.

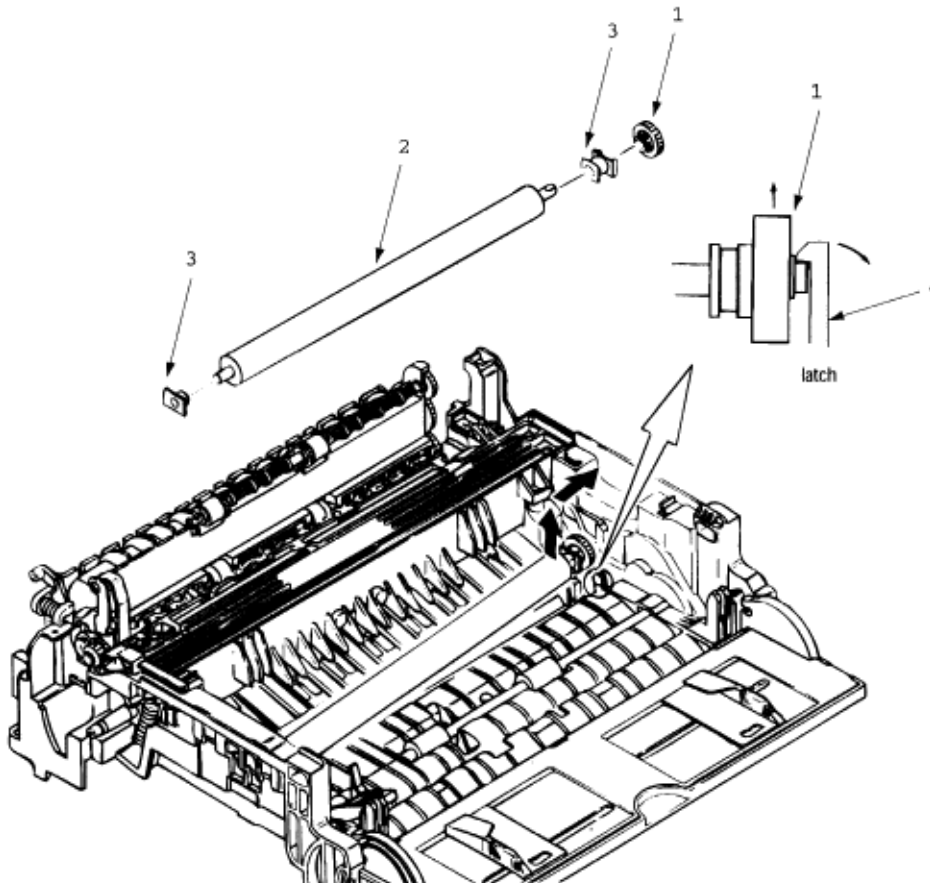




Service Guide OKIPAGE6e

Chapter 3 Parts Replacement

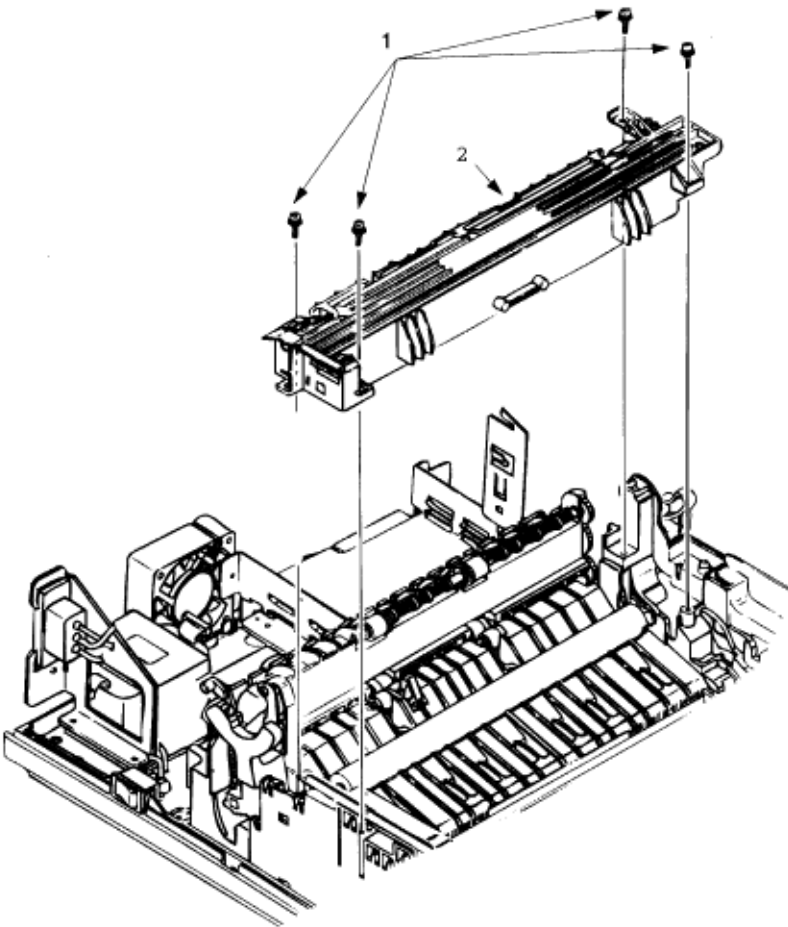
- (1) With the power switch turned off, unplug the AC power cord from the outlet.
- (2) Open the stacker cover.
- (3) Release TR gear 1 by unlocking the latch 4 of the main unit (never apply an excessive force when unlocking the latch).
- (4) Lift the right side of the transfer roller 2, and shift it to the right side, then pull it out from the main unit (at this time, the bearings 3 of the left and right sides of the transfer roller 2 will release themselves).



-
- (1) Remove the upper cover (see 3.3.1).
 - (2) Remove the lower base unit (see 3.3.7).
 - (3) Remove the stacker cover assy (see 3.3.10).
 - (4) Remove four screws 1 and remove the fusing unit 2.

Caution: Fusing unit assy may be hot. Use care when handling.

Note: When installing or removing the fusing unit assy, tighten or loosen the screws while holding the fusing unit down with your hand.

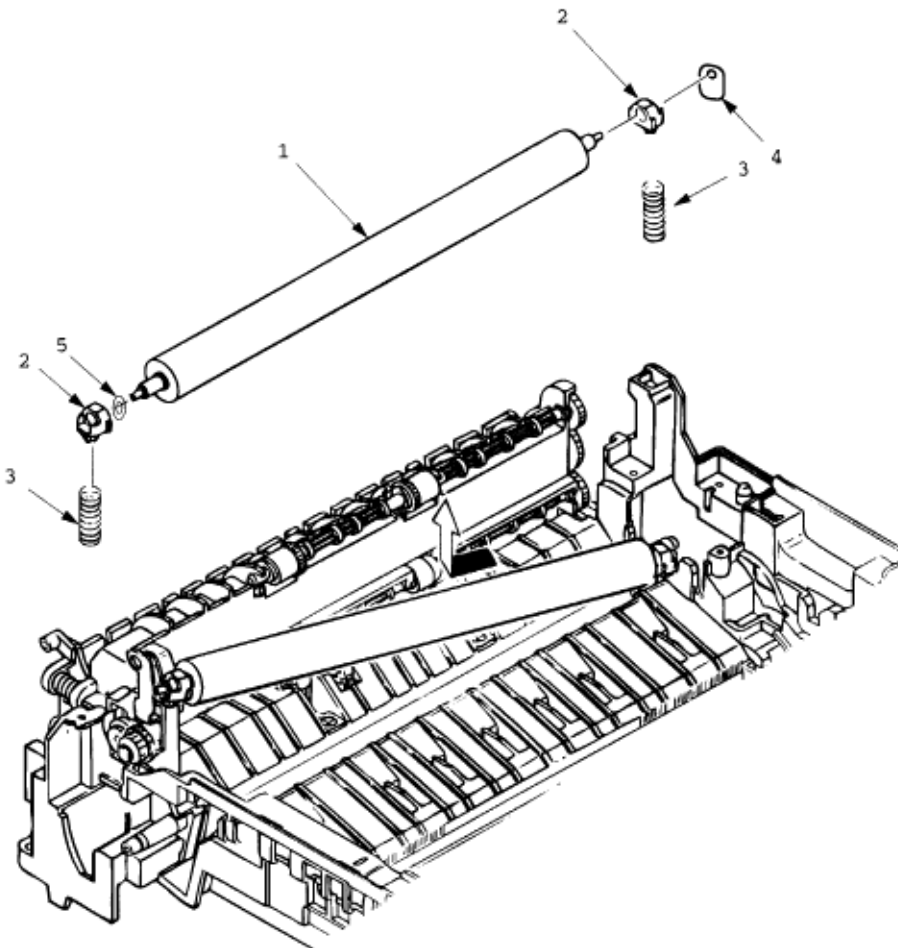


Partner Exchange (BPX) for any updates to this material. (<http://bpx.okidata.com>)

(1) Remove the fusing unit assy (see 3.3.13).

(2) Lift the left side of the back-up roller 1, and pull it out to the left side (at this time, two bushings 2, the bias springs 3 and washers 4 and 5 will release themselves).

Note: Do not bend or lose springs.

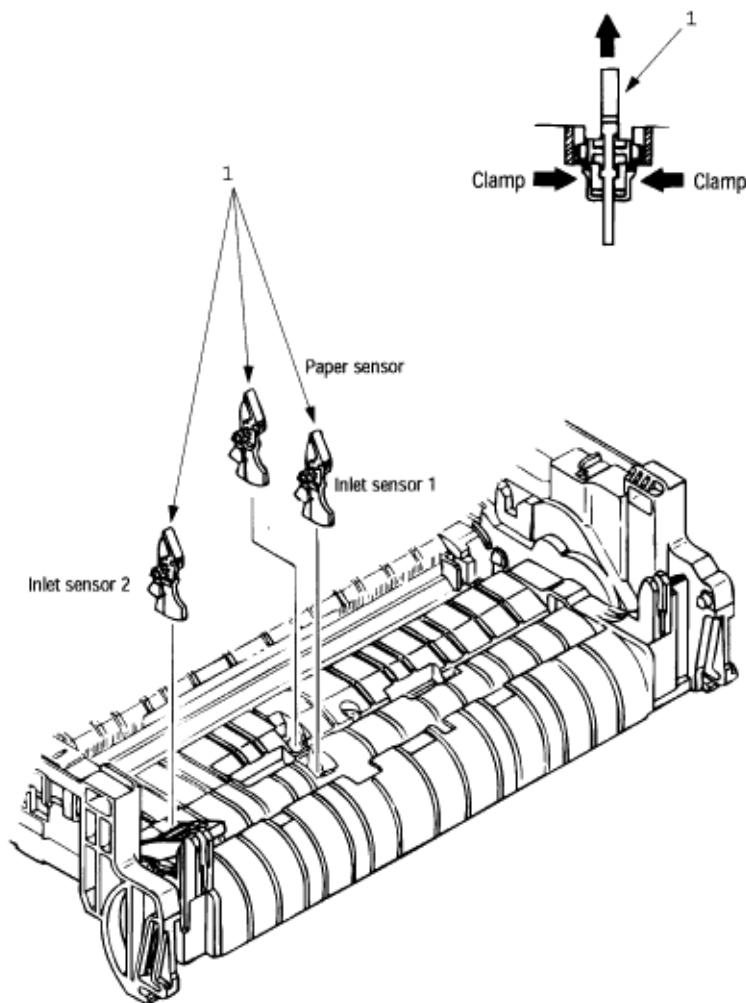




Service Guide OKIPAGE6e

Chapter 3 Parts Replacement

- (1) Remove the upper cover (see 3.3.1).
- (2) Remove the lower base unit (see 3.3.7).
- (3) Press the clamps of three sensor plates (inlet 1), and remove the sensor plates by pressing them upward from the bottom side.

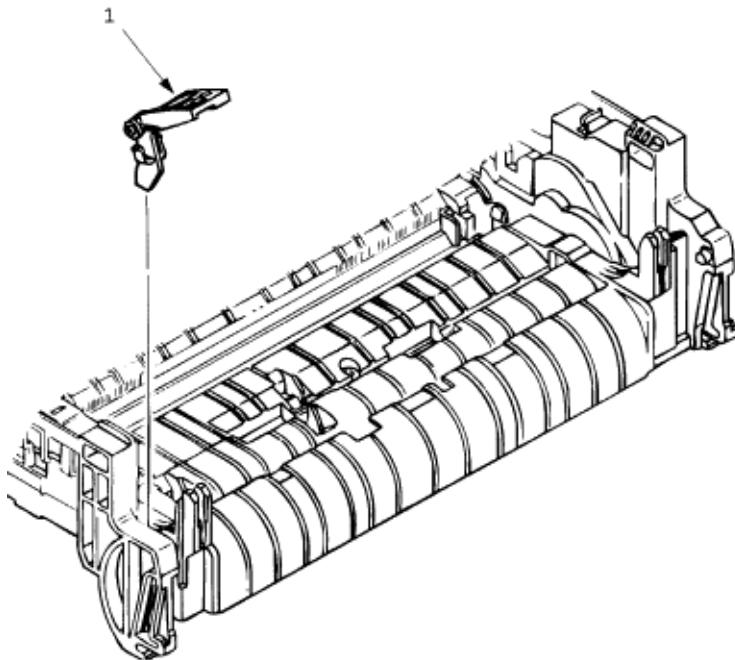
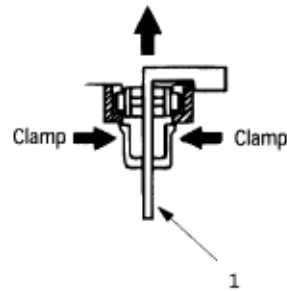




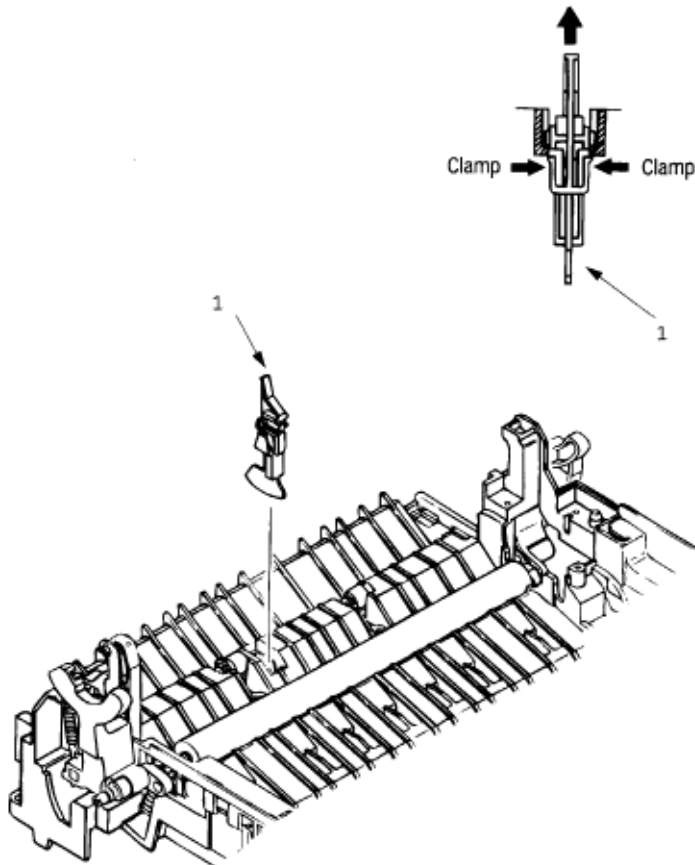
Service Guide OKIPAGE6e

Chapter 3 Parts Replacement

- (1) Remove the upper cover (see 3.3.1).
- (2) Remove the lower base unit (see 3.3.7).
- (3) Press the clamp of the toner sensor 1, and remove the sensor by pushing it up from the bottom.



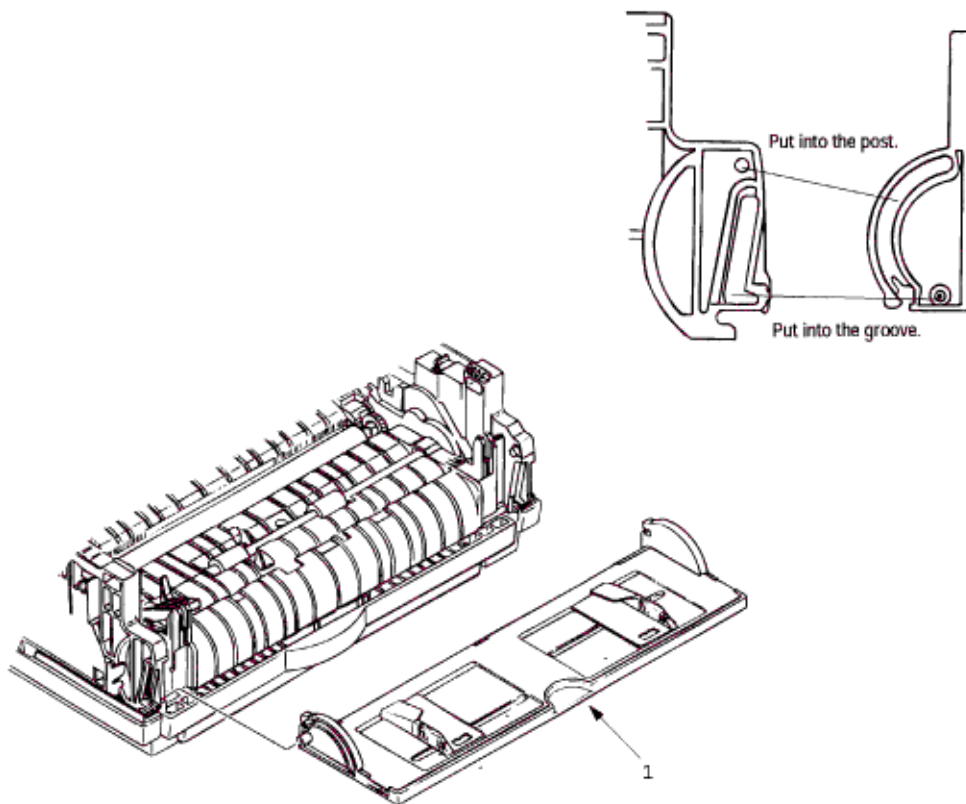
-
- (1) Remove the upper cover (see 3.3.1).
 - (2) Remove the eject roller assy (see 3.3.4).
 - (3) Remove the lower base unit (see 3.3.7).
 - (4) Remove the fusing unit assy (see 3.3.13).
 - (5) Press the clamp of the sensor plates (outlet) 1, and remove the sensor plate by pushing it up from the bottom.



(1) Remove the upper cover (see 3.3.1).

(2) Open the manual feed guide assy 1, and release the engagement on both sides with the main unit by carefully bending the manual feed guide assy 1.

Note: At the time of mounting, verify the proper the engagements as shown in the diagram.

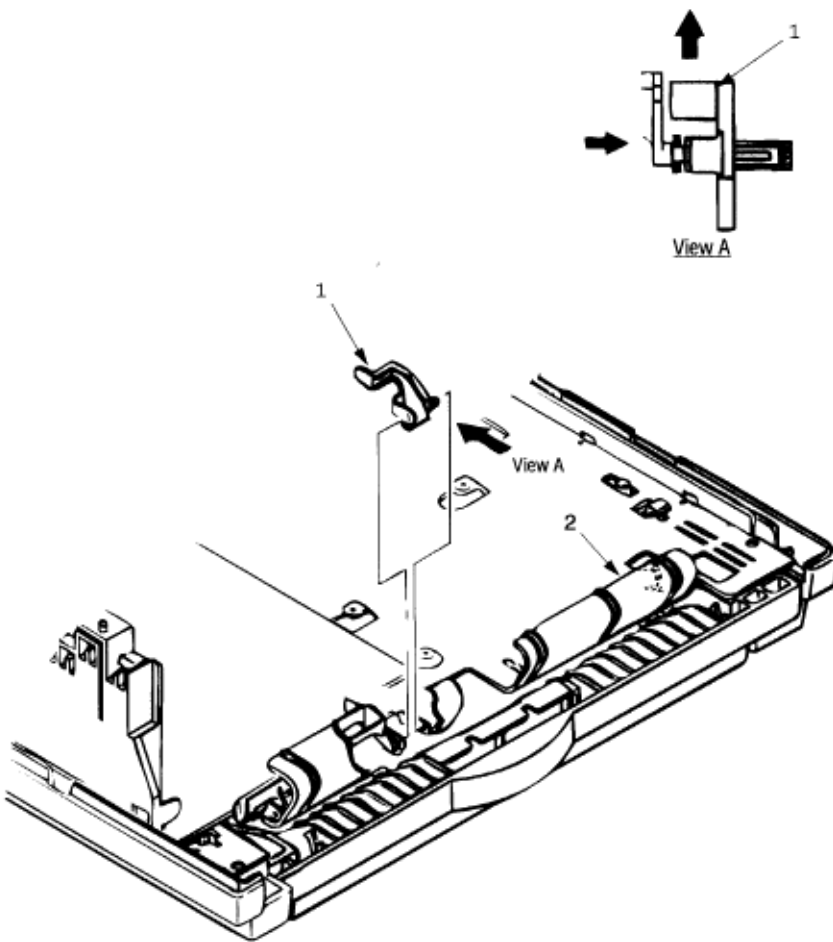




Service Guide OKIPAGE6e

Chapter 3 Parts Replacement

- (1) Remove the upper cover (see 3.3.1).
- (2) Remove the lower base unit (see 3.3.7).
- (3) Press the clamp of the sensor plate (paper supply) 1, and remove it from the base plate 2.



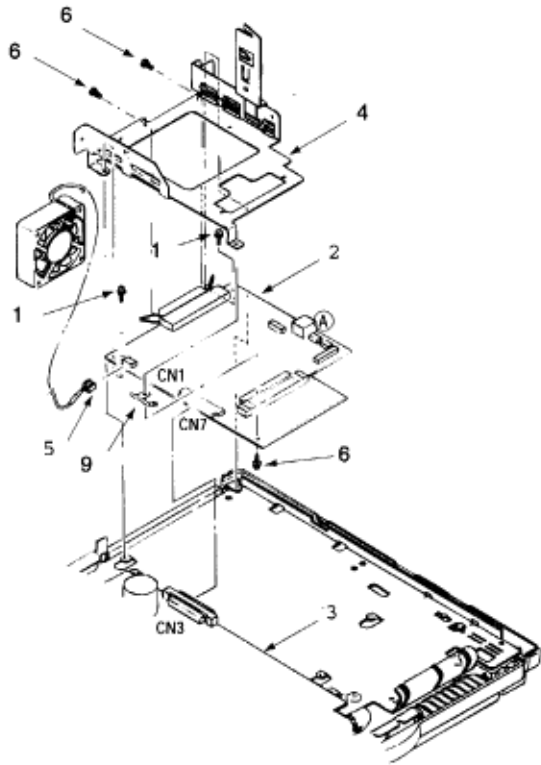
Note: When replacing the Main Control PCB, the contents of the EEPROM shall be copied to the new PCB. This process requires a maintenance utility. (See 4.3.1 4 and 4.3.2 4 for details.)

- The Main Control PCB is different for each model.

OKIPAGE 6e : L5D

OKIPAGE 6ex : L6A

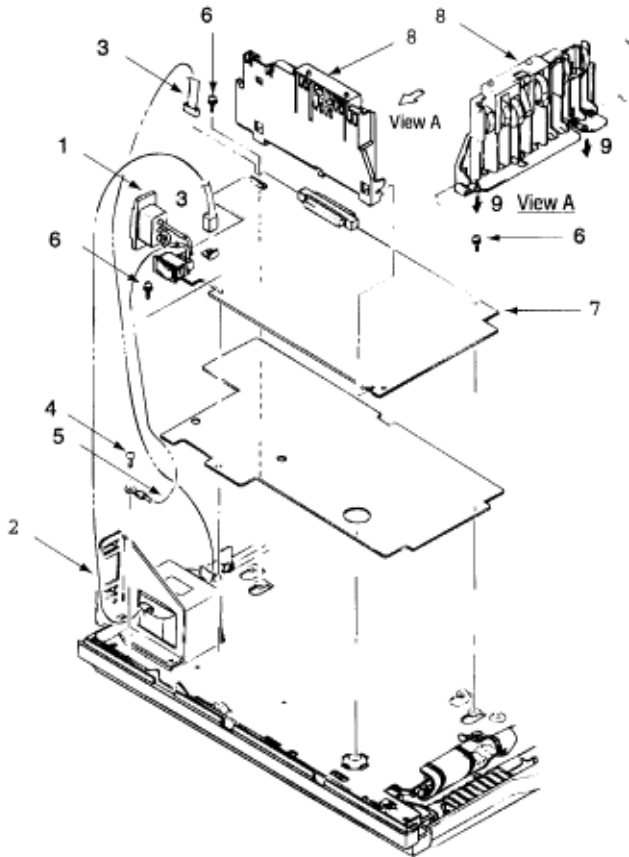
- (1) Remove the upper cover (see 3.3.1).
- (2) Remove the lower base unit (see 3.3.8).
- (3) Remove two screws 1.
- (4) Move the Main Control PCB 2 in the direction of arrow A to disconnect it from the power supply board 3.
- (5) Remove the Main Control PCB 2 together with the PCB guide plate 4 (disconnect the fan motor connector 5 from the Main Control PCB).
- (6) Remove three screws 6 and remove the PCB guide plate 4 from the Main Control PCB 2. Do not bend or lose ground plate 9.



Copyright 1997, Okidata, Division of OKI America, Inc. All rights reserved. See the OKIDATA Business Partner Exchange (BPX) for any updates to this material. (<http://bpx.okidata.com>)

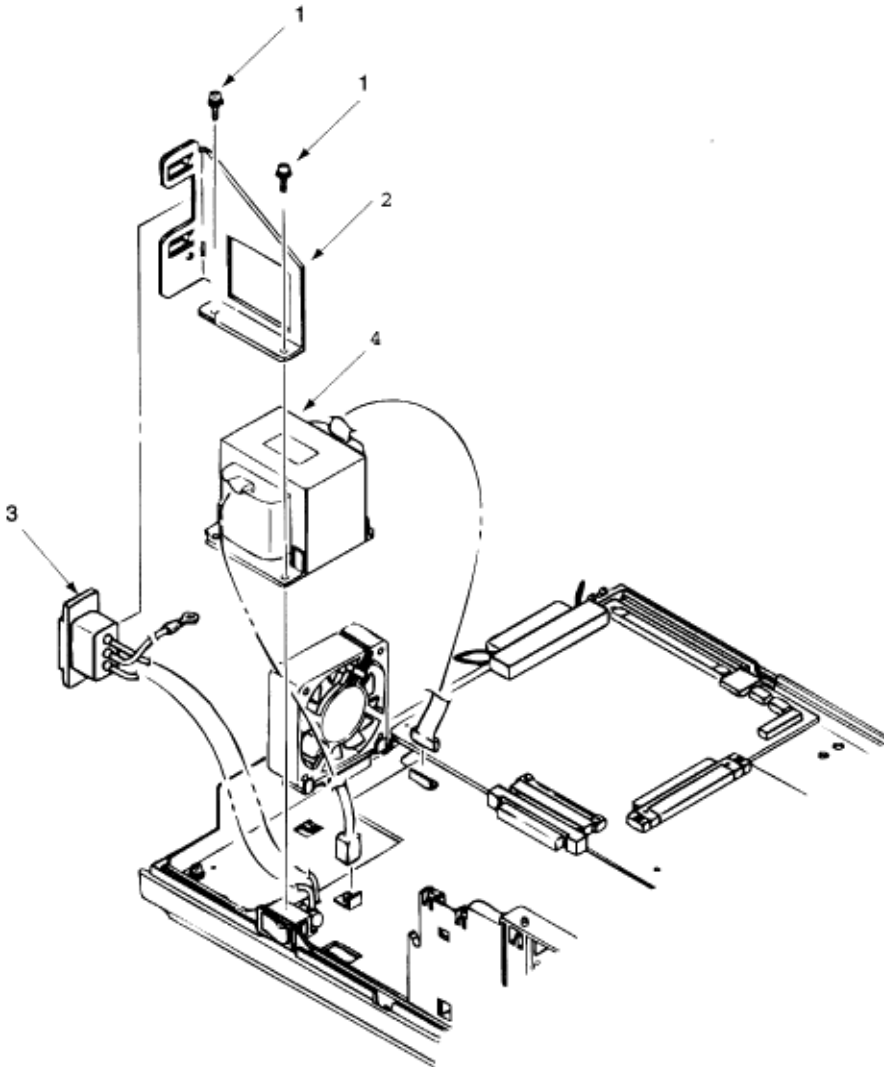
- (1) Remove the upper cover (see 3.3.1).
- (2) Remove the lower base unit (see 3.3.7).
- (3) Remove the Main Control PCB (see 3.3.20).
- (4) Remove the AC inlet 1 from the inlet holder 2, and remove the connector 3 of the transformer.
- (5) Remove the screws 4, and remove the ground cable 5.
- (6) Remove three screws 6, and remove the power supply board 7 and contact assy 8 at the same time.
- (7) Unlock two claws 9, and remove the contact assy 8 from the power supply board 7.

Note: When mounting the lower base unit, be careful about the paper end sensor. Do not apply excessive force to the power switch during reassembly.



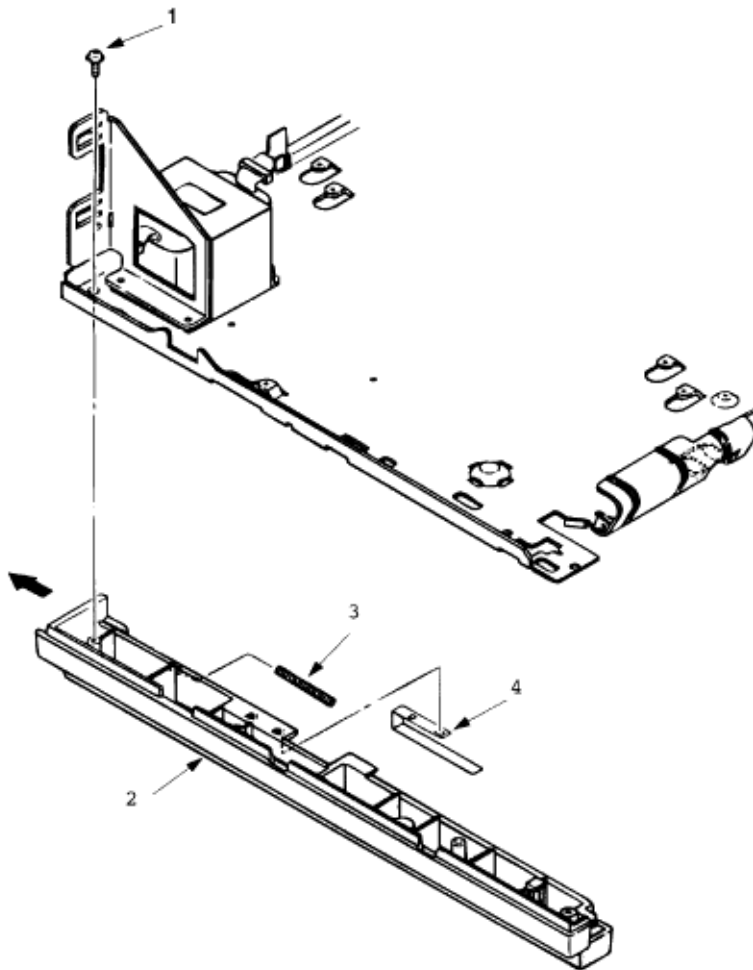
Copyright 1997, Okidata, Division of OKI America, Inc. All rights reserved. See the OKIDATA Business Partner Exchange (BPX) for any updates to this material. (<http://bpx.okidata.com>)

- (1) Remove the upper cover (see 3.3.1).
- (2) Remove the lower base unit (see 3.3.7).
- (3) Remove the connectors (CN1 and CN2).
- (4) Remove the inlet 3 from the inlet holder 2.
- (5) Remove two screws 1, and remove the inlet holder 2 and the transformer 4.



Partner Exchange (BPX) for any updates to this material. (<http://bpx.okidata.com>)

-
- (1) Remove the paper cassette.
 - (2) Remove the upper cover (see 3.3.1).
 - (3) Remove the lower base unit (see 3.3.7).
 - (4) Remove the Main Control PCB (see 3.3.20).
 - (5) Remove the power supply board (see 3.3.21).
 - (6) Remove the screw 1, and remove the cassette guide L 2 by shifting it in the direction of the arrow.
 - (7) Detach the eject spring 3, and remove the support spring 4 from the cassette guide L 2.



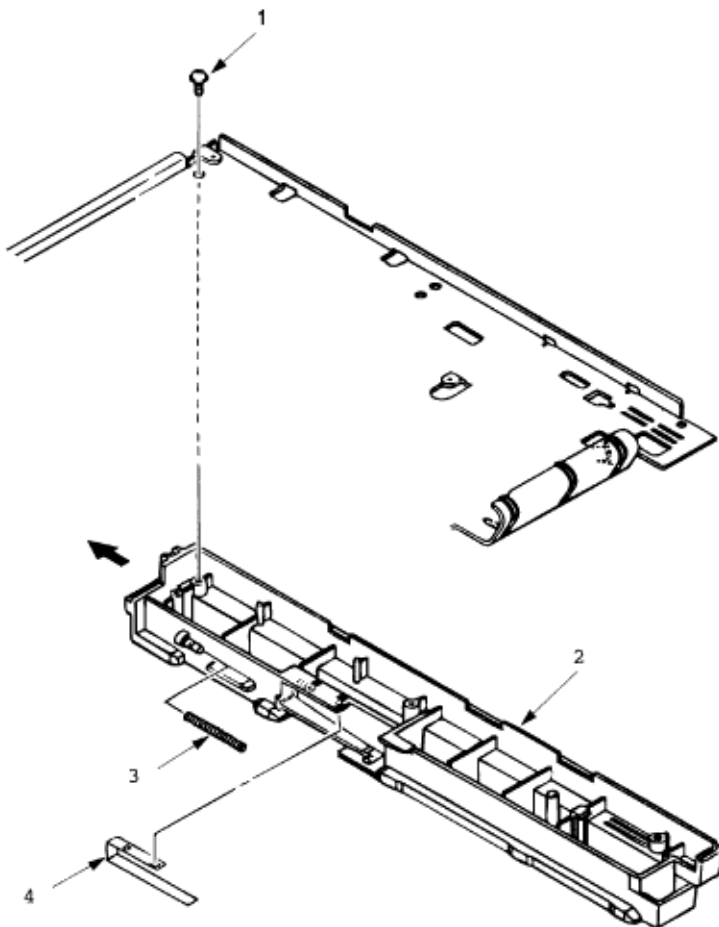
Copyright 1997, Okidata, Division of OKI America, Inc. All rights reserved. See the OKIDATA Business Partner Exchange (BPX) for any updates to this material. (<http://bpx.okidata.com>)



Service Guide OKIPAGE6e

Chapter 3 Parts Replacement

- (1) Remove the paper cassette.
- (2) Remove the upper cover (see 3.3.1).
- (3) Remove the lower base unit (see 3.3.7).
- (4) Remove the Main Control PCB (see 3.3.20).
- (5) Remove the screw 1, and remove the cassette guide R 2 by shifting it in the direction of the arrow.
- (6) Pull the eject spring 3 out of the cassette guide R 2, then remove the support spring 4.





Service Guide OKIPAGE6e Chapter 4 Adjustment

The software Maintenance Utility for the OKIPAGE 6e is covered in Appendix D.

How to Get the OKIPAGE 6e Maintenance Utility Program

The Maintenance Utility Program for the OKIPAGE 6e can be obtained as listed below.

Internet Web Site at www.okidata.com

OKILINK II Bulletin Board Service at 1-800-283-5474

You will need the items / settings listed below.

Asynchronous Communications Software set to

- 8 Data Bits
- No Parity
- 1 Stop Bit

Asynchronous Modem up to 9600 BPS w/error correction

IBM Graphics/ANSI terminal emulation

Copyright 1997, Okidata, Division of OKI America, Inc. All rights reserved. See the OKIDATA Business Partner Exchange (BPX) for any updates to this material. (<http://bpx.okidata.com>)



Service Guide OKIPAGE6e

Chapter 4 Adjustment

This chapter describes the adjustment necessary when replacing a part. The Adjustment is made by changing the parameter value set in the EEPROM on the Main Control PCB. In the OKIPAGE 6ex, this is set by the key operation from the operator panel. This printer has three kinds of maintenance modes, and it is necessary to select one of the modes when replacing the part. In the OKIPAGE 6e, this is set using the software Maintenance Utility described in Appendix D.

4.2.1 Maintenance Modes and Functions

User Maintenance Mode

This mode is being released to end-users, but it is rarely accessed.

To enter into the user maintenance mode, turn the POWER switch on while holding the MENU key down.

Function

There are following five functions:

- Hex dump
- Drum counter reset
- Menu reset
- Operator panel menu disable
- X-adjust / Y-adjust

Detailed descriptions of these functions are provided in Appendix C, DIAGNOSTICS TEST.

System Maintenance Mode

Note: This mode is used only by service persons and it should not be released to the end-users.

To enter into the system maintenance mode, turn the POWER switch on while holding the RECOVER key down.

Function

There are following five functions:

- Page count display
- Page count printing enable/disable
- EEPROM reset
- Rolling ASCII continuous printing
- HIPER-W ENABLE/DISABLE
- SIDM ENABLE/DISABLE

Detailed descriptions of these functions are provided in Appendix C, DIAGNOSTICS TEST.

Engine Maintenance Mode

Note: This mode is used only by service persons, and it should not be released to the end users.

To enter into the engine maintenance mode, turn the POWER switch on while holding the FORM FEED and ENTER keys down.

Function

There are following functions :

- Head drive time setting
- Drum count total display
- Printing start position setting
- Engine reset
- Drum count display
- Factory adjustment
- LED head width setting
- LED head type setting (Adjustment method for adjustment head)
- Transfer current setting
- Optical LED head (Mounting head type)
- Setting of strobe time
- Selection of standby temperature
- Engine test

Note: "Printing start position setting" is for shipping. Do not change its default value.

Detailed descriptions of these functions are provided in Appendix C, DIAGNOSTICS TEST.

Copyright 1997, Okidata, Division of OKI America, Inc. All rights reserved. See the OKIDATA Business Partner Exchange (BPX) for any updates to this material. (<http://bpx.okidata.com>)

The following table lists parts that require adjustment after replacement.

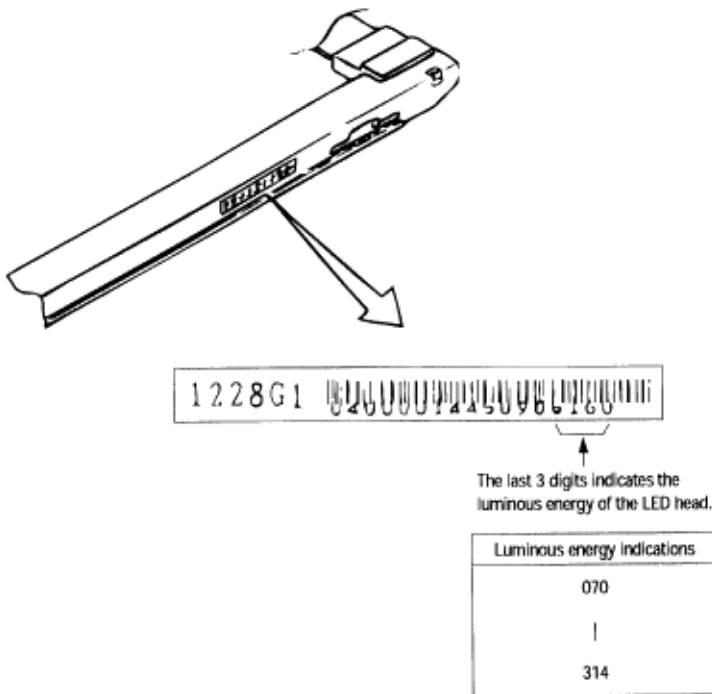
Parts	Required Adjustment
LED head	LED head drive time LED head width Type of the LED head
Image drum unit	Drum counter reset (Refer to the user's manual for details.)
Control P.C.B.	Upload/Download EEPROM data

LED Head Drive Time Setting

Caution: Do not change the LED head drive time when the luminous energy indicated on the new LED head is the same as that of the old LED head.

The LED head drive time is set in the LED Head Marking No. on the Engine Menu of the Maintenance Utility. Input the value printed on the serial No. label on the LED head. The last 3 digits indicates the luminous energy of the LED head. (See Fig. 4-2.)

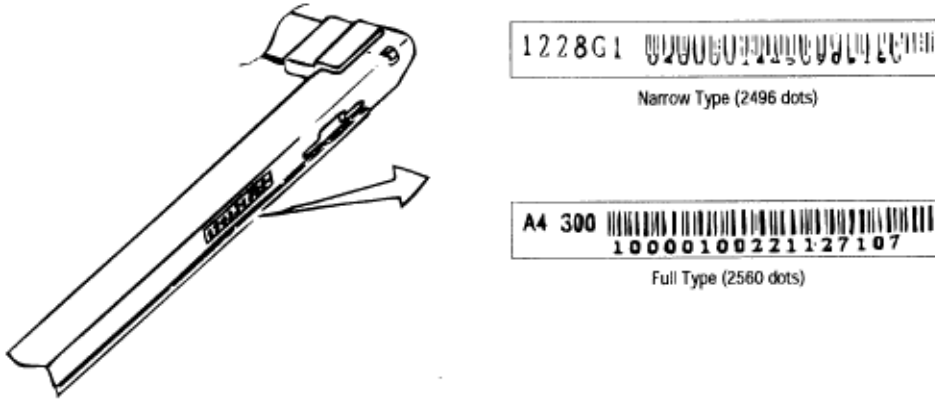
LED Head Luminous Energy



LED Head Width Setting

There are two types of LED head width. The type of the LED head is distinguished by the serial No. label on the head. Set the LED Head Width on the Engine Menu accordingly. (See Fig. 4-2).

- How to distinguish LED head width



LED Head Type Setting

There are two types of LED data wire: 1 wire type and 2 wires type. For this printer, 1 wire type is used. Select "Data wire 1 wire type" LED Head Wire on the Engine Menu. (See Fig. 4-2).

- LED head data wire type

300-1W: Data wire 1 wire type

300-2W: Data wire 2 wires type

Uploading/Downloading EEPROM data

When the controller printed circuit board is replaced, the contents of the old EEPROM shall be copied to the new EEPROM on the new board to preserve customer settings. For the purpose, use the EEPROM operation on the Option of the Maintenance Utility. (See Appendix F.) To copy, follow the steps below.

- (1) Be sure to confirm that the printer and the PC are connected with a centronics I/F cable. Then execute the Maintenance Utility. (**Note: Printer driver shall be deinstalled.**)
- (2) Select the Option on the Maintenance Utility.
- (3) Click the "UPLOAD EEPROM" button on the "EEPROM Operations".
- (4) The contents of the EEPROM data is displayed on the "DIALOG" of the Maintenance Utility. The contents of the old EEPROM is now copied into the memory of the PC.
- (5) Replace the controller P.C.B. with a new one while it displays the above "DIALOG".
- (6) After the replacement, click "Download EEPROM" on the "EEPROM Operations". EEPROM upload has been completed.

In case of troubles such as centronics I/F failure, etc. EEPROM data may not be uploaded properly. In such case, it is necessary to adjust the following settings manually after the replacement using the Maintenance Utility.

- LED driver time (See 4.3.1 above.)
 - LED head width setting (See 4.3.1 above.)
 - LED head data wire type (See 4.3.1 above.)
 - Factory setting (ODA/OEL/INT-A/INT-L)
-

Copyright 1997, Okidata, Division of OKI America, Inc. All rights reserved. See the OKIDATA Business Partner Exchange (BPX) for any updates to this material. (<http://bpx.okidata.com>)



Service Guide OKIPAGE6e Chapter 4 Adjustment

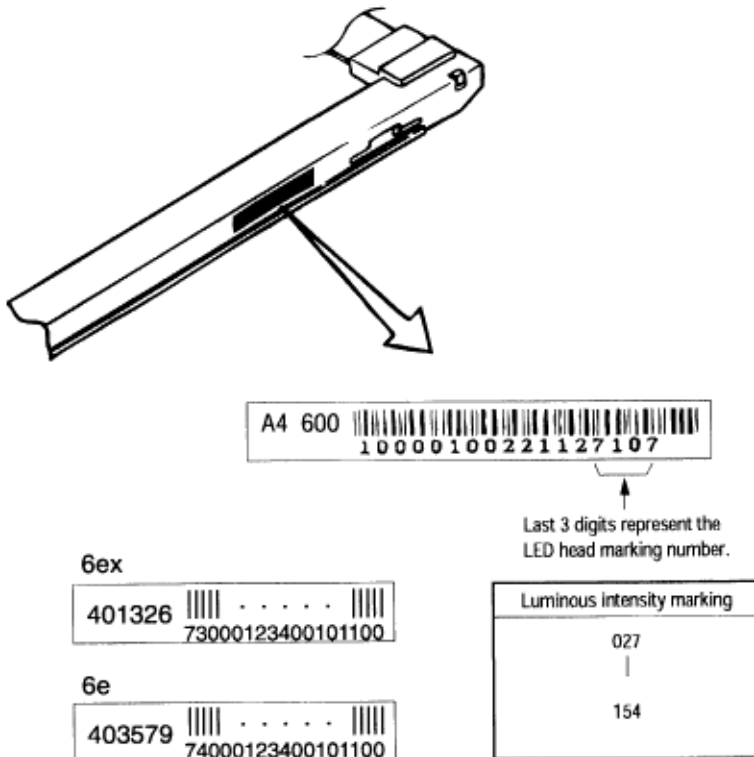
Adjustment is necessary when replacing any one of the following parts.

Parts	Required Adjustment
LED head	LED head drive time LED head width LED type
Image drum unit	Drum counter reset (Refer to the User's Manual.)
Main Control Board	EEPROM data Upload/Download (See 4.3.1 4.)

Setting of LED Head Drive Time

Note: When the luminous intensity marking of the replacement LED head (new part) is same as that of the removed LED head (old part), do not set the LED head drivetime.

Luminous Intensity Marking Label



Setting of LED Head Drive Time (OKIPAGE6e)

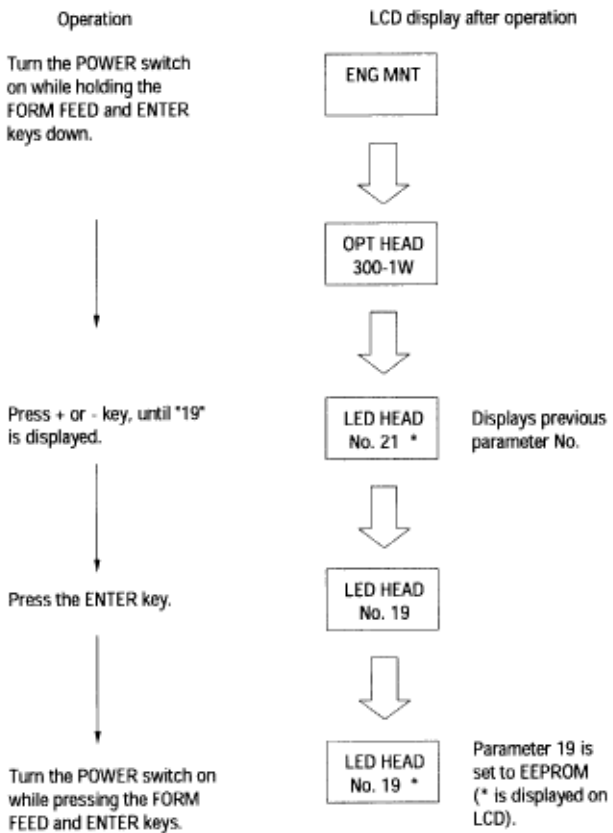
Drive time of the LED head is set by setting the parameter of drive time of EEPROM according to the luminous intensity marking on the LED head.

Luminous Intensity Marking and Drive Time Parameter Table

Luminous intensity marking on LED head	Drive time parameter	Luminous intensity marking on LED head	Drive time parameter
056 ~ 062	34	132 ~ 142	23
063 ~ 065	33	143 ~ 154	22
066 ~ 069	32	155 ~ 167	21
070 ~ 076	31	168 ~ 180	20
077 ~ 082	30	181 ~ 195	19
083 ~ 088	29	196 ~ 211	18
089 ~ 096	28	212 ~ 228	17
097 ~ 104	27	229 ~ 247	16
105 ~ 112	26	248 ~ 268	15
113 ~ 121	25	269 ~ 290	14
122 ~ 131	24	291 ~ 313	13

Procedure

Example: Method for setting the parameter to 19 (for case where the previous parameter setting was 21).



Setting of LED Head Drive Time (OKIPAGE 6ex)

Drive time of the LED head is set by setting the parameter of drive time of EEPROM according to the

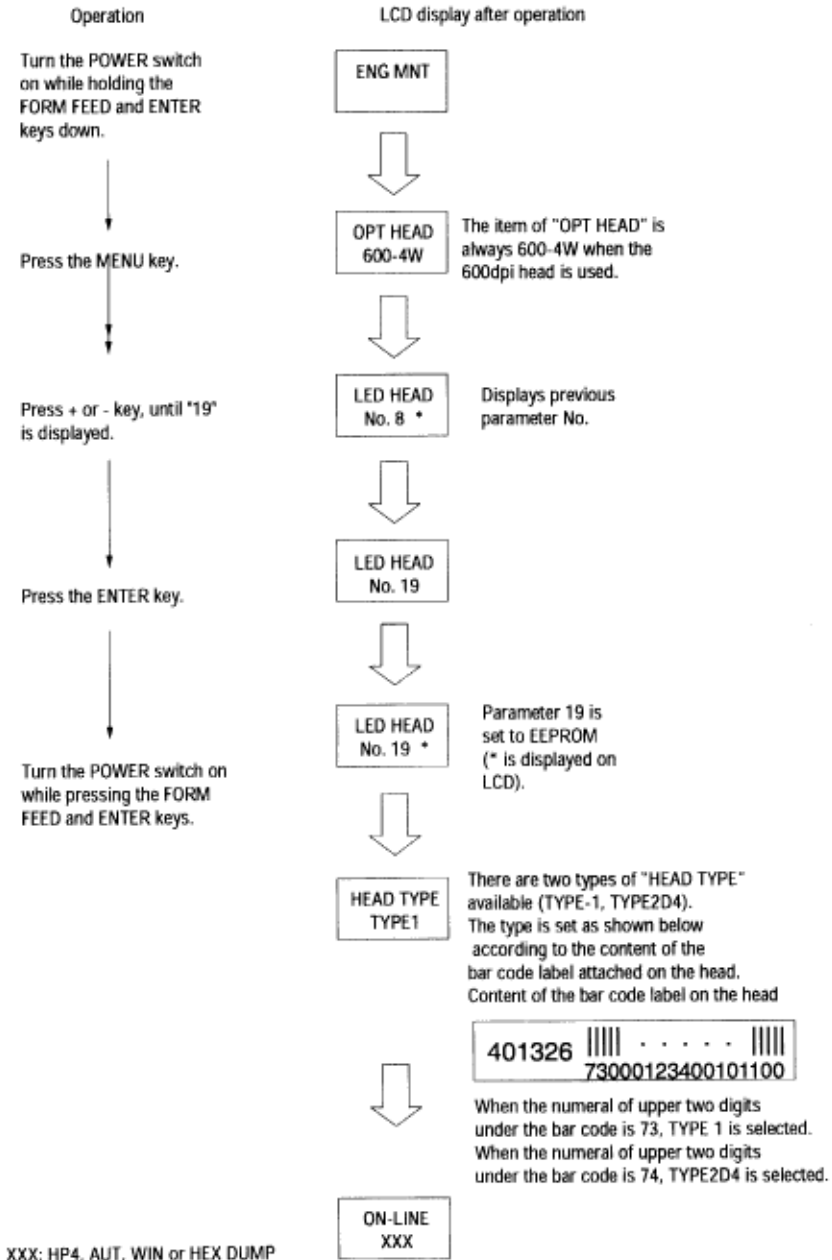
luminous intensity marking on the LED head.

Luminous Intensity Marking and Drive Time Parameter Table

Luminous intensity marking on LED head	Drive time parameter	Luminous intensity marking on LED head	Drive time parameter
027 ~ 028	27	065 ~ 069	14
029 ~ 030	26	070 ~ 073	13
031 ~ 032	25	074 ~ 079	12
033 ~ 035	24	080 ~ 084	11
036 ~ 037	23	085 ~ 090	10
038 ~ 040	22	091 ~ 096	9
041 ~ 043	21	097 ~ 103	8
044 ~ 046	20	104 ~ 110	7
047 ~ 049	19	111 ~ 118	6
050 ~ 052	18	119 ~ 126	5
053 ~ 057	17	127 ~ 135	4
058 ~ 060	16	136 ~ 144	3
061 ~ 064	15	145 ~ 154	2

Procedure

Example: Method for setting the parameter to 19 (for case where the previous parameter setting was 8).



XXX: HP4, AUT, WIN or HEX DUMP

The parts are to be replaced periodically as specified below:

Part name	Condition for replacement	Cleaning	Remarks
Toner cartridge	About 2,000 sheets of paper have been printed.	• LED head.	Consumables
Image drum cartridge	About 20,000 sheets of paper have been printed.		Consumables

Copyright 1997, Okidata, Division of OKI America, Inc. All rights reserved. See the OKIDATA Business Partner Exchange (BPX) for any updates to this material. (<http://bpx.okidata.com>)



Service Guide OKIPAGE6e

Chapter 5 Periodical Maintenance

Remove any toner or dust accumulated inside the printer. Clean in and around the printer with a piece of cloth when necessary. Use the handy cleaner (vacuum) to clean inside the printer.

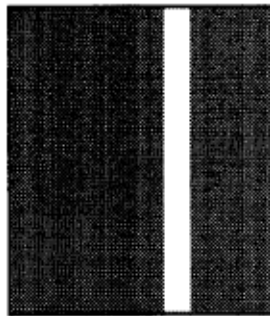
Note: Do not touch the image drum, LED lens array, or LED head connector block.

Copyright 1997, Okidata, Division of OKI America, Inc. All rights reserved. See the OKIDATA Business Partner Exchange (BPX) for any updates to this material. (<http://bpx.okidata.com>)

Clean the LED lens array or replace the toner cartridge when white lines or stripes (void, light printing) are generated vertically down the page.

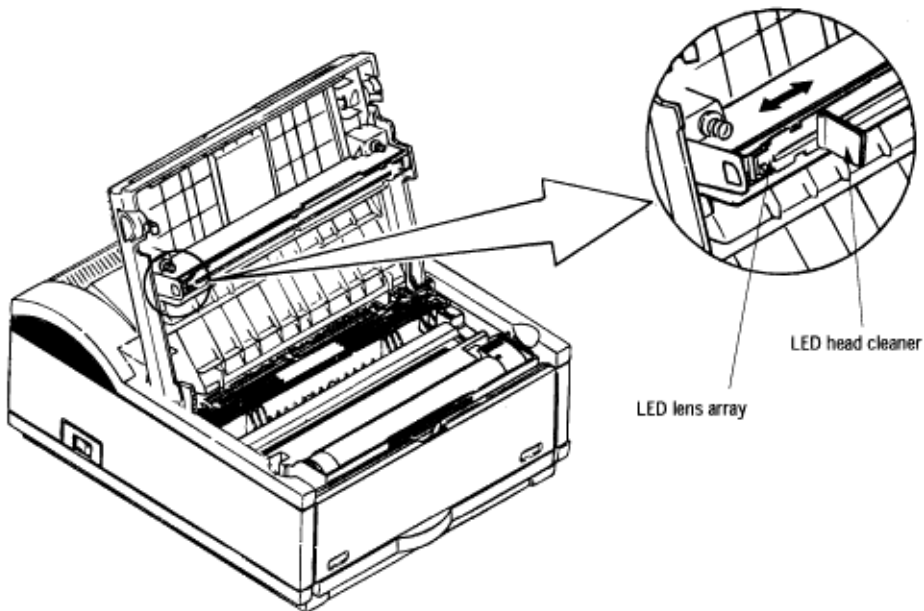
Note: The LED lens array must be cleaned with an LED head cleaner, provided with each toner kit.

White lines or stripes
(void, light printing)



(1) Set the LED head cleaner to the LED lens array as shown in the figure, then slide the cleaner back and forth horizontally several times to clean the head.

Note: Gently press the LED head cleaner onto the LED lens array.



(2) Throw the cleaner away.

Copyright 1997, Okidata, Division of OKI America, Inc. All rights reserved. See the OKIDATA Business Partner Exchange (BPX) for any updates to this material. (<http://bpx.okidata.com>)



Service Guide OKIPAGE6e

Chapter 6 Troubleshooting Procedures

6.1 Troubleshooting Tips

- (1) Check the basic check points covered in the user's manual.
 - (2) Gather as much information about the problem from the customer as possible.
 - (3) Inspect the equipment under the conditions close to those in which the problem had occurred.
-

Copyright 1997, Okidata, Division of OKI America, Inc. All rights reserved. See the OKIDATA Business Partner Exchange (BPX) for any updates to this material. (<http://bpx.okidata.com>)



Service Guide OKIPAGE6e

Chapter 6 Troubleshooting Procedures

- (1) Is the printer being used in proper ambient conditions?
 - (2) Are supplies (toner) and routine replacement parts (image drum unit) being replaced properly?
 - (3) Does the paper being used meet specifications?
 - (4) Is the image drum unit being loaded properly?
-

Copyright 1997, Okidata, Division of OKI America, Inc. All rights reserved. See the OKIDATA Business Partner Exchange (BPX) for any updates to this material. (<http://bpx.okidata.com>)



Service Guide OKIPAGE6e

Chapter 6 Troubleshooting Procedures

- (1) Do not touch, or bring foreign matter into contact with the surface of the image drum.
 - (2) Do not expose the image drum to direct sunlight.
 - (3) Keep hands away from the fuser unit as it heats up during operation.
 - (4) Do not expose the image drum to light for longer than 5 minutes at room temperature.
-

Copyright 1997, Okidata, Division of OKI America, Inc. All rights reserved. See the OKIDATA Business Partner Exchange (BPX) for any updates to this material. (<http://bpx.okidata.com>)



Service Guide OKIPAGE6e

Chapter 6 Troubleshooting Procedures

PC Display (OKIPAGE 6e)

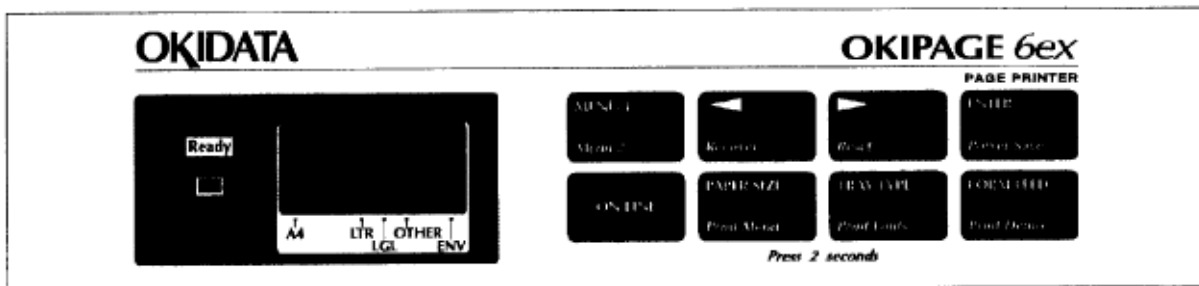
The failure status of the printer is displayed by the display of the PC. Take proper corrective action as directed by messages which are being displayed on the display of the PC.

There are 4 types of LED display status: On, Normal blinking, Fast blinking and Off.

Type	Function	Remarks
On	On-line (Ready), Warming up	
Normal blinking	Data receiving ~ Printing	0.5 sec. interval
Fast blinking	Recoverable alarm (paper end, cover open, etc.)	0.12 sec. interval
Off	Power off, Initializing, Unrecoverable alarm	

Operator Panel Display (OKIPAGE 6ex)

The failure status of the printer is displayed by the liquid crystal display (LCD) of the operator panel. Take proper corrective action as directed by messages which are being displayed on the LCD.



Status message display

Ready LED display

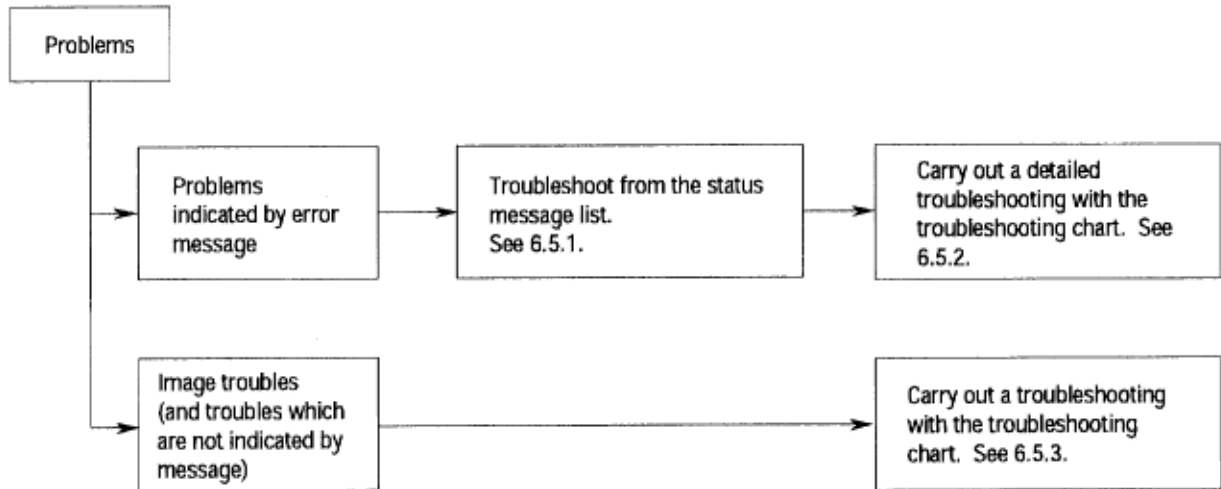




Service Guide OKIPAGE6e

Chapter 6 Troubleshooting Procedures

Should there be a problem with the printer, troubleshoot according to the following procedure flow:



Copyright 1997, Okidata, Division of OKI America, Inc. All rights reserved. See the OKIDATA Business Partner Exchange (BPX) for any updates to this material. (<http://bpx.okidata.com>)

Service Guide OKIPAGE6e

Chapter 6 Troubleshooting Procedures

The status and problems which may be displayed by messages on the LCD or PC display are listed in Table 6-1 (OKIPAGE6e) and 6-2 (OKIPAGE6ex).

PC Display Messages (Table 6-1)

Category	PC display status message	Trouble or status	Remedy
Controller errors	Controller Error	An error occurred in the controller.	<ul style="list-style-type: none"> Normal operation cannot be ensured. Turn the power off, then back on to restart. If normal operation is not recovered by this restart procedure, replace the Main Control PCB.
	Program ROM Check Error	An error was detected by program ROM check.	<ul style="list-style-type: none"> Replace the Main Control PCB. When replacing the Main Control PCB, upload/download the EEPROM data. (Refer to 4.3.1-4.)
	Font ROM Check Error	An error was detected by font ROM check.	<ul style="list-style-type: none"> Replace the Main Control PCB. When replacing the Main Control PCB, upload/download the EEPROM data. (Refer to 4.3.1-4.)
	Resident RAM Check Error	An error was detected by resident RAM check.	<ul style="list-style-type: none"> Replace the Main Control PCB. When replacing the Main Control PCB, upload/download the EEPROM data. (Refer to 4.3.1-4.)
	EEPROM Check Error	An error was detected by EEPROM check.	<ul style="list-style-type: none"> Replace the Main Control PCB. When replacing the Main Control PCB, upload/download the EEPROM data. (Refer to 4.3.1-4.)
	Optional Software ROM Check Error	An error was detected by optional software ROM check.	Check the optional software ROM board for proper connection or replace it.
	Optional RAM Check Error	An error was detected by optional RAM check.	<ul style="list-style-type: none"> Check the optional RAM board for proper connection. Check the mounting position of short plugs and additional RAM chips. (See 7.4.) Replace the optional RAM board.

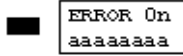
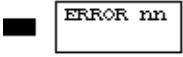

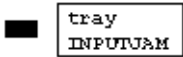
	FAN Motor Error	A fault occurred in the fan motor.	<ul style="list-style-type: none"> ● Check the fan motor for proper connection and for any presence of foreign matter in the fan. (See 6.5.2-5.) ● Replace the fan motor or the Main Control PCB.
	Fuser Error	A fault occurred in the fusing unit. (Time-out error, etc.)	See 6.5.2-4.
	Thermistor Open Check Error	A fault occurred in the fusing unit. (Thermistor open check error)	See 6.5.2-4.
	Thermistor Short Check Error	A fault occurred in the fusing unit. (Thermistor short check error)	See 6.5.2-4.
	SSIO Interface Error	Power supply board SSIO I/F error	Replace the power supply board or the Main Control PCB.
	Second Tray Time-out Error	I/F time-out occurred between the Main Control Board and the 2nd Tray.	Check the 2nd tray for proper connection.
	Multipurpose Feeder Time-out Error	I/F time-out occurred between the Main Control Board and the multi feeder.	Check the multi feeder for proper connection.
	Watch Dog Time-out Error	A watch dog time-out occurred.	<ul style="list-style-type: none"> ● Turn the power off, then back on to recover from the error. ● Replace the Main Control PCB. When replacing the Main Control PCB, upload/download the EEPROM data. (Refer to 4.3.1-4.)
Cover Open	Cover Open	The upper cover was opened.	<ul style="list-style-type: none"> ● Check the cover to release the error display. ● If the display does not change after this procedure, replace the power supply board.
Jam errors	Paper Input Jam	A jam occurred during paper hopping from the tray being displayed. Tray: Tray1, Tray2, Feeder	<ul style="list-style-type: none"> ● Check the paper in the cassette. Open and then close the cover. When the cover is closed, recovery printing is carried out and the error display is released. ● If this error occurs frequently, see 6.5.2 2-1.

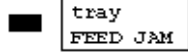
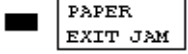
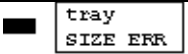
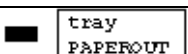
Jam errors	Paper Feed Jam	A jam occurred during paper feeding after completion of paper hopping from the tray being displayed.	<ul style="list-style-type: none"> ● Check the paper in the cassette. Open and then close the cover. When the cover is closed, recovery printing is carried out and the error display is released. ● If this error occurs frequently, see 6.5.2 2-2.
	Paper Exit Jam	Jam occurred during paper ejecting.	<ul style="list-style-type: none"> ● Check the paper in the cassette. Open and then close the cover. When the cover is closed, recovery printing is carried out and the error display is released. ● If this error occurs frequently, see 6.5.2 2-3.
Paper size error	Paper Size Error	Paper of improper size is being fed from the tray being displayed.	<ul style="list-style-type: none"> ● Check the paper in the tray or heck to see if more than one sheet of paper were being fed simultaneously. ● Set the designated paper in the tray. ● Open the cover, then close it to carry out recovery printing and release the error display. ● If this error occurs frequently, see 6.5.2-3.
Tray paper out	Tray# Paper Out	The tray being displayed has run out of paper. Tray# : Standard Tray, Second Tray, Multipurpose Feeder # : Executive, Letter, Legal14, Legal13, A4, A5, A6, B5, Monarch, COM-10, COM-9, DL, C5	Load paper in the tray.
Size errors	Tray# #Paper Request	Loading of paper indicated by the second line message to the first line's tray is requested. Tray# : Standard Tray, Second Tray, Multipurpose Feeder, Manual # : Executive, Letter, Legal14, Legal13, A4, A5, A6, B5, Monarch, COM-10, COM-9, DL, C5	Load the requested paper in the tray.

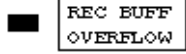
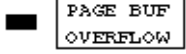
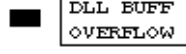
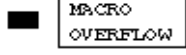
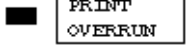
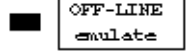
Buffer overflow	Receive Buffer Overflow	The receive buffer is overflowing.	
	Page Buffer Overflow	The page buffer is overflowing because it received too much data for printing on the page.	
	DLL Buffer Overflow	The DLL buffer is overflowing.	
	Macro Buffer Overflow	Macro buffer is overflowing.	
	Send Buffer Overflow	The send buffer is overflowing.	Normal operation
	Print Overrun Error	The printer overrun because the print data is too complicated to be printed.	
Daily status	Ready Warming Up	The printer is warming up.	
	Initializing	Message displayed to indicate that the controller is undergoing an initialization when the power is turned on.	
	Ready	The printer is the on-line mode.	
	Ready Power Saving	The printer is in the power-saving mode.	
	Printing Demo	The printer is printing a demo page.	
	Printing Menu	The printer is printing a menu page.	
	Printing Fonts	The printer is printing a font page.	
	Printing	The printer is printing a page.	
	Ejecting	The printer is ejecting a page.	
	Manual Paper In	There is a paper on the manual tray.	
	Reset	The data which remained unprinted in the buffer is deleted and the printer is initialized to user default settings. The temporary DLLs and macro are deleted.	
	Ready Toner Low Ready Toner Sensor Problem	Toner is running out. Normal operation can be continued.	<ul style="list-style-type: none"> ● Replace the toner cartridge.

	Toner Sense	A fault occurred in the toner sensor. Normal operation can be continued.	<ul style="list-style-type: none"> Replace the power supply board.
	Ready Change Drum Unit	Image drum is running out. Normal operation can be continued.	<ul style="list-style-type: none"> Replace the image drum unit. After replacing the drum unit, reset the drum counter. (Refer to the User's Manual.)

LCD Status Messages (Table 6-2)

Category	LCD status message	Trouble or status	Remedy
Controller errors		An error occurred in the controller. n = Exception Code aaaaaaa = Error Address	<ul style="list-style-type: none"> Normal operation cannot be ensured. Turn the power off, then back on to restart. If normal operation is not recovered by this restart procedure, replace the Main Control PCB.
		An error occurred in the controller.	<ul style="list-style-type: none"> Turn the power off, then back on to recover from the error. If the normal operation is not recovered by this restart procedure, use the following remedial actions.
Cover open		The upper cover was opened.	<ul style="list-style-type: none"> Close the cover to release the error display. If the display does not change after this procedure, replace the power supply board.
Jam errors		A jam occurred during paper hopping from the tray being displayed tray: TRAY 1, TRAY 2, FEEDER	<ul style="list-style-type: none"> Check the paper in the cassette. Open and then close the cover. When the cover is closed, recovery printing is carried out and the error display is released. If this error occurs frequently, see 6.5.2 2-1.

		<p>A jam occurred during paper feeding after completion of paper hopping from the tray being displayed. tray: TRAY 1, TRAY 2, FEEDER</p>	<ul style="list-style-type: none"> ● Open the cover, remove the paper, then close the cover. When the cover is closed, recovery printing is carried out and the error display is released. ● If this error occurs frequently, see 6.5.2 2-2.
		<p>Jam occurred during paper ejecting.</p>	<ul style="list-style-type: none"> ● Open the cover, remove the paper, then close the cover. When the cover is closed, recovery printing is carried out and the error display is released. ● If this error occurs frequently, see 6.5.2 2-3.
Paper size error		<p>Paper of improper size is being fed from the tray being displayed. tray: TRAY 1, TRAY 2, FEEDER</p>	<ul style="list-style-type: none"> ● Check the paper in the tray or check to see if more than one sheet of paper were being fed simultaneously. ● Set the designated paper in the tray. ● Open the cover, then close it to carry out recovery printing and release the error display. ● If this error occurs frequently, see 6.5.2-3.
Tray paper out		<p>The tray being displayed has run out of paper. tray: TRAY 1, TRAY 2, FEEDER</p>	<p>Load paper in the tray.</p>

Buffer overflow	 (for OKIPAGE 6ex, in HP 4 mode)	The receive buffer is overflowing.	<ul style="list-style-type: none"> • Press the operator panel RECOVER key to release the error display. • Change the setting of the host or printer so the host can detect the busy status of the printer. Resend the data from the host to the printer. • Replace the interface cable or control board.
	 (for OKIPAGE 6ex, in HP 4 mode)	The page buffer is overflowing because it received too much data for printing on the page.	<ul style="list-style-type: none"> • Press the operator panel RECOVER key to release the error display. • Install additional optional RAM board or reduce the print data.
	 (for OKIPAGE 6ex, in HP 4 mode)	The DLL buffer is overflowing.	<ul style="list-style-type: none"> • Press the operator panel RECOVER key to release the error display. • Install additional optional RAM board or reduce the DLL data.
	 (for OKIPAGE 6ex, in HP 4 mode)	Macro buffer is overflowing.	<ul style="list-style-type: none"> • Press the operator panel RECOVER key to release the error display. • Install additional optional RAM board or reduce the macros.
	 (for OKIPAGE 6ex, in HP 4 mode)	The printer overrun because the print data is too complicated to be printed.	<ul style="list-style-type: none"> • Press the operator panel RECOVER key to release the error display. • Simplify page data formatting.
Daily status		The printer is in the off-line mode. The second line indicates the emulation. emulate: HP4, AdobePS	Normal operation.

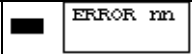
	<input type="checkbox"/> PROC'S' NG (OKIPAGE6ex in PS mode)	Post Script mode only. The printer is processing data	Normal operation.
	<input type="checkbox"/> WRITING (OKIPAGE6ex in PS mode)	Post Script mode only. The printer is in the middle of a job and waiting for data to be processed.	Normal operation.
	<input type="checkbox"/> PRINTING	The printer is printing a page.	Normal operation.
	<input type="checkbox"/> DATA HP4 (for OKIPAGE6ex, in HP 4 mode)	The printer is processing data in on-line mode. Ready ON: The data that is not printed remains in the buffer. Ready flashing: The printer is receiving data.	Normal operation.
	<input checked="" type="checkbox"/> PRINT FONTS	All fonts of the printer are being printed during self-test.	Normal operation.
	<input type="checkbox"/> PRINT MENU	The current menu setting is being printed. Ready ON: Executed by command entry. Ready flashing: Executed by key operation.	Normal operation.
	<input checked="" type="checkbox"/> PRINT DEMO	The demo page is being printed.	Normal operation.
	<input type="checkbox"/> nnnn/nnnn CEP/nnn/nnn (for OKIPAGE6ex, in HP 4 mode)	When the number of copies being printed is two or more, the number of copies being printed is displayed. This message is displayed together with another message on the first line.	Normal operation.
	<input type="checkbox"/> PR BUSY (OKIPAGE6ex in PS mode)	Post Script mode only This message is displayed when ON-LINE key is pressed when the printer is processing the job, if the JOB RESET menu is OFF. The printer will go off-line after completing the job.	Normal operation.

	<input checked="" type="checkbox"/> RESET TO FLUSH (OKIPAGE6ex in PS mode)	Post Script mode only This message is displayed when ON-LINE key is pressed while the printer is processing the job, if the JOB RESET menu is ON. Even while this message is being displayed, the printer continues to process processing the job normally.	<ul style="list-style-type: none"> ● Press ON-LINE key again The printer goes back to on-line mode and continues processing the job. ● Press RESET key. The job is canceled.
	<input type="checkbox"/> FLUSHING (OKIPAGE6ex in PS mode)	Post Script mode only This message is displayed during canceling of a job. The message goes off when the job cancellation is completed.	Normal operation.
	<input checked="" type="checkbox"/> PR BUSY (for OKIPAGE6ex, in HP 4 mode)	The data which remained unprinted in the buffer is deleted and the printer is initialized to user default settings. The temporary DLLs and macros are deleted.	Normal operation.
	<input checked="" type="checkbox"/> RESET TO SAVE (for OKIPAGE6ex, in HP 4 mode)	This message is displayed when the printer cannot reset automatically to exit from the menu because there are data and DLL's and macros having temporary attributes when the printer is changed from set mode to other mode.	Normal operation.
	<input type="checkbox"/> TONERLOW	Toner is running out. This message is displayed together with other message on the first line. Normal operation can be continued.	<ul style="list-style-type: none"> ● Replace the toner cartridge.
	<input type="checkbox"/> TONERSNS	A fault occurred in the tonersensor. This message is displayed together with other message on the first line. Normal operation can be continued.	<ul style="list-style-type: none"> ● Replace the power supply board.

	<input type="checkbox"/> <div style="border: 1px solid black; padding: 2px; display: inline-block;">CHG DRUM</div>	This message is displayed together with other message on the first line. Normal operation can be continued.	<ul style="list-style-type: none"> • Replace the image drum cartridge. • After replacing the drum cartridge, reset the drum counter (refer to the User's Manual).
	<input type="checkbox"/> <div style="border: 1px solid black; padding: 2px; display: inline-block;">PWR. SAVE</div>	The printer is in the power-saving mode. This message is displayed together with other message on the first line.	Normal operation.
	<input checked="" type="checkbox"/> <div style="border: 1px solid black; padding: 2px; display: inline-block;">ERROR PS AdobePS</div> (OKIPAGE6ex in PS mode)	PostScript mode only This message will appear when the interpreter detects an error during a job processing. The remainder of the job will be ignored.	<ul style="list-style-type: none"> • Check the printer setting of the host. • Check the printer job data to see if there is any unsupported or illegal operation in the data.

Table 6-2 (Cont'd)

Category	LCD status message	Code (nn)	Error	Remedy
Controller errors	<input checked="" type="checkbox"/> <div style="border: 1px solid black; padding: 2px; display: inline-block;">ERROR nn</div>	0n	A fault occurred in the controller. n = Exception Code	Replace the Main Control PCB.
		10	An error was detected by program ROM check.	Replace the Main Control PCB.
		20	An error was detected by font ROM check.	Replace the Main Control PCB.
		30	An error was detected by resident RAM check.	Replace the Main Control PCB.
		40	An error was detected by EEPROM check.	<ul style="list-style-type: none"> • Replace the EEPROM or Main Control PCB. • EEPROM
		50	An error was detected by optional software ROM check.	Check the optional software ROM board for proper connection or replace it.

Controller errors		60	An error was detected by optional RAM check.	<ul style="list-style-type: none"> ● Check the optional RAM board for proper connection. ● Check the mounting position of short plugs and additional RAM chips (see 7.4). ● Replace the option RAM board.
		70	A fault occurred in the Fan motor.	<ul style="list-style-type: none"> ● Check the fan motor for proper connection and for any presence of foreign matter in the fan (see 6.5.2-5). ● Replace the fan or the Main Control PCB.
		71	A fault occurred in the fuser (time-out error etc.).	See 6.5.2-4.
		72	A fault occurred in the fuser (thermistor open error).	See 6.5.2-4.
		73	A fault occurred in the fuser (thermistor short error).	See 6.5.2-4.
		74	Power supply board SSIO I/F error	Replace the power supply board or the Main Control PCB.
		80	I/F time-out occurred between the Main Control PCB and the operator panel.	<ul style="list-style-type: none"> ● Check the operator panel for proper connection. ● Replace the flexible cable, operator panel or Main Control PCB.

		81	I/F time-out occurred between the Main Control PCB and the optional tray (2nd tray, envelope feeder, etc.).	Check the optional tray for proper connection.
		90	A watchdog timer time-out occurred.	<ul style="list-style-type: none"> ● Turn the power off, then back on to recover from the error. ● Replace the Main Control PCB.
		91	Invalid CPU was used.	<ul style="list-style-type: none"> ● Check valid CPU list.

Copyright 1997, Okidata, Division of OKI America, Inc. All rights reserved. See the OKIDATA Business Partner Exchange (BPX) for any updates to this material. (<http://bpx.okidata.com>)



Service Guide OKIPAGE6e

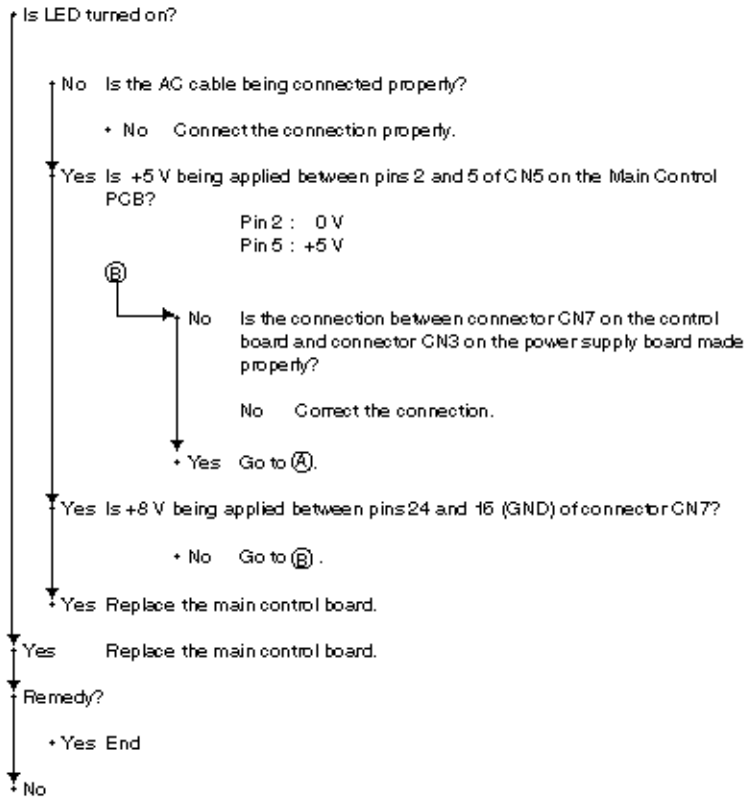
Chapter 6 Troubleshooting Procedures

If the problems are not correctable by using the status message trouble list, follow the troubleshooting flowcharts given here to deal with them.

No.	Trouble		Flowchart number
1.	The printer does not work normally after the power is turned on.		1-1
2.	Jam alarm	Paper input jam	2 -1
		Paper feed jam	2 -2
		Paper exit jam	2 -3
3.	Paper size error		3
4.	Fusing unit error		4
5.	Fan error		5

Copyright 1997, Okidata, Division of OKI America, Inc. All rights reserved. See the OKIDATA Business Partner Exchange (BPX) for any updates to this material. (<http://bpx.okidata.com>)

+ Turn the power off, then back on.



(A)

Take the measurement of the following voltages at connector CN2 on the power supply board:

Voltage between pins 1 and 3: ... about 28 V AC
Voltage between pins 5 and 6: ... about 10 V AC Are the voltages normal?

Yes Is fuse F3 on the power supply board open?

+ No Replace the power supply board.

Yes Replace fuse F3 (if it blows again, check the resistance of the registration and drum motors (see 7.3). If the resistance is wrong, replace motors or replace the power supply board or Main Control PCB).

No Is the AC input voltage output between pins 1 and 2 of connector CN1 on the power supply board normal?

+ Yes Replace the AC transformer.

No Is fuse F1 or F2 on the power supply board open?

+ No Replace the power supply board.

Yes Replace open fuse F1 or F2 (if it opens again, replace the power supply board).

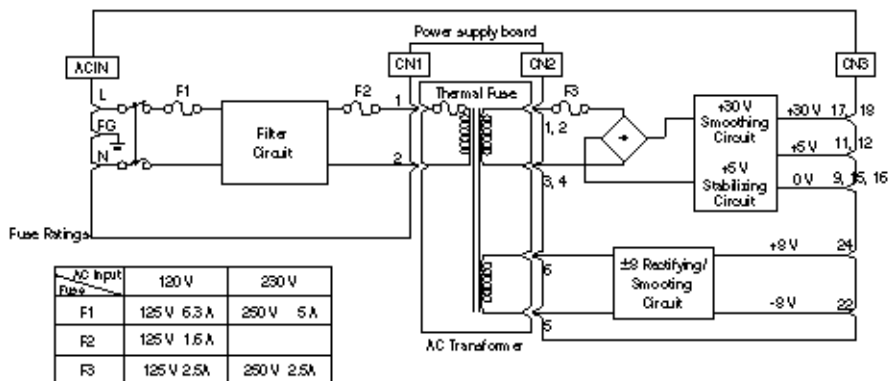


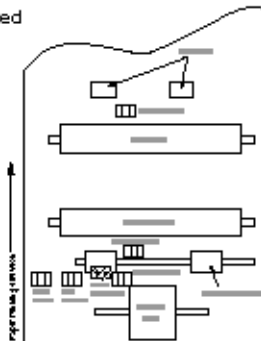
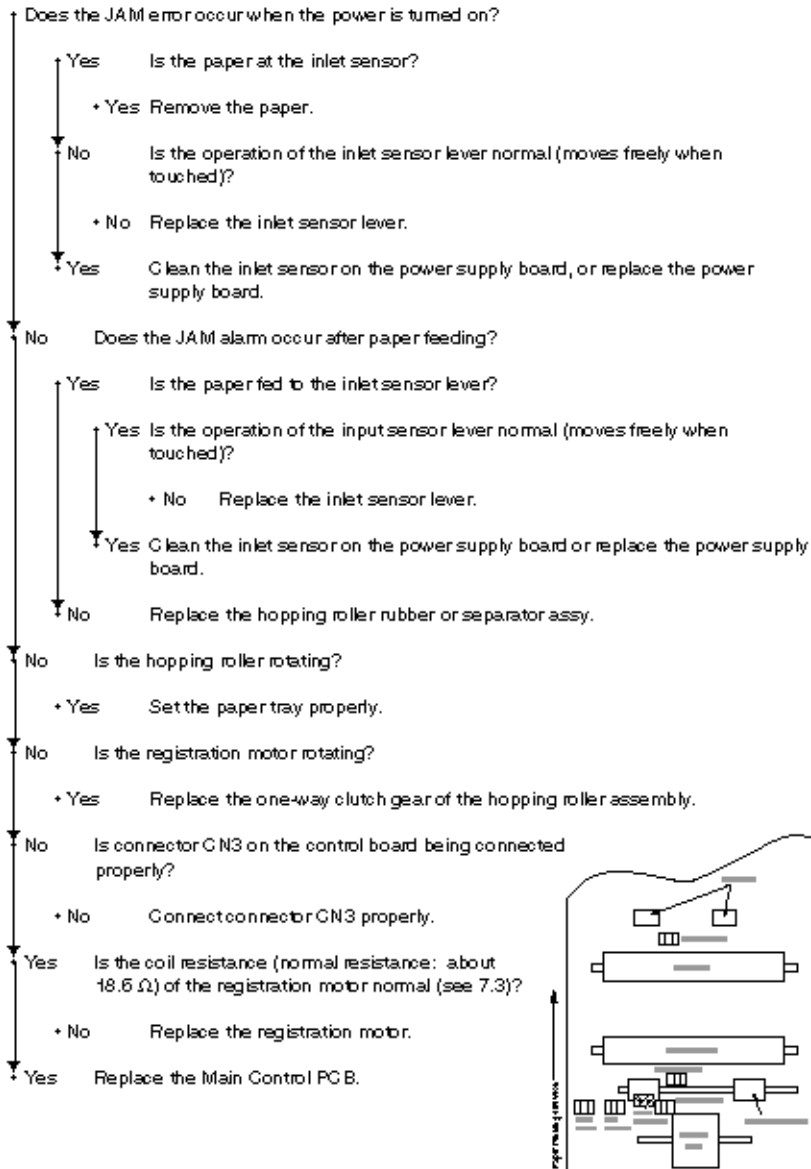
Figure 6-1 Low-voltage Power Supply Block Diagram



Service Guide OKIPAGE6e

Chapter 6 Troubleshooting Procedures

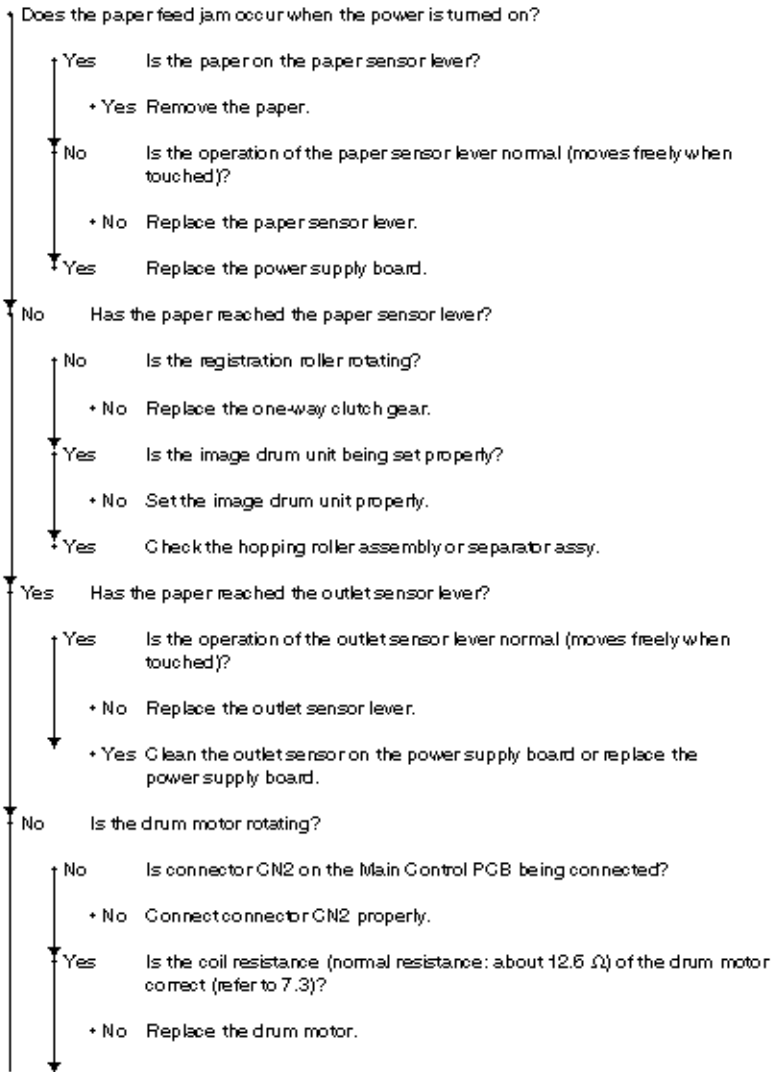
2-1 Paper Input Jam



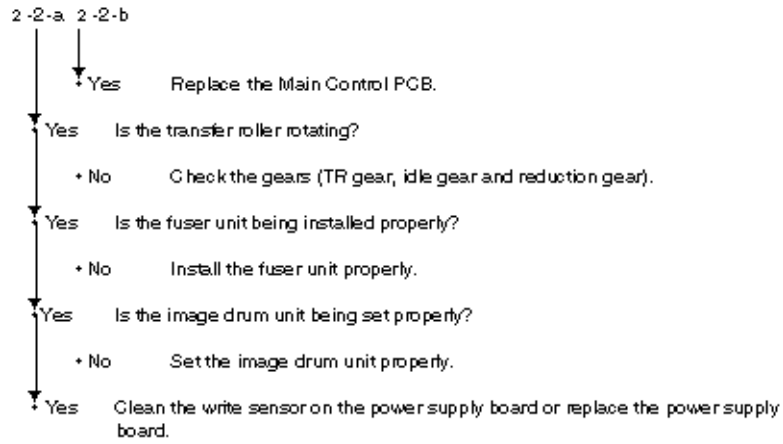


Service Guide OKIPAGE6e

Chapter 6 Troubleshooting Procedures



2 -2-a 2 -2-b

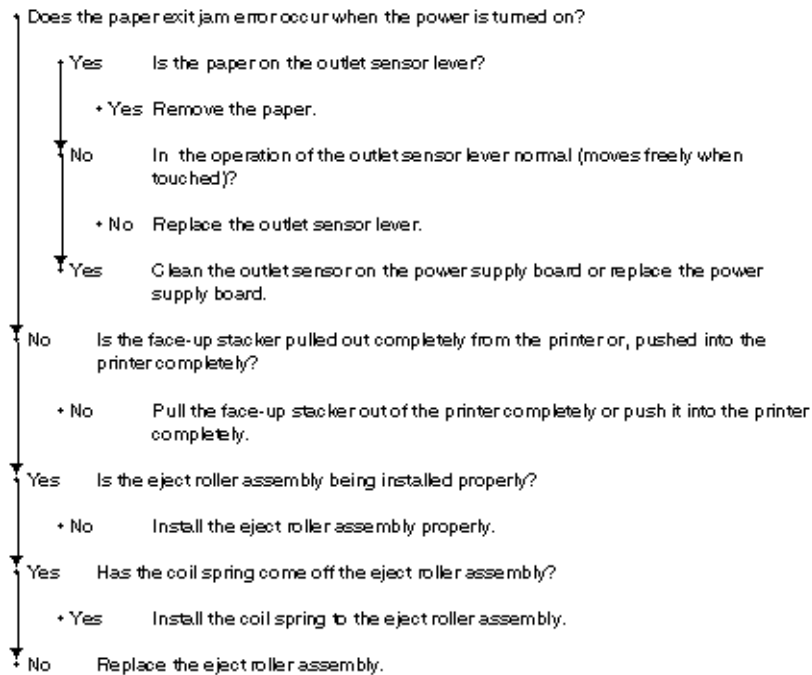


Copyright 1997, Okidata, Division of OKI America, Inc. All rights reserved. See the OKIDATA Business Partner Exchange (BPX) for any updates to this material. (<http://bpx.okidata.com>)

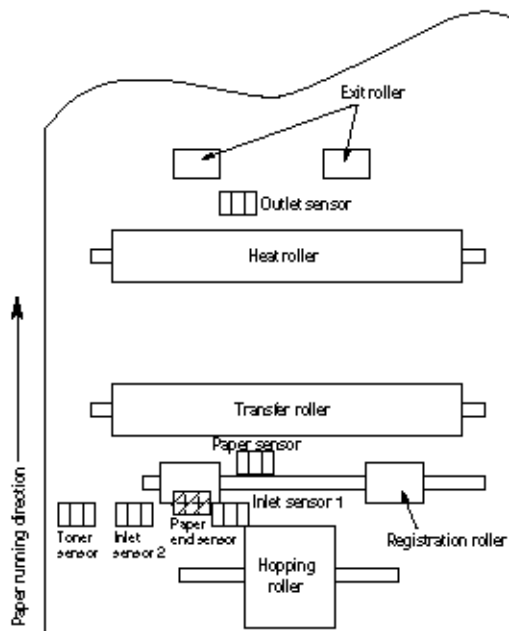


Service Guide OKIPAGE6e

Chapter 6 Troubleshooting Procedures



- Is paper of the specified size being used?
- No Use paper of the specified size.
- Yes Are inlet sensor levers 1 and 2 operating properly (moves freely when touched)?
- No Replace the inlet sensor lever or clean the inlet sensor on the power supply board.
- Yes Does the outlet sensor lever operate properly (moves freely when touched)?
- No Replace the outlet sensor lever or clean the outlet sensor on the power supply board.
- Yes Replace the power supply board.



• Turn the power off, then back on.

Does the fusing unit error occur immediately?

Yes Is the thermistor open or shorted?
Measure the resistance between thermistor contacts (about $220k\Omega$ at room temperature) (see Fig. 6-2 or see 7.3).

• Yes Replace the fusing unit.

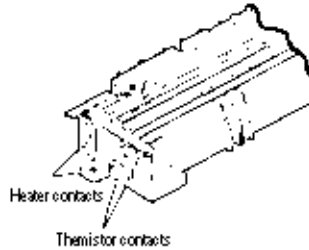


Figure 6-2

No Do the thermistor contacts touch the contact assembly properly when the fusing unit is mounted in the printer (see Fig. 6-4 contact ①)?

• No Adjust the contact.

Yes Replace the Main Control PCB or power supply board.

No Does the fusing unit error occur about 60 seconds after the power is turned on?

• No Check the thermistor for poor contact or replace the Main Control PCB.

Yes Turn the power off, then back on.

Is the heater of the fusing unit turned on (when the heater is turned on, light is emitted)?

• Yes Check thermistor contacts or replace the Main Control PCB or the fuser unit.

No Is the heater or the thermostat open?
Measure the resistance between the heater contacts (normal resistance: about 0Ω) (see Fig. 6-2 or see 7.3).

• Yes Replace the fusing unit.

No Is the AC voltage being supplied to the contacts for the heater of the contact assembly? (Refer Fig. 6-2)

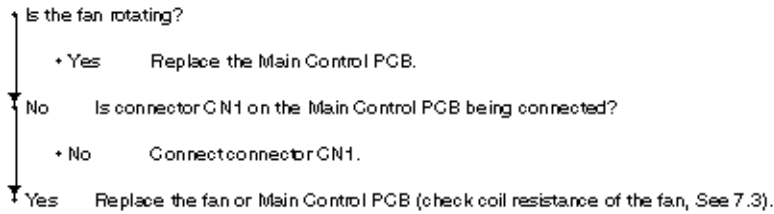
• No Replace the Main Control PCB or the power supply board.

Yes Check the heat contact of the fusing unit and the contact assembly for poor contact (see Fig. 6-4 contact ③).



Service Guide OKIPAGE6e

Chapter 6 Troubleshooting Procedures



Copyright 1997, Okidata, Division of OKI America, Inc. All rights reserved. See the OKIDATA Business Partner Exchange (BPX) for any updates to this material. (<http://bpx.okidata.com>)




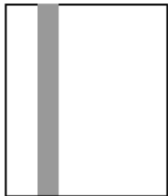
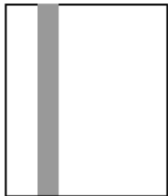



Service Guide OKIPAGE6e
Chapter 6 Troubleshooting Procedures

Procedures for troubleshooting for the cases of abnormal image printouts are explained below.

Figure 6-3 below shows typical abnormal images.

Problem	Flowchart number
Images are light or blurred entirely (Figure 6-3, A)	1
Dark background density (Figure 6-3, B)	2
Blank paper is output (Figure 6-3, C)	3
Black vertical stripes (Figure 6-3, D)	4
Cyclical defect (Figure 6-3, E)	5
Print voids	6
Poor fusing (images are blurred or peeled off when touched by hands)	7
White vertical streaks (Figure 6-3, F)	8

		
A Light or blurred images entirely	B Dark background density	C Blank paper
		
D Black vertical stripes	E Cyclical defect	F White vertical belts or streaks



Service Guide OKIPAGE6e

Chapter 6 Troubleshooting Procedures

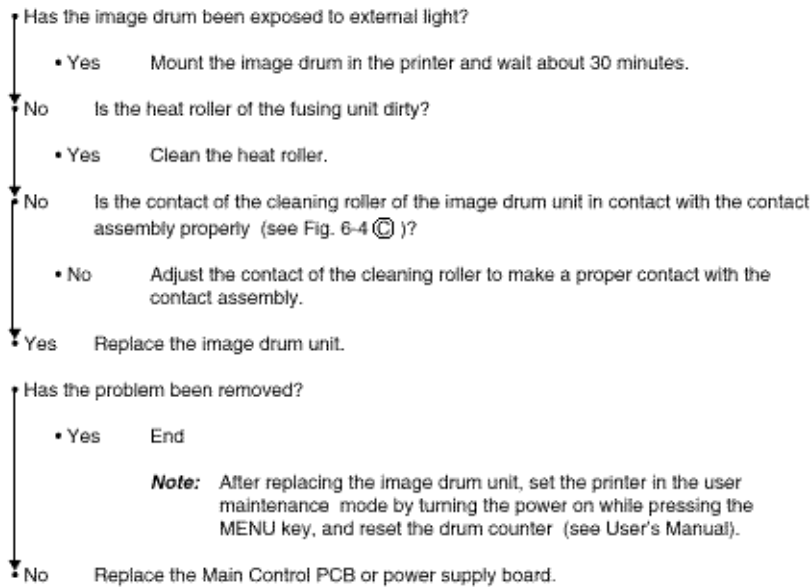
- Is toner low (is the TONER LOW message displayed)?
 - Yes Supply toner.
- ▼ No Is paper of the specified grade being used?
 - No Use paper of the specified grade.
- ▼ Yes Is the lens surface of the LED head dirty?
 - Yes Clean the lens.
- ▼ No Is the LED head being installed properly (check connector CN4 (OKIPAGE 6e) or HEAD1, HEAD2 (OKIPAGE 6ex) of the control board and PC connector on the LED head for proper connection)?
 - No Install the LED head properly.
- ▼ Yes Is the contact plate of the transfer roller in contact with the contact assembly of the power supply board properly (see Fig. 6-5)?
 - Adjust the contact plate of the transfer roller to make a proper contact with the power supply board and shaft of the transfer roller.
- ▼ Yes Are the contact of the developing roller and the contact of the toner supply roller of the image drum unit in contact with the contact assembly properly (see Fig. 6-4 (A) and (B))?
 - No Adjust the contacts of the developing and toner supply roller to make a proper contact with the contact assembly.
- ▼ Yes Replace the transfer roller.
- Has the problem been removed?
 - Yes End
- ▼ No Replace the image drum unit.
- Has the problem been removed?
 - Yes End

Note: After replacing the image drum unit, set the printer in the user maintenance mode by turning the power on while pressing the MENU key and reset the drum counter (see User's Manual).
- ▼ No Replace the control board or power supply board.



Service Guide OKIPAGE6e

Chapter 6 Troubleshooting Procedures





Service Guide OKIPAGE6e

Chapter 6 Troubleshooting Procedures

Is the LED head being connected properly (check connector CN4 (OKIPAGE 6e) or HEAD1, HEAD2 (OKIPAGE 6ex) on the Main Control PCB and PC connector on the LED head)?

- No Connect the LED head properly or replace the head cable.

Yes Is the contact of the image drum unit in proper contact with the ground contact properly (see Fig. 6-4 ())?

- No Check the ground contact of the image drum unit.

Yes Replace the LED head.

Has the problem been removed.

- Yes End

Note: After replacing the LED head, set the printer in the engine maintenance mode by turning the power on while pressing the FORM FEED and ENTER keys. Set the LED head drive time if the luminous rating of the old LED head and new the LED head are different (see 4.2).

No Replace the Main Control PCB or power supply board.

+ Replace the image drum unit.

↑ Has the problem been removed?

+ Yes End

Note: After replacing the image drum unit, set the printer in the user maintenance mode by turning the power on while pressing the MENU key, and reset the drum counter (see User's Manual).

↓ No Replace the LED head.

↑ Has the problem been removed.

+ Yes End

Note: After replacing the LED head, set the printer in the engine maintenance mode by turning the power on while pressing the FORM FEED and ENTER keys. Set the LED head drive time if the luminous rating of the old LED head and the new LED head are different (see 4.2).

↓ No Replace the Main Control PCB or power supply board.



Service Guide OKIPAGE6e

Chapter 6 Troubleshooting Procedures

	Frequency	Remedy
Image drum	3.71" (94.2 mm)	Replace or clean the image drum unit.
Developing roller	1.66" (44.4 mm)	Replace the image drum unit.
Toner supply roller	2.27" (57.8 mm)	Replace the image drum unit.
Charging roller	1.56" (39.6 mm)	Replace the image drum unit.
Cleaning roller	1.24" (31.4 mm)	Replace the image drum unit.
Transfer roller	2.01" (51.0 mm)	Replace the transfer roller.
Heat roller	2.47" (62.8 mm)	Replace the fusing unit assy.
Back-up roller	2.72" (69.08 mm)	Replace the back-up roller.

Notes:

1. After replacing the image drum unit, set the printer in the user maintenance mode by turning the power on while pressing the MENU key, and reset the drum counter (see User's Manual).
2. After replacing the fusing unit assy, set the printer in the engine maintenance mode by turning the power on while pressing the FORM FEED and ENTER keys, and reset the fuser counter (see 4.1).

Copyright 1997, Okidata, Division of OKI America, Inc. All rights reserved. See the OKIDATA Business Partner Exchange (BPX) for any updates to this material. (<http://bpx.okidata.com>)



Service Guide OKIPAGE6e

Chapter 6 Troubleshooting Procedures

Is the contact plate of the transfer roller in proper contact with the power supply board (see Fig. 6-5)?

- + No Adjust the contact plate so that it touches the power supply board and the shaft of the transfer roller properly.

Yes Replace the transfer roller.

Has the problem been removed.

- + Yes End

No Are the contacts of the toner supply roller, developing roller, image drum and charging roller in proper contact with the contact assy (see Fig. 6-4 (A), (B), (C), (D), (E))?

- + No Adjust the contacts so that they touch the contact assy properly.

Yes Replace the image drum unit.

Has the problem been removed?

- + Yes End

Note: After replacing the image drum unit, set the printer in the user maintenance mode by turning the power on while pressing the MENU key, and reset the drum counter (see User's Manual).

No Is the LED head being installed properly (check connector CN4 (OKIPAGE 6e) or HEAD1, HEAD2 (OKIPAGE 6ex) on the Main Control PCB and PG Connector on the LED head)?

- + No Install the LED head properly.

Yes Replace the LED head or the head cable.

Has the problem been removed?

Yes End

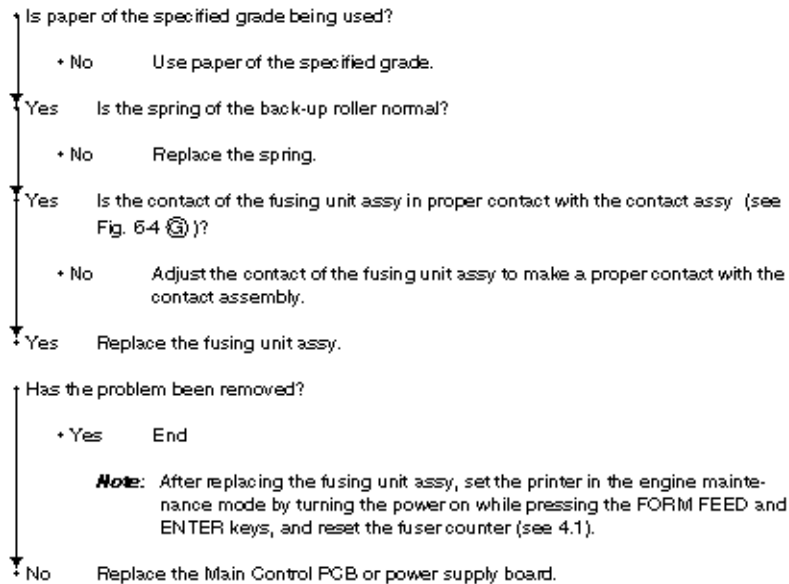
Note: After replacing the LED head, set the printer in the engine maintenance mode by turning the power on while pressing the FORM FEED and ENTER keys. Set the LED head drive time (see 4.2).

No Replace the Main Control PCB or power supply board.



Service Guide OKIPAGE6e

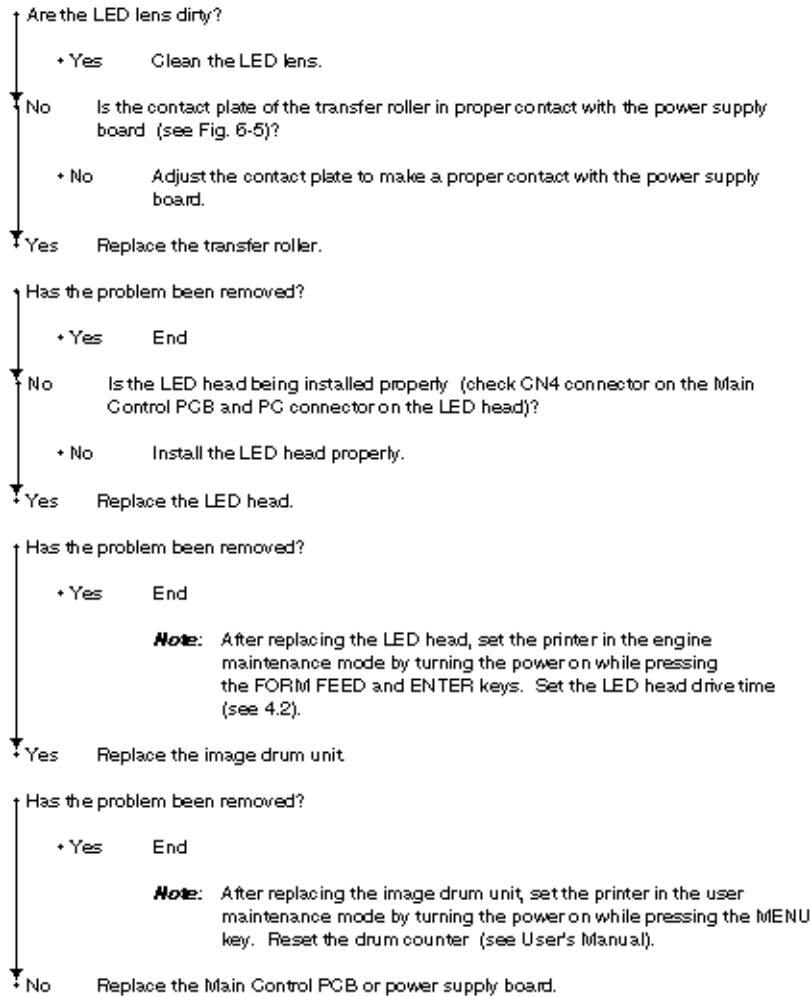
Chapter 6 Troubleshooting Procedures





Service Guide OKIPAGE6e

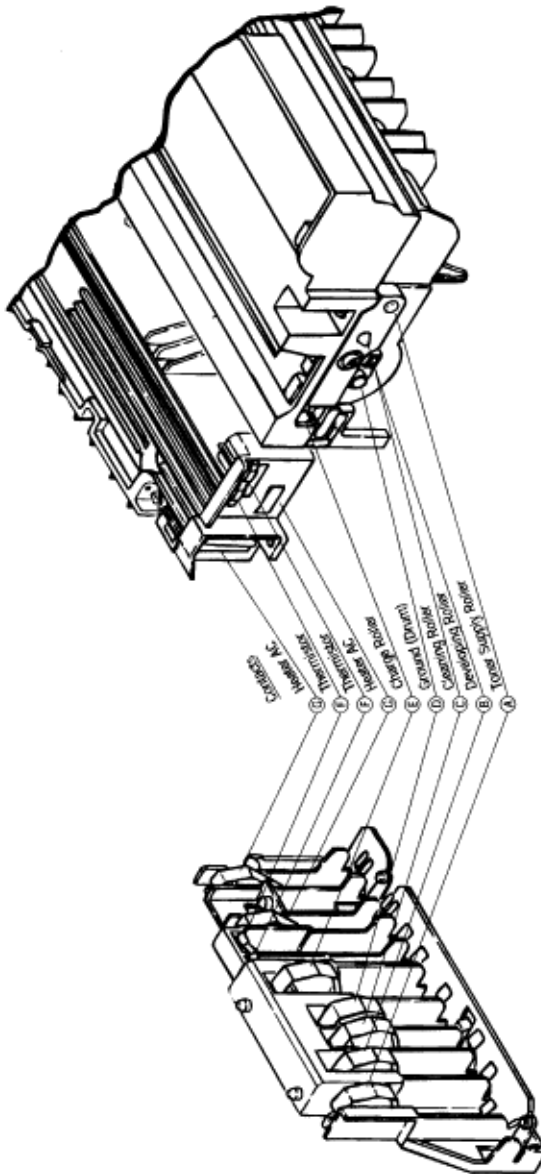
Chapter 6 Troubleshooting Procedures





Service Guide OKIPAGE6e

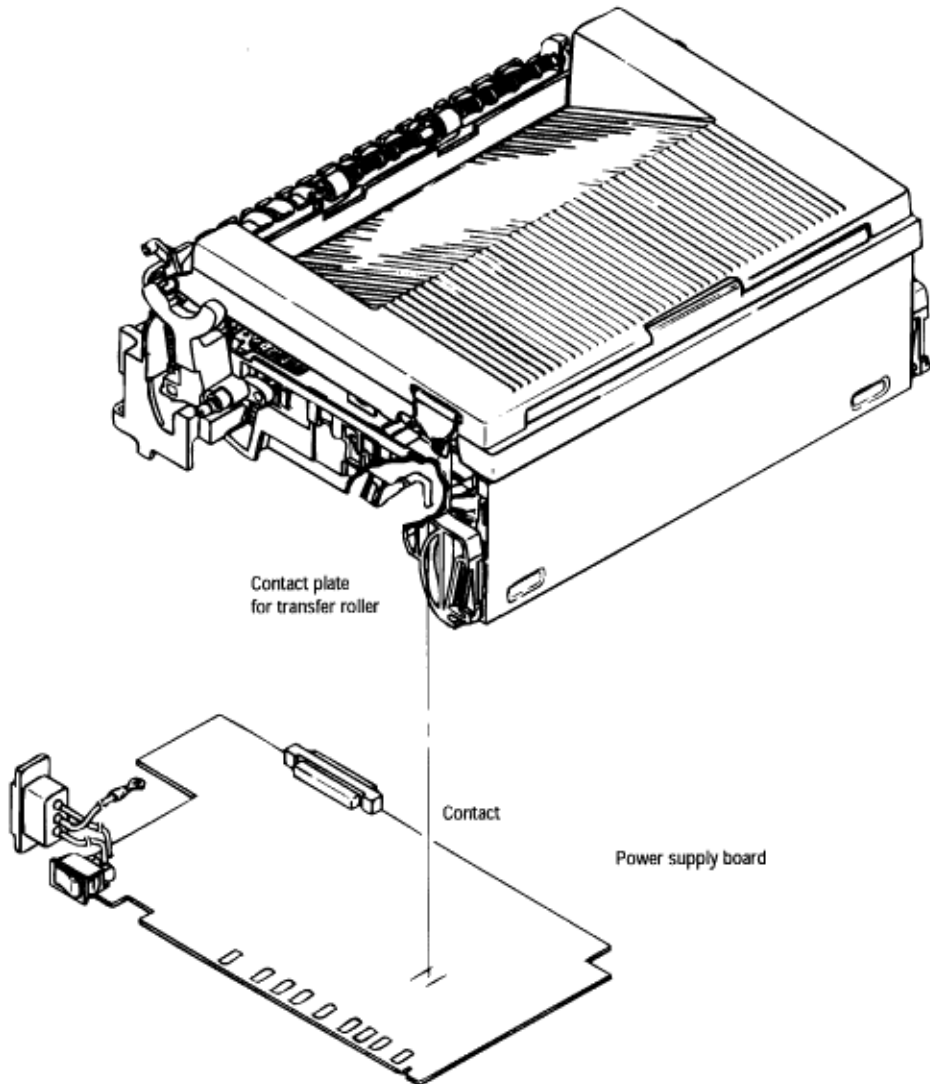
Chapter 6 Troubleshooting Procedures

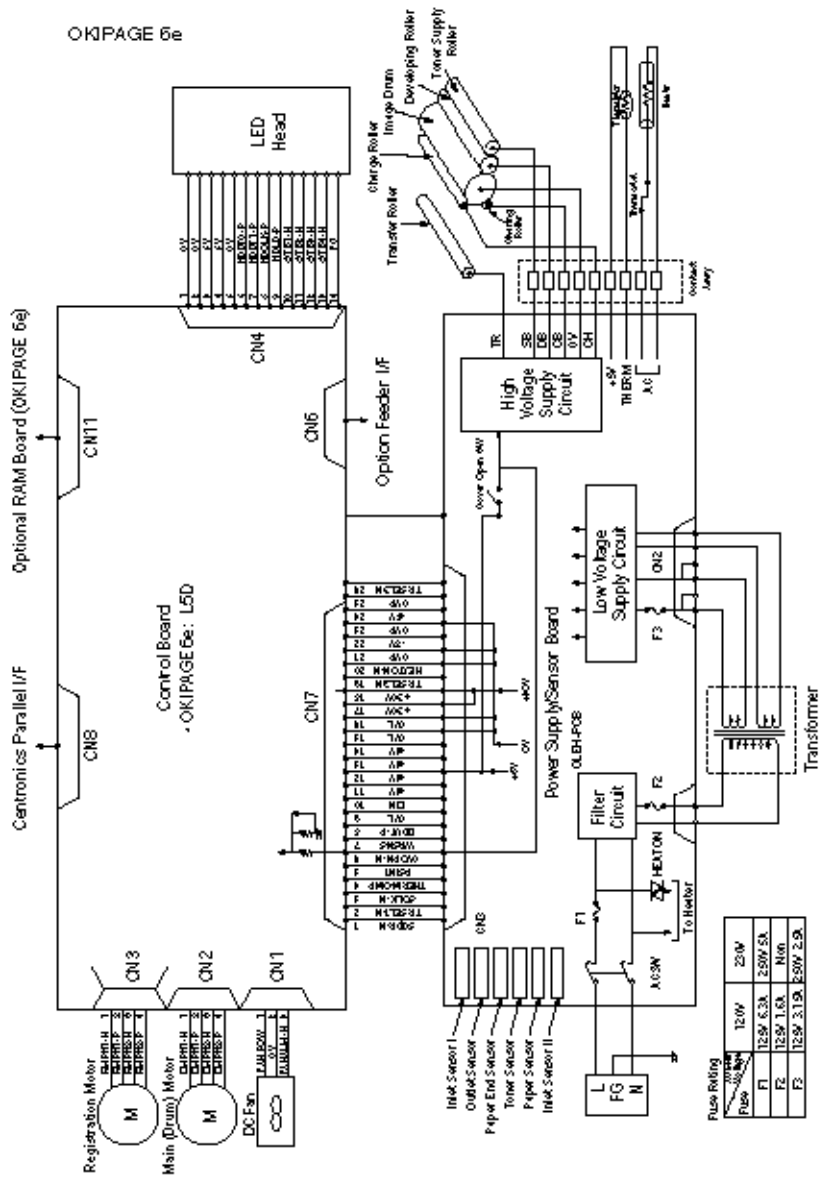


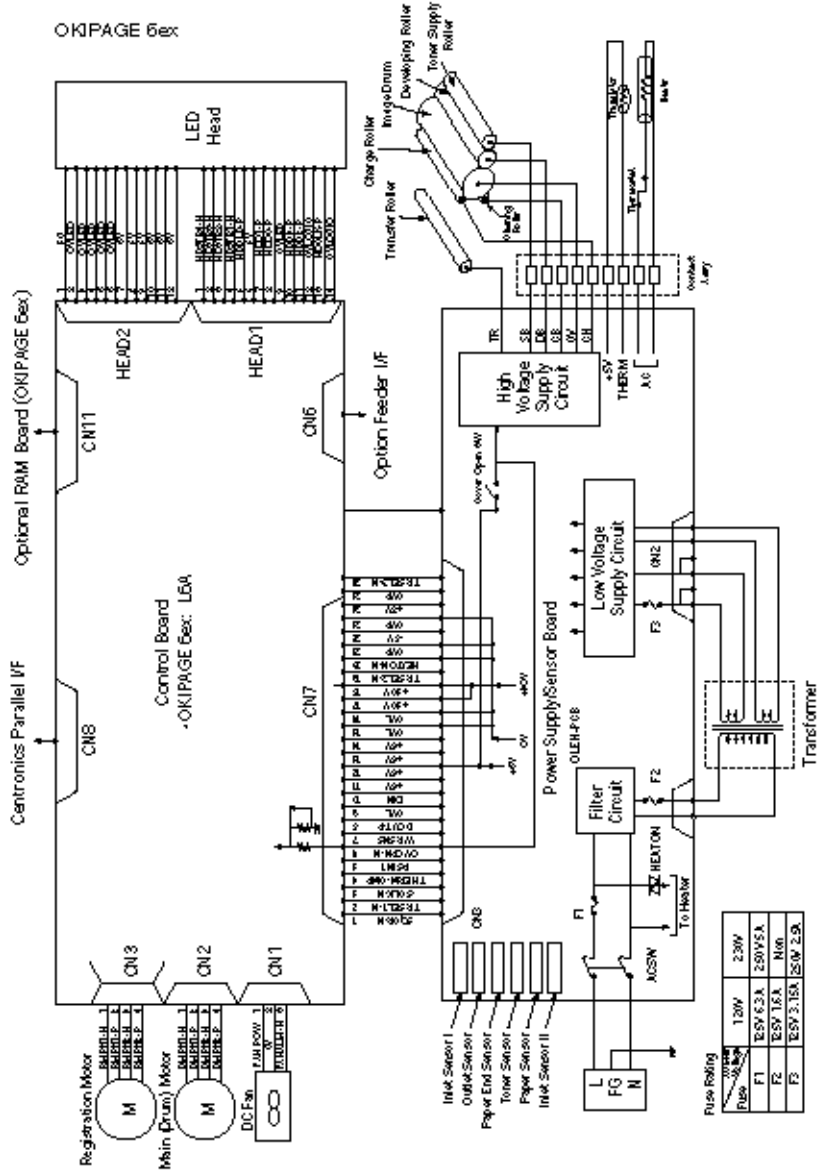


Service Guide OKIPAGE6e

Chapter 6 Troubleshooting Procedures







Copyright 1997, Okidata, Division of OKI America, Inc. All rights reserved. See the OKIDATA Business Partner Exchange (BPX) for any updates to this material. (<http://bpx.okidata.com>)

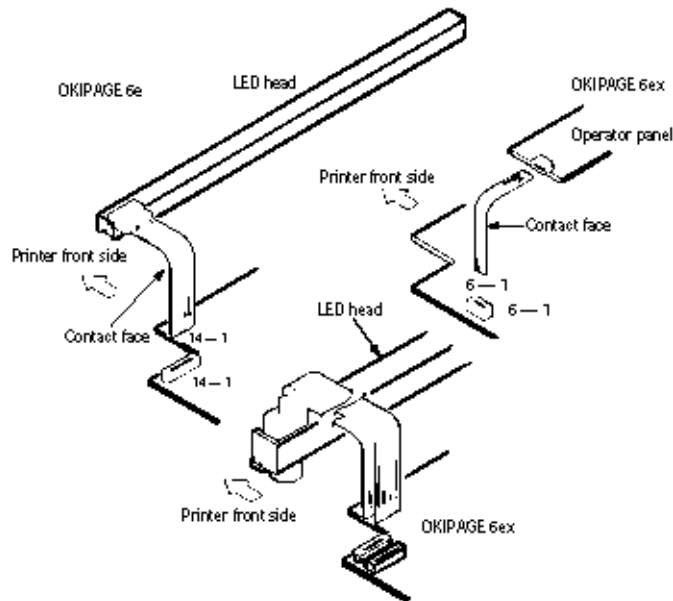
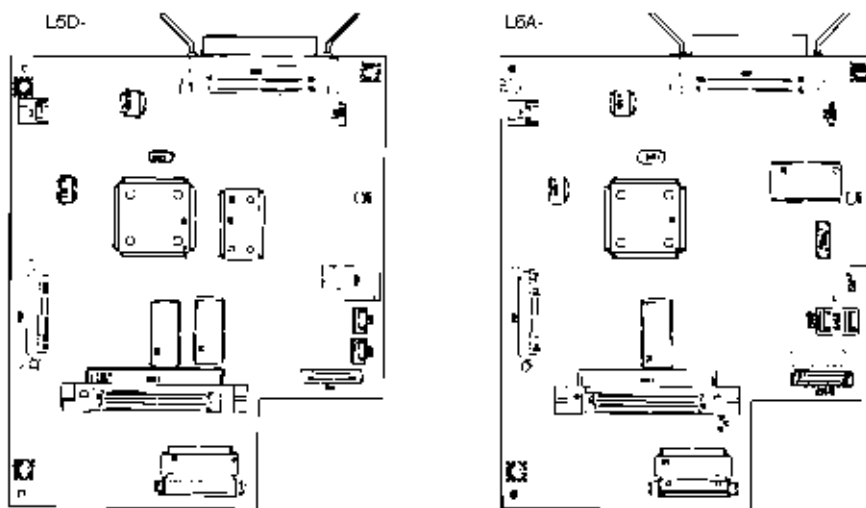


Service Guide OKIPAGE6e

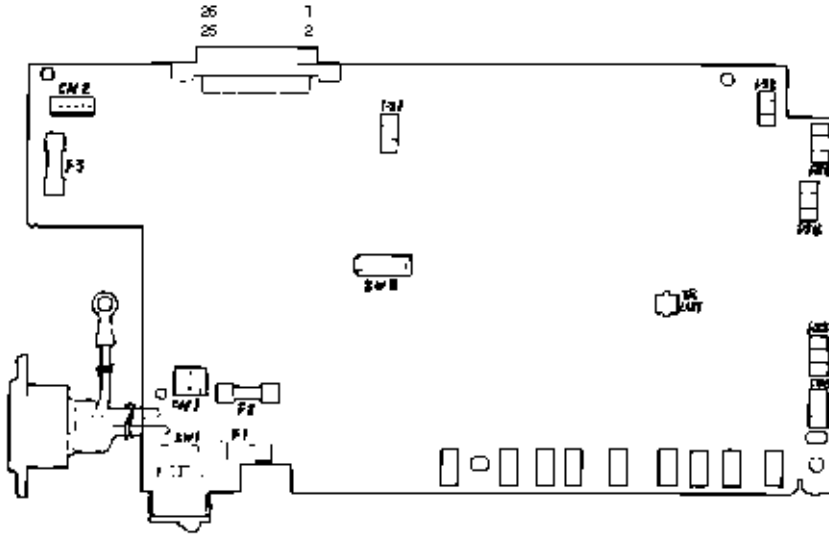
Chapter 7 Wiring Diagram

Control Board

- OKIPAGE 6e : L5D-PCB
- OKIPAGE 6ex : L6A-PCB



Power Supply Board



CN1 Pin Assignment (To Fan Motor)

Opening	PIN NO.	I/O	Signal	Description
1	1	O	FANPOW	Power supply for fan driving
2	2	C	OV	Ground
3	3	I	FANALM-N	Fan alarm

CN2 Pin Assignment (To Drum Motor)

Opening	PIN NO.	I/O	Signal	Description
1	1	O	DMPH1-N	Coil 1-N
2	2	O	DMPH1-P	Coil 1-P
3	3	O	DMPH2-N	Coil 2-N
4	4	O	DMPH2-P	Coil 2-P

Excitation sequence

PIN NO.	Line Color	Step No.			
		1	2	3	4
2	Yellow	+	-	-	+
4	Black	+	+	-	-
1	Orange	-	+	+	-
3	Brown	-	-	+	+

Turning direction Clockwise when viewed from the output axis.

CN3 Pin Assignment To Regist motor

Opening	PIN NO.	I/O	Signal	Description
1	1	O	RMPH1-N	Coil 1-N
2	2	O	RMPH1-P	Coil 1-P

3	3	O	RMPH2-N	Coil 2-N
4	4	O	RMPH2-P	Coil 2-P

Excitation sequence

PIN NO.	Line Color				Step No.
		1	2	3	4
2	Yellow	+	-	-	+
4	Black	+	+	-	-
1	Orange	-	+	+	-
3	Brown	-	-	+	+

Turning direction Clockwise as viewed from the output axis.

CN4 Pin Assignment

To LED Head (OKIPAGE 6e)

PIN NO.	I/O	Signal	Description
1	C	0V	Ground for LED
2	C	0V	Ground for LED
3	O	5V	+5V power supply for LED driving
4	O	5V	+5V power supply for LED driving
5	C	0V	Logic ground
6	O	HDDT0-P	Data
7	O	HDDT1-P	Data
8	O	HDCLK-P	Clock
9	C	HDLDP	Load
10	O	STB1-N	Strobe1
11	O	STB2-N	Strobe 2
12	O	STB3-N	Strobe 3
13	O	STB4-N	Strobe 4
14	C	FG	FG

HEAD1 & HEAD2 Pin Assignment

To LED Head (OKIPAGE 6ex)

HEAD1	PIN NO.	I/O	Signal	Description
1	1	O	HDSTB4-N	Strobe 4
	2	O	HDSTB3-N	Strobe 3
3	3	O	HDSTB2-N	Strobe 2
	4	O	HDSTB1-N	Strobe 1
5	5	C	HDDLDP	Load
	6	O	5V	+5V power supply for LED driving
7	7	O	HDD1-P	Data 1
	8	O	HDD0-P	Data 0
9	9	C	0VLED	Ground for LED
	10	O	HDD3-P	Data 3
11	11	O	HDD2-P	Data 2
	12	C	0VLOGIC	LOGIC ground
13	13	O	HDCLK-P	Clock
	14	C	0VLOGIC	LOGIC ground

HEAD2	PIN NO.	I/O	Signal	Description
-------	---------	-----	--------	-------------

1		1	C	FG	FG
	2	2	C	OVLED	Ground for LED
3		3	C	OVLED	Ground for LED
	4	4	C	OVLED	Ground for LED
5		5	C	OVLED	Ground for LED
	6	6	C	OVLED	Ground for LED
7		7	O	5V	+5V power supply for LED driving
	8	8	O	5V	+5V power supply for LED driving
9		9	O	5V	+5V power supply for LED driving
	10	10	O	5V	+5V power supply for LED driving
11		11	O	5V	+5V power supply for LED driving
	12	12	O	5V	+5V power supply for LED driving

**CN6 Pin Assignment
To Option feeder**

		PIN NO.	I/O	Signal	Description
5	8	1	O	OPTSIN-N	Paper sense 1
2	7	2	O	SPTSCLK-N	Clock
1	4	3	C	OPTSDR-N	Data
3	6	4	I	OPRSDR-N	OPT send data ready
		5	C	OVP	Analog ground
		6	O	30V	+30V power supply
		7	C	0V	Logic ground
		8	O	5V	+5V power supply

POWER Pin Assignment (To Power Supply/Sensor Board)

		Pin No.	Signal	I/O	Description	Pin No.	Signal	I/O*	Description
2	1	2	TRSEL1	O	TR control switch	1	SQCR-N	I	Sequence clear signal of serial I/F
4	3	4	THERM-CMP	I	Heater temperature	3	SCLK-N	I	Clock signal of serial I/F
6	5	6	CVOPN-N	I	Cover open (+30V)	5	PSIN1	I	Paper sense
8	7	8	DOUT-P	O	Serial data output	7	WRSNS	I	Reading of paper edge
10	9	10	DIN	I	Serial data input	9	OVL	C	Ground for logic
12	11	12	+5V	I	Logic circuit supply voltage	11	+5V	I	Logic circuit supply voltage
14	13	14	+5V	I	Logic circuit supply voltage	13	+5V	I	Logic circuit supply voltage
16	15	16	OVL	C	Logic ground	15	OVL	C	Logic ground
18	17	18	+30V	I	Motor and fan drive voltage and source voltage for high voltage supply	17	+30V	I	Motor and fan drive voltage and source voltage for high voltage supply
20	19	20	HEATON-N	O	Heater on	19	TRSEL2	O	TR control switch
22	21	22	-8V	I	RS232C line voltage	21	OVP	C	Power ground

24	23	24	+8V	I	RS232C line voltage	23	OVP	C	Power ground
26	25	26	TRSEL3	O	TR control switch	25	OVP	C	Power ground

*

O: Out

I: In

C: Common

CN8 Pin Assignment (Centronics Parallel)

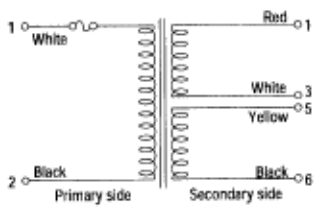
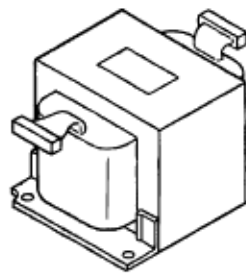
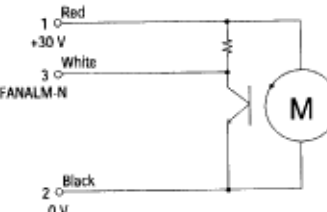
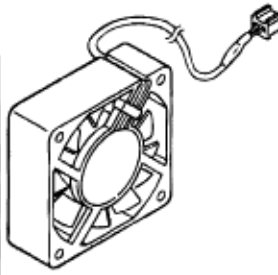
		Pin No.	I/O*	Signal	Description	Pin No.	I/O	Signal	Description
1	19	1	I	STROBE-N	Strobe	19	C	SG	Ground
2	20	2	C	DATA1-P	Data bit 0	20	C	SG	Ground
3	21	3	C	DATA2-P	Data bit 1	21	C	SG	Ground
4	22	4	C	DATA3-P	Data bit 2	22	C	SG	Ground
5	23	5	C	DATA4-P	Data bit 3	23	C	SG	Ground
6	24	6	C	DATA5-P	Data bit 4	24	C	SG	Ground
7	25	7	C	DATA6-P	Data bit 5	25	C	SG	Ground
8	26	8	C	DATA7-P	Data bit 6	26	C	SG	Ground
9	27	9	C	DATA8-P	Data bit 7	27	C	SG	Ground
10	28	10	O	ACK-N	Acknowledge	28	C	SG	Ground
11	29	11	O	BUSY-P	Busy	29	C	SG	Ground
12	30	12	O	PE-P	paper end	30	C	SG	Ground
13	31	13	O	SEL-P	Select	31	I	IPRIME-N	Input prime
14	32	14	I	AUTOFEED-N	Auto feed	32	O	FAULT-N	Fault
15	33	15		NC		33	C	SG	Ground
16	34	16	C	SG	Ground	34		NC	
17	35	17	C	FG		35	O	HILEVEL	Always kept high
18	36	18	O	P-LOGIC-H	+5V power supply	36	I	SELIN-N	Select in

CN11 Pin Assignment (To Option Board)

			Pin No.	I/O	Signal	Description	Pin No.	I/O	Signal	Description	
01		41	01	O	-8V	-8V power supply	41	C	0V	Logic ground	
	02		42	02	C	0V	Logic ground	42	C	0V	Logic ground
03		43	03	C	0V	Logic ground	43	C	SSTXD-P	EEPROM data	
	04		44	04		NC		44	O	EEPRMCLK-P	EEPROM clock
05		45	05			NC		45	O	EEPRMCS1-P	EEPROM select
	06		46	06	C	0V	Logic ground	46	O	+5V	+5V power supply
07		47	07	C	0V	Logic ground	47	I	INT2-N	Interrupt request 2	
	08		48	08	I	INT1-N	Interrupt request 1	48	O	IOS1-N	I/O select 1
09		49	09	O	IOS0-N	I/O select 0	49	O	CS3-N	ROM select 3	
	10		50	10	O	CS2-N	ROM select 2	50		NC	

11		51		11	O	CS4-N	ROM select 4	51	O	DDRAS1-N	OKIPAGE6ex only, OKIPAGE6e: NC
	12		52	12		NC		52	O	RESET-N	Reset signal
13		53		13	I	SCSRE O-P	SCC receive request	53		NC	
	14		54	14	I	SCRRE O-P	SCC send request	54	O	A22-P	Address bit 22
15		55		15	O	A08-P	Address bit 8	55	O	A07-P	Address bit 7
	16		56	16	O	A06-P	Address bit 6	56	O	A01-P	Address bit 5
17		57		17	O	A04-P	Address bit 4	57	O	A03-P	Address bit 3
	18		58	18	O	A02-P	Address bit 2	58	O	A05-P	Address bit 1
19		59		19	O	A00-P/O RE-N	OR write enable	59	O	A21-P	Address bit 21
	20		60	20	O	A20-P	Address bit 20	60	O	A19-P	Address bit 19
21		61		21	O	A17-P	Address bit 17	61	O	DCAS0-N	DCAS0
	22		62	22	O	DCAS1-N	DCAS1	62	O	RD-N	RD-N
23		63		23	O	A18-P	Address bit 18	63	O	A16-P	Address bit 16
	24		64	24	O	A15-P	Address bit 15	64	O	A14-P	Address bit 14
25		65		25	O	A13-P	Address bit 13	65	C	0V	Logic ground
	26		66	26	O	+5V	+5V power supply	66	O	A12-P	Address bit 12
27		67		27	O	A11-P	Address bit 11	67	O	A10-P	Address bit 10
	28		68	28	O	A09-P	Address bit 9	68	O	WR-N	WR-N
29		69		29	O	DRAS2-N	DRAM select 2	69	O	DRAS3-N	DRAM select 3
	30		70	30	C	DRAN4-N	DRAM select 4	70	O	DRAS5-N	DRAM select 5
31		71		31	C	D07-P	Data bit 7	71	C	D06-P	Data bit 6
	32		72	32	C	D05-P	D05-P Data bit 5	72	C	D04-P	Data bit 4
33		73		33	C	D02-P	D02-P Data bit 2	73	C	D03-P	Data bit 3
	34		74	34	C	D00-P	D00-P Data bit 0	74	C	D01-P	Data bit 1
35		75		35	C	0V	Logic ground	75	O	+5V	+5V power supply
	36		76	36	C	D14-P	D14-P	76	C	D15-P	Data bit 15
37		77		37	C	D12-P	Data bit 12	77	C	D13-P	Data bit 13
	38		78	38	C	D11-P	Data bit 11	78	C	D10-P	Data bit 10
39		79		39	C	D09-P	Data bit 9	79	C	D08-P	Data bit 8
	40		80	40		NC		80	C	0V	Logic ground

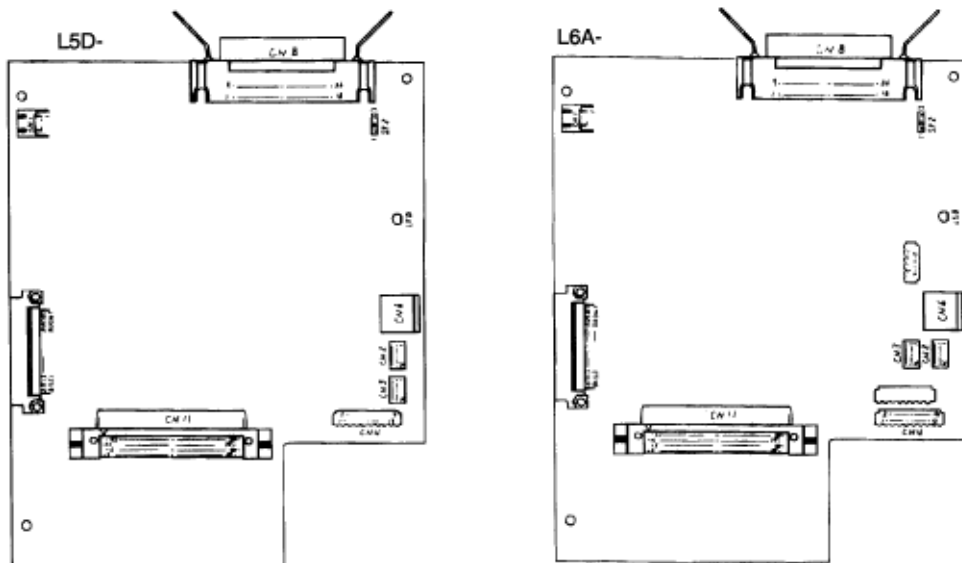
Unit	Circuit Diagram	Illustration	Resistance
Registration motor			Between pins 1 and 2: 18.6Ω Between pins 3 and 4: 18.6Ω
Main (drum) motor			Between pins 1 and 2: 12.6Ω Between pins 3 and 4: 12.6Ω
Fusing Unit			Between pins 1 and 2: 120V 3Ω 240V 10Ω Between pins 3 and 4: 220KΩ (at room temperature)

Unit	Circuit Diagram	Illustration	Resistance
Transformer	 <p>1 White Primary side</p> <p>2 Black Primary side</p> <p>Red 1 Secondary side</p> <p>White 3 Secondary side</p> <p>Yellow 5 Secondary side</p> <p>Black 6 Secondary side</p>		<p>Primary side</p> <p>Between pins 1 and 2: 14.8Ω (ODA)</p> <p>Secondary side</p> <p>Between pins 1 and 3: 1.3Ω</p> <p>Between pins 5 and 6: 1.2Ω</p>
Fan	 <p>1 Red +30 V</p> <p>3 White FANALM-N</p> <p>2 Black 0 V</p> <p>M</p>		

Copyright 1997, Okidata, Division of OKI America, Inc. All rights reserved. See the OKIDATA Business Partner Exchange (BPX) for any updates to this material. (<http://bpx.okidata.com>)

Main Control Board

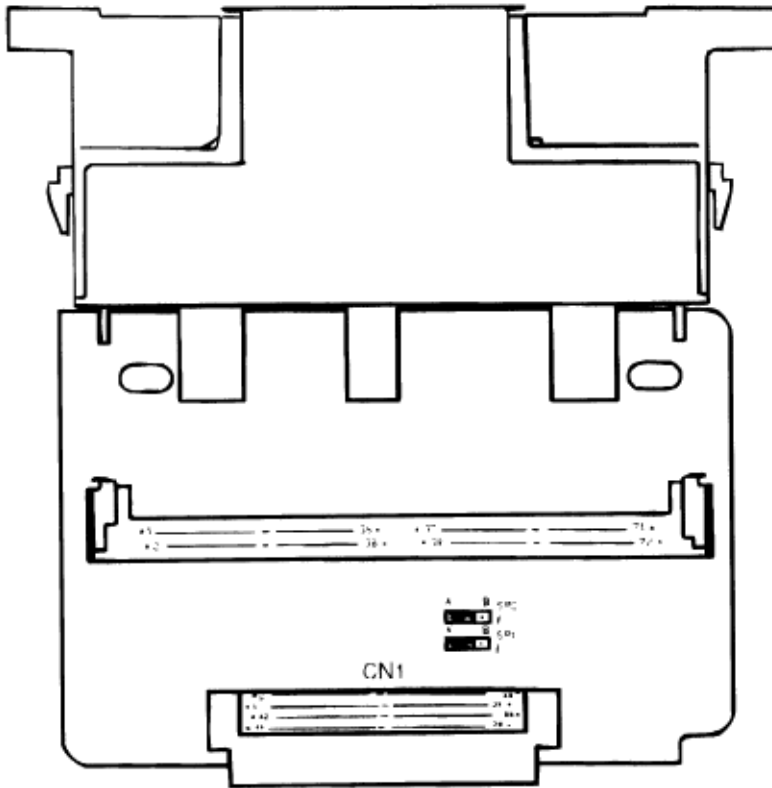
- OKIPAGE 6e : L5D-PCB
- OKIPAGE 6ex : L6A-PCB



Short Plug Settings

Short plug	Plug setting	Description	Factory setting
SP2	3	+5 V is supplied to pin 18 of Centronics parallel I/F connector.	A-side
	1	High level is supplied to pin 18 Centronics parallel I/F connector.	

Option RAM Board (LQME-PCB)



SIMM Specification

Usable RAM capacity: 1/2/4/8/16/32 Mbytes (Access time 60 ~ 100 ns)

Short Plug Setting

Printer	SP1	SP2	Remarks
OKIPAGE 6e	Side B	Side B	See remark for SIMM capacity limitation.
OKIPAGE 6ex	Side A	Side A	

Added SIMM / Total Effective RAM Table

OKIPAGE 6e

SIMM Capacity	Total Capacity
Nil.	2 Mbytes
1 Mbyte	3 Mbytes
2 Mbytes	3.5 Mbytes
4 Mbytes	6 Mbytes
8 Mbytes	8 Mbytes
16 Mbytes	18 Mbytes

OKIPAGE 6ex

OKIPAGE 6ex	Total Capacity
Nil.	3 Mbytes

1 Mbyte	4 2 Mbytes
5 Mbytes	4 Mbytes
7 Mbytes	8 Mbytes
16 Mbytes	19 Mbytes
32 Mbytes	35 Mbytes

Remark: With OKIPAGE 6e, only 3/4 of 2 Mbytes or 8 Mbytes SIMM capacity is actually effective: 1.5 Mbytes and 6 Mbytes respectively.

Copyright 1997, Okidata, Division of OKI America, Inc. All rights reserved. See the OKIDATA Business Partner Exchange (BPX) for any updates to this material. (<http://bpx.okidata.com>)



Service Guide OKIPAGE6e

Chapter 8 Parts List

This section will assist you in identifying the assemblies and parts of the product.

Use Section 6 (Troubleshooting) to determine the defective part(s).

Locate the part and its part number in this section.

#

Figure 8-1 Lower Base Unit

Lower Base Unit (Table 8-1) 1 of 2

No.	Name/Rating	Part No.	USE		Remarks
			OP6e	OP6ex	
1	Shaft: Hopping Roller Assy	3PA4083-60196	1	1	51112601 RSPL
1-1	Shaft: Hopping Roller Shaft	3PP4083-6020P1	1	1	50219601 RSPL
1-2	Rubber: Hopping roller F	4PB4122-1280P1	1	1	51711401 RSPL
2	Bearing	4PP4083-6022P2	4	4	51607402 RSPL
3	Gear: One Way Clutch	4PB4083-6024P1	2	2	51228901 RSPL
4	Roller: Registration	3PB4083-6030P1	1	1	53342501 RSPL
5	Bearing Registration Roller	4PP4083-6031P1	1	1	51607501 RSPL
6-1	Roller: Transfer A	3YB4083-7640P004	1	1	50409304 RSPL
6-2	Bearing: TR C	3PP4083-6289P1	1	1	51609001 RSPL
6-3	Gear: TR A	3PP4083-6290P1	1	1	51236601 RSPL
8	Roller: Back-up	3PB4083-6064P2	1	1	53343701 RSPL
9	Spring: Bias B	4PP4083-7620P1	2	2	50929301 RSPL
10	Bushing: Pressure Roller	4PP4083-6052P1	2	2	51607601 RSPL
11	Lever: Reset L	3PP4083-6053P1	1	1	50805801 RSPL
12	Lever: Reset R	3PP4083-6054P1	1	1	50805901 RSPL
13	Arm: Cover Open	4PP4083-6057P1	1	1	53068901 RSPL
14	Spring: Stacker Cover Reset	4PP4083-6057P1	1	1	50924201 RSPL
15	Gear: Fuser Roller Idle	4PP4083-6080P1	1	1	51229101 RSPL
16	Gear: Eject Roller Idle	4PP4083-6081P1	1	1	51229201 RSPL
17	Plate: Sensor (Inlet, Paper)	4PP4083-6083P1	3	3	51010701 RSPL
18	Plate: Sensor (Outlet)	4PA4083-6025G1	1	1	51010802 RSPL
19	Sensor: Toner (Adhesion)	4PP4083-6086G1	1	1	50405501 RSPL

#

Lower Base Unit (Table 8-1) 2 of 2

No.	Name/Rating	Part No.	USE		Remarks
			OP6e	OP6ex	
20-1	Strip: Anti-Static	4PB4083-6979P1	1	1	51010903 RSPL
20-2	Film: Anti Static	3PB4083-6089P1	1	1	52203801 RSPL
21-1	Motor: Pulse A (Main/Drum)	4PB4076-6150P1	1	1	56513201 RSPL
21-2	Motor: Pulse B Registration 6e	4PB4076-6151P1	1	-	56513301 RSPL
	Motor: Pulse B Registration 6ex	40215301	-	1	40215301 RSPL
22-1	Gear: Idle D (Main Idle Gear)	3PP4076-6145P1	1	1	51236701 RSPL
22-2	Gear: Idle E (Registration Gear)	3PP4076-6146P1	1	1	51236801 RSPL
23	Gear: Reduction C	3PP4076-6147P1	1	1	51236901 RSPL
24	Unit: Fusing (120 V)	2YX4083-6100G5	1	1	50217505 RSPL
	Unit: Fusing (230 V)	2YX4083-6100G6	1	1	50217506 Option
25	Eject Roller Assy	2PA4083-6120G2	1	1	53342802 RSPL
26	Guide: Manual Feed Assy	2PA4083-6130G1	1	1	51011001 RSPL
27	Cover: Stacker (Assy) 6ex	40111303	-	1	40111303 RSPL
	Cover: Stacker (Assy) 6e	40111302	1	-	40111302 RSPL
27-1	Cover: Stacker (Sub-Assy) 6ex	40244101	1	1	40244101 RSPL
27-2	Spring: Head	4PP4128-1164P0 01	2	2	50932001 RSPL
27-3	Film: FG (OP6e)	40104201	1	1	40104201 RSPL
	Film: FG (OP6ex)	4PB4083-6169P1		1	52204001 RSPL
28	Image Drum Kit	4YA4083-7300G7	1	1	56116801 Consumable
29	Toner Cartridge Kit	4YA4083-6400G3	1	1	52107201 Consumable
30	LED Head (1228G1) OP6e	4YA4116-1228G1	-	1	56112101 RSPL
	LED Head (1224G2) OP6ex	4YA4116-1224G0 02	1	-	56111902 RSPL
31	Base: Lower	2PP4083-6801G2	1	1	50217602 RSPL
32	Arm: Stacker Cover Damper	4PP4083-6191G1	1	1	53069101 RSPL
33	Gear: Stacker Cover Damper	4PB4083-6197P1	1	1	51229401 RSPL
34	Cable: Flexible (LED Head) 6e	4YX4121-1025G2	1	-	56629001 RSPL
	Cord: LED Head Assy 6ex	40241702	-	1	40241702 RSPL
35	Washer: B	4PP4120-1209P1	1	1	50517001 RSPL
36	Washer C	4PP4120-1210P1	1	1	50517201 RSPL
37	Contact: Grnd Clip LED Hd 6e	4PP4083-6173P1	1	-	51014601 RSPL
	Contact: Grnd Clip LED Hd 6ex	4PP4083-7664P1	-	1	51024601 RSPL
38	Connector: LED Cable OP6e	224A1286P0140	1	-	56730201 RSPL
	Conn: PC (PXW26-1250B) 6ex	224A1287P0260	-	1	56730960 RSPL

No.	Name/Rating	Part No.	USE		Remarks
			OP6e	OP6ex	
1-1	Cover: Upper 6e	2PP4128-1170G1	1	-	53070311 RSPL
1-2	Cover: Upper 6ex	2PA4094-7812G004	-	1	53070304 RSPL
2	Stacker	1PP4094-7814P1	1	1	50101301
3	Stacker clamp	3PP4094-7816P1	2	2	50708001
4	Guide wire	4PB3517-1567P1	1	1	51013801
5	Leaf spring	3PP3517-1601P1	1	1	50931901
6	Lens cover	2PP4128-1171P1	1	-	
7	Lens frame	3PP4128-1172P1	1	-	
8-1	Frame: Logo 6e	40227401	1	-	40227401 RSPL
8-2	Cover Panel	40227402	1	-	
8-3	Operator Panel Assy 6ex	40111701	-	1	40111701 RSPL
8-4	Operator Panel Assy	40111702	-	1	
19	Operator Panel OP6ex	40111035G2	-	USE	Remarks
			OP6e	OP6ex	
20	OP. Panel Cable Assembly	4YX4121-1035G2			156635502 RSPL
21	LQ8A-2-PCB	4YA4046-1672G12			
23	Guide: Cable	4PP4083-6138P1			51014001 RSPL
24	Plate: FG (Op)	4PP4083-6029P1			

#

Figure 8-3 Base unit

No.	Name/Rating	Part No.	USE		Remarks
			OP6e	OP6ex	
1	Base plate	2PP4083-6809G1	1	1	50217602
2	Guide: Cassette L	3PP4083-6802G1	1	1	51011201 RSPL
3	Guide: Cassette R	3PP4083-6803G1	1	1	51011301 RSPL
4	Spring: Cassette Eject	4PP4083-6152P1	2	2	50924401 RSPL
5	Sensor Plate (Paper End)	4PP4083-6082P1	1	1	51011401 RSPL
6	Insulator	3PB4083-6144P1	1	1	51709401 RSPL
7	Control Board L5D 6e	40227002	1	-	40227002 RSPL

User's Guide OKIPAGE 6ex Multilingual	59277501	Documentation
Software License Agreement	58327201	Documentation
Technical/Service Materials		
Kit: OKIPAGE 6e/6ex Service Training Includes the following items:	58220201	Documentation
Sheet: ID OKIPAGE 6e/6ex	58323601	Documentation
Sheet: Read Me First 6e/6ex	58323701	Documentation
Manual: Certification	59276301	Documentation
Manual: Service	59276401	Documentation
Operator Panel and Menu Reference Guide 6ex	59278901	Documentation
Easy Set Up Guide 6e	59278701	Documentation
Easy Set Up Guide 6ex	59278801	Documentation
User's Guide OKIPAGE 6e Multilingual	59277401	Documentation
User's Guide OKIPAGE 6ex Multilingual	59277501	Documentation

Copyright 1997, Okidata, Division of OKI America, Inc. All rights reserved. See the OKIDATA Business Partner Exchange (BPX) for any updates to this material. (<http://bpx.okidata.com>)



Service Guide OKIPAGE6e

Chapter A Centronics Parallel Interface

Connector

• Printer side	36-pin receptacle (single port) Type 57-40360-12-D56 (made by Daiichi Denshi) or equivalent
• Cable side	36-pin plug Type 57-30360 (made by Daiichi Denshi) or equivalent Plug-552274-1 (AMP), 552073-1 (AMP) or equivalent

Cable

• IEEE std	1284-1994 compliant cable is recommended for noise prevention.
• Cable length	6 ft (1.8 m) max.

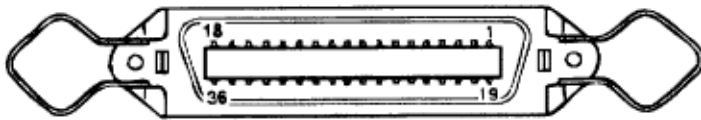
Note: Cable is not supplied.

Table of Parallel Interface Signals

Pin No.	Signal Name	Signal Direction	Logic	Compatible	Nibble	ECP	Functions
1	Data Strobe	® Printer	Negative	nStrobe	Host Clk	HostClk	Data strobe
2-9	Data Bit n	« Printer	Positive	Data 1(LSB) ~ 8(MSB)			Data line from/to host
10	Acknowledge	Printer ®	Negative	nAck	PtrClk	PeriphClk	Completion of reception or function
11	Busy	Printer ®	Positive	Busy	PtrBusy	PeriphAck	Data reception not possible
12	Paper End	Paper End	Positive	PError	AckDataReq	nAckReverse	No paper
13	Select	Printer ®	Positive	Select	Xllag	Xflag	On-line
14	Auto Feed	® Printer	Negative	nAutoFd	HostBusy	HostAck	Mode switch request
15	-	-	-		Not defined		Not used
16	0V	-	-		Logic Gnd		Signal ground
17	Chassis Ground	-	-		Chassis Gnd		Frame ground
18	5V	Printer ®	-		Peripheral Logic High		Power supply (max. 50mA)
19	0V	-	-		Signal Ground (nStrobe)		Signal ground
20-27	0V	-	-		Signal Ground (Data 1~8)		Signal ground
28	0V	-	-		Signal Ground (PError, Select, nAck)		Signal Ground
29	0V	-	-		Signal Ground (Busy, nFault)		Signal ground
30	0V	-	-		Signal Ground (nAutoFd, nSelectIn, nInit)		Signal ground

31	Input Prime	® Printer	Negative	nInit	nInit	nReverseRequest	Initialize
32	Fault	Printer ®	Negative	nFault	nDataAvail	nPeriphRequest	Error occurrence, On-line
33	0V	-	-		Not Defined		Signal ground
34					Not Defined		Not used
35		Printer ®			Not Defined		Fixed to logic "1"
36	Select In	® Printer	Negative	nSelectIn	1284 Active	1284 Active	Mode switch request

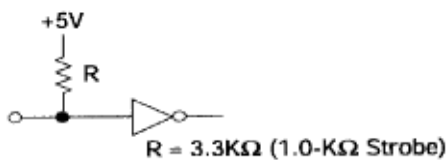
- Connector pin arrangement



Signal Level	<ul style="list-style-type: none"> • Low : 0 V to +0.8 V • High : +2.4 V to 5.0 V
Modes	IEEE 1284 <ul style="list-style-type: none"> • Compatible mode • Nibble mode • ECP mode
Data bit length	8 bits
Receiving Buffer	Varies depending on option RAM size.
Control	Data is received from the host, and stored in the reception buffer. Block busy control is carried out. Signal line is also carried out.

Interface Circuit

a) Receiving circuit



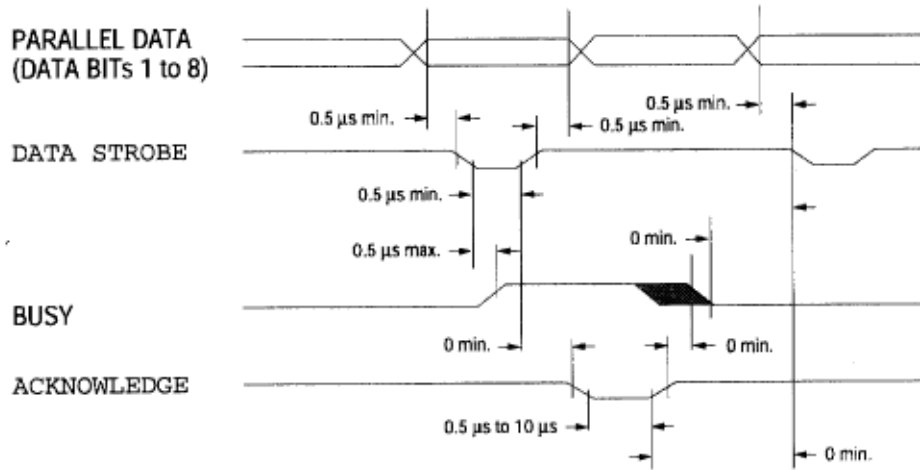
#b) Sending circuit



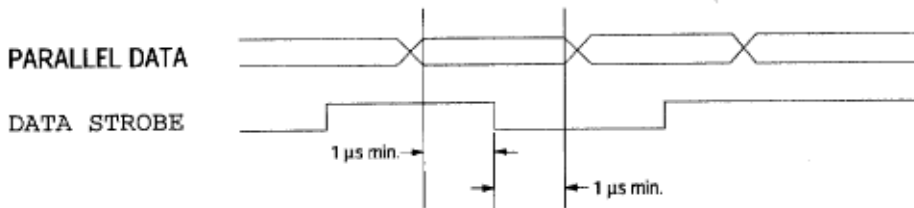
Timing Charts

a) Data receiving timing

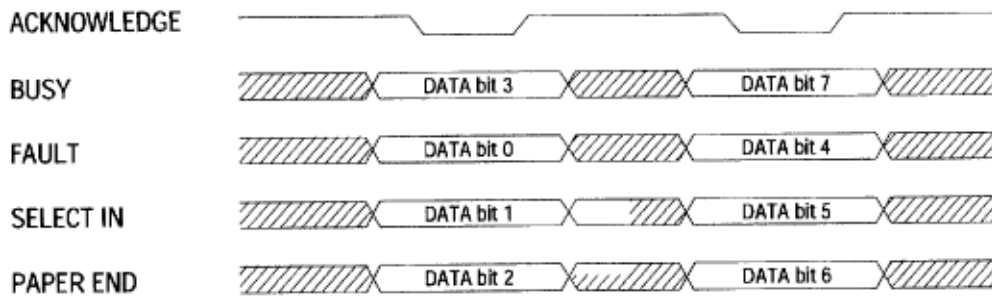
- Compatible mode



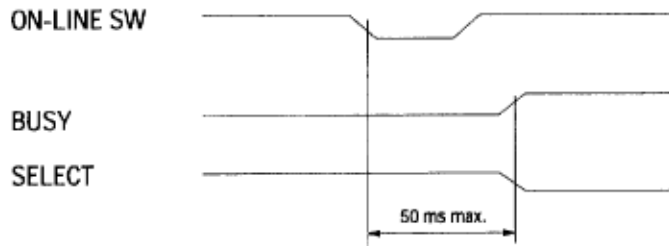
b) Data Receiving Timing (Burst Mode)



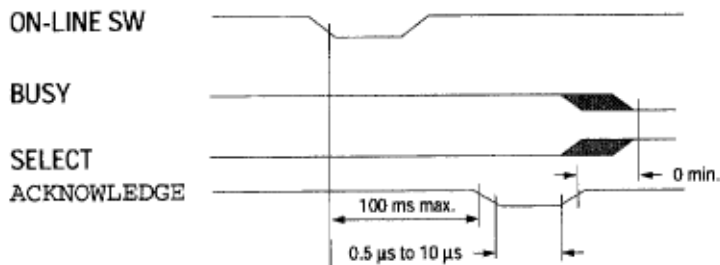
c) Data Sending Timing (Nibble Mode)



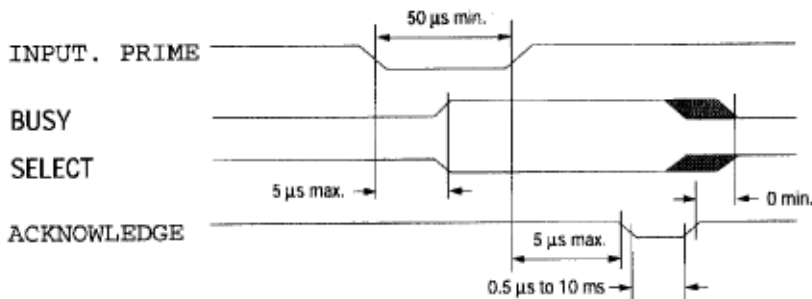
d) On-line -> off-line switching timing by ON-LINE SW (HP4 emulation)



e) Off-line -> on-line switching timing by ON-LINE SW (HP4 emulation)



f) INPUT PRIME timing (when set to the effective INPUT PRIME signal.)

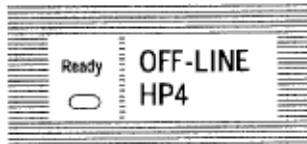


Interface Parameter Setting (OKIPAGE 6ex)

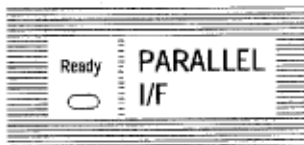
The following settings are possible by pressing **ENTER** *Copies* key, after selecting the display contents of the LCD of the operator panel by using **NEXT** *Demo* + and **LAST** *Paper Size* keys.

Settings are retained even when the printer power is turned off.

By pressing **ON LINE** key, menu setting mode is completed and the printer returns to ON-LINE state.



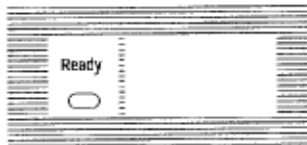
Keep **MENU 1** key down for more than 2 seconds and bring the printer into menu setting mode (level 2). Next, press **MENU 1** key 4 times.



"PARALLEL I/F" is displayed on the LCD.



Press **ENTER** Key.

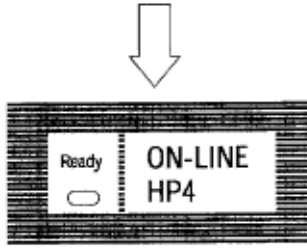


Item	I-PRIME
Contents of Display	Function
OFF	I-PRIME signal ignored
ON	I-PRIME signal effective

Factory Setting: OFF



Press **ON-LINE** key.



Setting completed.

Copyright 1997, Okidata, Division of OKI America, Inc. All rights reserved. See the OKIDATA Business Partner Exchange (BPX) for any updates to this material. (<http://bpx.okidata.com>)



Service Guide OKIPAGE6e
Chapter B Localtalk (RS-422) Serial Interface

This feature is not available with the current configuration of the product.

Copyright 1997, Okidata, Division of OKI America, Inc. All rights reserved. See the OKIDATA Business Partner Exchange (BPX) for any updates to this material. (<http://bpx.okidata.com>)



Service Guide OKIPAGE6e

Chapter C Diagnostics Test

1. Maintenance Modes

The menus are available on the OKIPAGE 6ex ONLY. Refer to Appendix D for OKIPAGE 6e information.

- The maintenance modes consist of the user maintenance mode opened to the user, and the system and engine maintenance modes for service personnel level.
 - Press the Menu key to update each category. The operation returns to the first category after updating the last category.
 - Press the Enter key to select and/or execute the function being displayed.
 - To exit from any of these modes during category display, press the RECOVER or ON-LINE key and the operation mode will start.
-

Copyright 1997, Okidata, Division of OKI America, Inc. All rights reserved. See the OKIDATA Business Partner Exchange (BPX) for any updates to this material. (<http://bpx.okidata.com>)



Service Guide OKIPAGE6e

Chapter C Diagnostics Test

- To enter the user maintenance mode, turn the power ON while keeping the Menu key pressed down.
- This mode uses the menu for function selection.
- The user maintenance mode provides the following functions:

Hex Dump

- The data received from the host is dumped in hexadecimal notation to the printer.
- Printing is activated automatically when the received data exceeds one page. If the received data is less than one page, printing can be activated manually by pressing the Form Feed key after changing to the OFF LINE mode. Automatic activation of printing even when the received data is less than one page by selecting the Auto Eject function on the menu.
- To exit from this mode turn the power OFF.

Menu Reset

- All settings for Menu level-1 are reset to the factory default values.

The menus for all available emulations, including options, are reset to the factory default values.

- The operation mode starts automatically upon completion of resetting.

Drum Counter Reset

- This function resets the drum life data when the user replaces the image drum unit.
- The operation mode starts automatically upon completion of resetting.

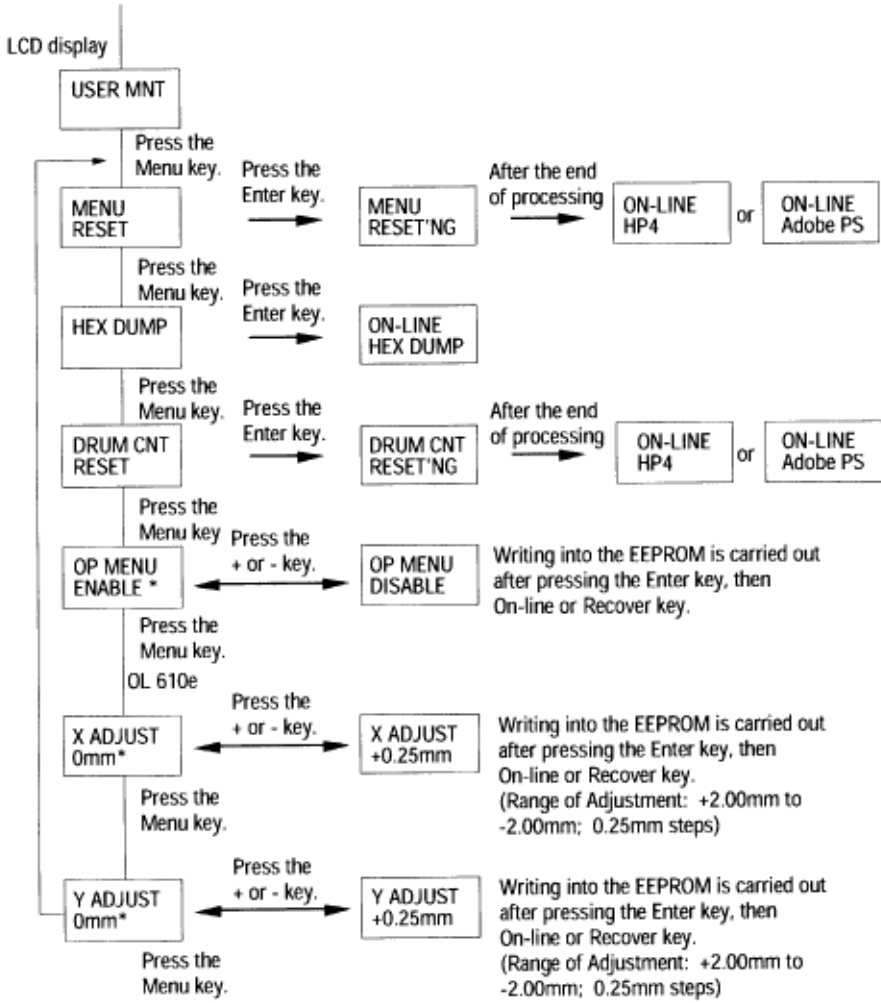
X-Adjust / Y-Adjust

- This function sets the first character printing position on the first line.
- The operation mode starts automatically upon completion of resetting.

Operator Panel Menu Disable

- This function is for enabling and disabling of the operation panel menu functions (Menu 1, Menu 2, Tray Select, Copies and Paper Size).

User Maintenance Mode Menu System Flowchart



Copyright 1997, Okidata, Division of OKI America, Inc. All rights reserved. See the OKIDATA Business Partner Exchange (BPX) for any updates to this material. (<http://bpx.okidata.com>)



Service Guide OKIPAGE6e

Chapter C Diagnostics Test

The system maintenance mode is set when the power is turned ON while keeping the Recover key pressed down.

This mode adopts the menu for function selection.

The method for exit from this mode depends on the setting.

The system maintenance mode provides the following functions:

Page Count Display

- The total number of pages counted at the engine block is displayed on the LCD.

Page Count Printing Enable/Disable

- This function allows the selection to include (enable) or exclude (disable) the total number of printed pages counted at the engine block at the time of menu printing.

Rolling ASCII Continuous Printing

- The rolling ASCII pattern is printed continuously for various engine tests.
- Press the ON-LINE key to cancel this mode.
- After the operation, the power is turned off. It will not go to operation mode or any maintenance mode automatically.

EEPROM Reset

- All EEPROM areas including Menu level-2 are reset to the factory default values.
- The following items are excluded.

Engine maintenance items

REVISIONS (as well as factory user setting)

- Transition to the operation mode occurs completion of resetting.

Switching of Valid or invalid HIPER-W Emulation

Switching of Valid or Invalid SIDM Emulation

- The following items are excluded:

Head drive time setting

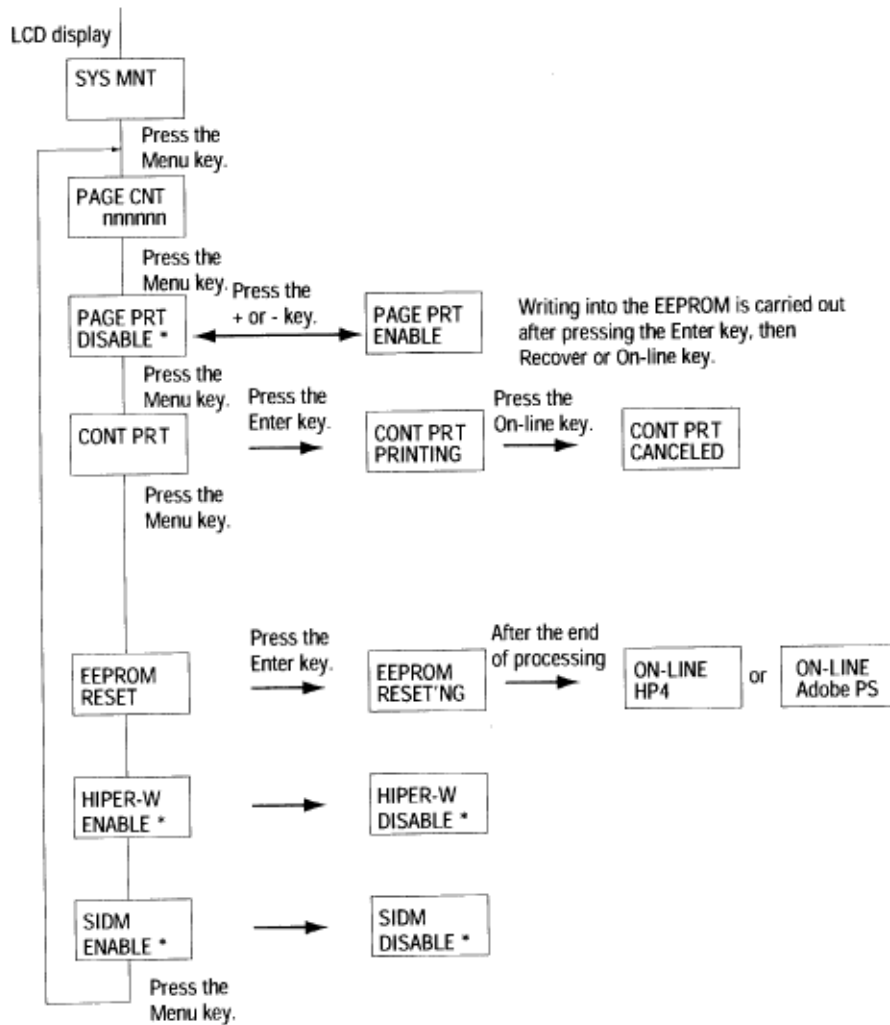
Fine adjustment of printing start position

Standard tray paper feed amount setting

- Transition to the operation mode occurs upon completion of resetting.
- Press the Menu key to update each category.

The operation returns to the first category after updating the last category.

System Maintenance Mode Menu System Flowchart



The engine maintenance mode is activated when the power is turned ON while keeping the Form Feed key and Enter key p

This mode adopts the menu for function selection.

The method for exit from this mode depends on the setting.

The engine maintenance mode provides the following functions:

Head Type Setting

- Set the type of the LED head. (300-1W or 300-2W or 600-4W)

Head Drive Time Setting

- Sets the drive time of the LED head.

Head Width Setting

- Sets the width of the LED head. (39 chips or 40 chips)

Head Type

- Only for the 600dpi head, the adjustment method for the adjustment head is set.

Strobe Time

- Only for the OKIPAGE 6ex, 600dpi head, the percentage of the strobe time for 600*1200dpi to the strobe time of 600*600dpi is set.

Transfer Current Setting

- Set transfer current value according to humidity and medium status for optimum printing result.

Printing Start Position Setting

- Sets the printing start position. Do not change the default setting.

Drum Count Total Display

- Displays on the LCD the total number of drum revolution of the unit, counted at the engine block.

Drum Count Display

- Displays on the LCD the total number of EP drum revolutions counted at the engine block.

Standard tray paper feed setting

- Do not change its default setting since this is a factory setting and were set at the factory.

Second tray paper feed setting

- Do not change its default setting since this is a factory setting and were set at the factory.

Second tray download table selection

- Do not change its default setting since this is a factory setting and were set at the factory.

Multi-purpose feeder setting

- Do not change its default setting since this is a factory setting and were set at the factory.

Multi-purpose feeder download table selection

- Do not change its default setting since this is a factory setting and were set at the factory.

Setting of standby temperature

Engine test selection

- Do not change its default setting since this is a factory setting and were set at the factory.

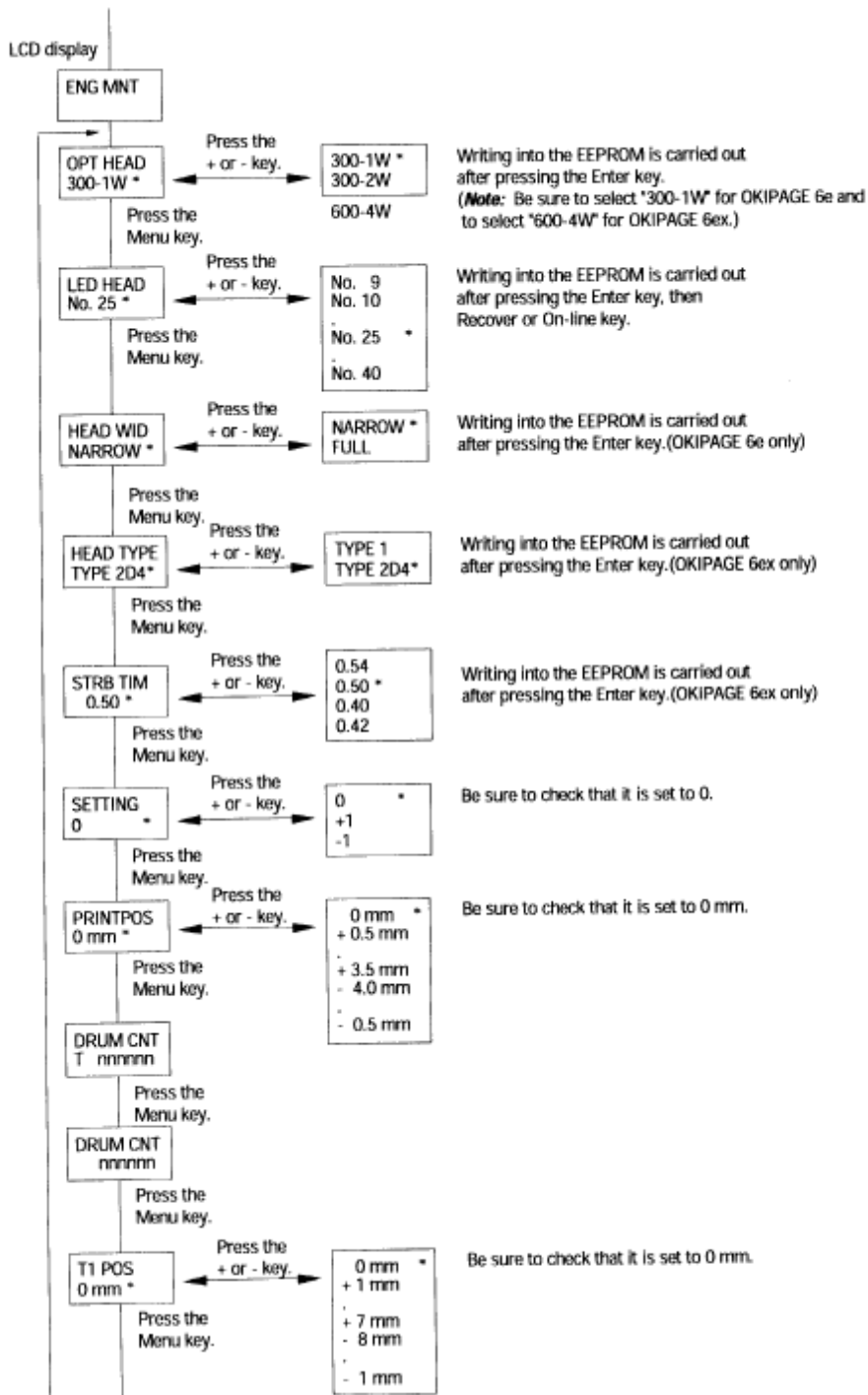
Engine reset

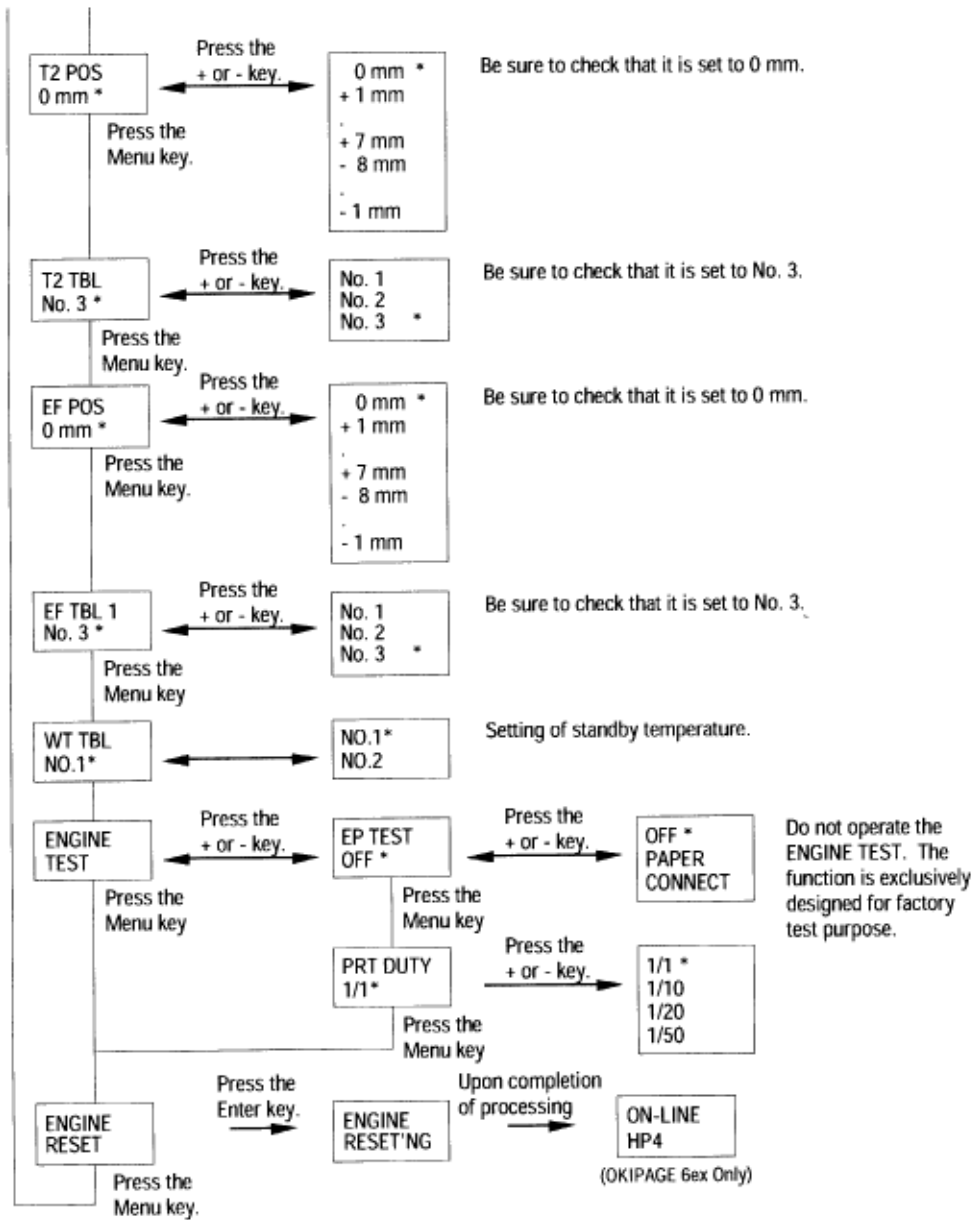
- All EEPROM areas used by the engine block are reset to the factory default values.

The following items are excluded.

- Menu level-1
- Menu level-2
- Operator panel menu disable/enable
- Head drive time setting
- Head width setting
- Head type setting
- Transfer current setting
- Page print disable/enable
- Transition to the operation mode occurs completion of resetting.

Engine Maintenance Mode Menu System





Copyright 1997, Okidata, Division of OKI America, Inc. All rights reserved. See the OKIDATA Business Partner Exchange (BPX) for any updates to this material. (<http://bpx.okidata.com>)



Service Guide OKIPAGE6e

Chapter C Diagnostics Test

- Switching of ODA, OEL, and OKI-INT users settings is possible with the factory user setting operation.

Factory Default Settings

The user factory user setting operation is carried out by turning the power ON while keeping both the Menu key and the NEXT+ or LAST- key pressed down.

Factory ODA Setting Operation

Turn the power ON while keeping the Menu key and NEXT+ key press down.

Factory OEL Setting Operation

Turn the power ON while keeping the Menu key and LAST- key pressed down.

Power On

When the INTA menu key and the PAPER SIZE key are pressed at the same time, the power is turned on.

When the INTL menu key and the TRAY TYPE key are pressed at the same time, the power is turned on.

- After executing a factory user setting operation, set the EEPROM areas which are for other than the engine block, to the factory default values.

Note 1: At the time of shipment from the factory, settings corresponding to the destination are made at the factory.

Copyright 1997, Okidata, Division of OKI America, Inc. All rights reserved. See the OKIDATA Business Partner Exchange (BPX) for any updates to this material. (<http://bpx.okidata.com>)



Service Guide OKIPAGE6e

Chapter D Maintenance Utility Overview

Overview

This chapter describes the adjustment necessary when replacing a part. The adjustment is made by changing the parameter value set in EEPROM on the Main Control PCB by means of a printer driver or by a maintenance utility program.

A Maintenance Utility for the OKI LED printers (hereinafter referred to as the Maintenance Utility) is an application program that runs on the Microsoft Windows 3.1 and Windows 95.

It is a software designed to set various settings such as printer engine menu, counter initialization, etc. by sending environment setting command selected by the operator.

Environment setting languages transmitted is OPEL (Oki Print Environment Language) and PJL.

The printer supported by this utility is as shown below.

- OKIPAGE4W
- OL610e/610ex
- OKIPAGE6e
- OL600e/600ex
- OL400W
- OKIPAGE6ex

Purpose of the Maintenance Utility

The Maintenance Utility is an application program which is essentially a collection of command transmission/reception functions for factory setting at the time of shipment from the factory and for maintenance works performed by maintenance engineer at customers premises.

The Maintenance Utility is designed to be used only by service personnel and it should not be released to the end-users.

How to Get the OKIPAGE 6e Maintenance Utility Program

The Maintenance Utility Program for the OKIPAGE 6e can be obtained as listed below.

Internet Web Site

www.okidata.com

OKILINK II Bulletin Board Service

1-800-283-5474

You will need the items / settings listed below.

Asynchronous Communications Software set to

8 Data Bits

No Parity

1 Stop Bit

Asynchronous Modem up to 9600 BPS w/error correction IBM Graphics/ANSI terminal emulation

Maintenance Functions

Printer Driver

Printer driver has following functions

- Drum counter reset
- Printer menu default
- Charge roller cleaning

#

#

Figure 4-1

(a) Drum counter reset

For initializing engine counter when user has replaced an Image drum unit. The counter is reset by clicking "Drum Count Reset" button.

(b) Printer menu default

For resetting the printer menu to the default value. The menu is automatically reset by clicking "Default" button.

(c) Charge roller cleaning

For cleaning a charge roller of the Image drum unit. It is used when print quality is deteriorated. For details, refer to the user's manual.

Maintenance Utility

Maintenance utility has following functions.

(1) Engine Menu

For setting the engine menu.

(2) Engine Counter Reset

For resetting the engine counter.

(3) Status Monitor

For real time display of the printer status.

(4) Test print

For local print or test print.

(5) Reload

For reading out the printer setting information.

(6) Option

Other functions.

Main Menu Dialog (Figure 4-2)

#Figure 4-2

Engine Menu

The following functions can be set in the Engine Menu.

(1) Print Position

For adjusting print start position.

(2) LED Head Marking No.

For adjusting LED Head marking duration.

(3) LED Head Width

For stipulating number of LED dots.

(4) Optical head

The mounting head type is set.

(5) Head type

The adjustment method for the adjustment head for 600 DPI is set.

(6) Page PRT

Valid or invalid of page count print of menu print is set.

(7) Wait table

The standby temperature 150°C or 135°C is set.

(8) Setting

For adjusting transfer current value.

(9) Enter

For entering the value newly set by the menu.

(10) Cancel

For canceling the value not yet entered.

Engine Counter

The following functions can be set in the Engine Counter.

Each item is reset by clicking of the "Reset" button.

(1) Drum Count

The number of drum revolution of the EP drum unit, counted at the engine block.

(2) Total Drum Count

The total number of drum revolution of the printer, counted at the engine block.

(3) Page Count

The total number of printed pages counted at the engine block.

(4) Reset All

Resetting all counters by clicking of the button.

Status Monitor

The Status Monitor checks printer status for real time display.

Test Print Button

The Test Print Button shows the Test Print Dialog to execute local print or test file print.

(1) Print Menu

It performs the menu print.

(2) Print Demo

It performs a demo print.

(3) Print Fonts

It prints font samples.

(4) Cleaning

It performs special print to clean the charge roller.

Print File

It performs a test file print.

Printer emulation is stipulated by a file suffix.

xxx.HBP (Hiper-W emulation)

xxx.BIN (PCL emulation)

xxx.PRN (Ditto)

xxx.aaa (Ditto: aaa may be any strings other than the above.)

#Figure 4-3

Option Menu Button

It performs operation selected in the Option Button Menu.

Available operations are as follows.

(1) Reset Engine

It resets all the Engine Menu contents to the factory default setting.

(2) EEPROM Upload

It upload the contents of the Engine Menu Setting and Engine Counter data into the memory on the PC.

(3) EEPROM Download

It download the Engine Menu Setting and Engine Counter data from the memory on the PC and copy it to the EEPROM on the printer.

(4) Product set

Product (ID) of the printer is set. Product which is available at present is only MDL (Model). Up to 32 alphanumeric characters can be inputted.

The corresponding type is the type supporting the ID down- load command. For an unsupported type, no character can be inputted as light color display.

(5) Printer name set

The corresponding type is changed.

#Figure 4-4

Correspondence to non-corresponding product ID printer

When the ID of the printer is not corresponding, a dialog for selecting the corresponding printer name is displayed. When the printer name is set, it is registered in the initialization file and processed as a corresponding printer also for the next and subsequent startup.

The following is a display example of a printer set dialog.

#The following five types of printer names can be set.

OKIPAGE 4w
OL400w or OL410e/W
OL600e or OL600e/W
OL610e or OL610e/W
OKIPAGE 4w Plus
OKIPAGE 6ex or OKIPAGE 6e

Figure 4-5

Reload Button

The same setting as in the starting up of an application software can be made. It reads out the settings of the printer being connected.

It is used to change the printer while running the same application program on the PC.

About Button

It displays information on the Maintenance Utility and the printer firmware.

#Figure 4-6

Exit Button

It ends the Maintenance Utility.

Setup Dialog

The Setup Dialog is displayed when "Setup" is selected from the system menu items on the Main Menu Dialog.

In the Setup Dialog, selection of printer languages and printer port is available.

#Figure 4-7

(1) Printer Port

For selecting a printer port.

(2) Cancel

For canceling the setting and returning to the Main Menu Dialog.

(3) OK

For initializing the settings to reflect all the settings in the menu.

Copyright 1997, Okidata, Division of OKI America, Inc. All rights reserved. See the OKIDATA Business Partner Exchange (BPX) for any updates to this material. (<http://bpx.okidata.com>)



Service Guide OKIPAGE6e

Chapter D Maintenance Utility Overview

Functions supported by the Maintenance Utility are as follows.

Engine Menu

- For setting/initializing the engine menu.

Engine Counter Reset

- For resetting the engine counter.

Test Print

- For printing test data.

Engine Reset

- For resetting the engine menu/counter.

RAM Check

- For checking RAMs on the printer (Not yet supported).

EEPROM Upload/Download

- For uploading/downloading the contents of the EEPROM.
-

Copyright 1997, Okidata, Division of OKI America, Inc. All rights reserved. See the OKIDATA Business Partner Exchange (BPX) for any updates to this material. (<http://bpx.okidata.com>)



Service Guide OKIPAGE6e

Chapter D Maintenance Utility Overview

The Maintenance Utility consists of the following files.

Maintenance Utility ("MNTDRV.EXE")

- The Maintenance Utility executable file.
- It handles user interface (display control) and handling of messages transmitted from the Windows.

Initialization File ("MNTDRV.INI")

- Data such as menu setting of the Maintenance Utility and the command analysis library, etc.
- The file is used for initialization of the program.

Command analysis library ("OPEL.DLL", "PJL.DLL")

- It is a command analysis library which is called from the Maintenance Utility.
- It translates command for the designated printer language, and analyzes status responses.
- There is a corresponding file for each printer environment setting language: one file for OPEL and one file for PJL. Appropriate library is selected automatically by the Maintenance Utility to be loaded and executed.

HBP API Library ("OKIHBP.DLL")

- It is a DLL that functions to interface the Maintenance Utility and the Virtual Device Driver.

Virtual Device Driver ("VOKIHBDP.386")

- It is a virtual device driver that realizes HBP API function by communicating with a printer.

3D display library (CTL3DV2.DLL)

- Library for displaying GUI three-dimensionally

Cleaning print file (CLEANING.DLL)

- When this file is sent, the charge roller is cleaned.
-



Service Guide OKIPAGE6e

Chapter D Maintenance Utility Overview

When the Maintenance Utility is triggered, it reads out menu setting, counter data and version data to display on the Main D Maintenance items are grouped for display in the following manner.

(1) Engine Menu

Display/Set Engine Menu settings

(2) Engine Counter

Engine counter display/initialization

(3) Status Monitor

Real time display of a printer status

(4) Test Print

Local print and test print

(5) Reload

Read out setting data from a printer

(6) Option

Other functions

Main Menu Dialog Display

#



Service Guide OKIPAGE6e

Chapter D Maintenance Utility Overview

In the Engine Menu Group, following items may be set.

Print Position

Setting	Print Position
Setting item	Correct print start position.
Setting range	-4.00 mm ~ +3.5 mm
F/W default	0.00 mm

LED Head Drive Time

Display	LED Head Marking No.
Setting item	Adjust LED head marking time.
Setting range	-37 ~ 505 - 545
F/W default	155 - 167

LED Head Width (OKIPAGE 6e)

Display	LED Head Width
Setting item	Select number of LED Head dot numbers.
Setting range	Full (2560 dots)/Narrow (2496 dots)
F/W default	Full

Setting

Display	Setting
Setting item	Adjust transfer current intensity
Setting range	-1/0/+1
F/W default	0

Optical Head

Display	Optical Head
Setting item	Setting of mounting head type
Setting range	D-300-1W(300DPI) / D300-2W(300DPI adjustment) / D D-600-4W(600DPI)
F/W default	D300-1W(OKIPAGE 6e) / D600-4W(OKIPAGE 6ex)

Head type (OKIPAGE 6ex)

Display	HEAD TYPE
Setting item	The adjustment method for the adjustment head for 600DPI is set.
Setting range	*TYPE1 / TYPE 2D2 / TYPE 2D4

F/W default	TYPE 1
-------------	--------

Page count print

Display	Page PRT
Setting item	Valid or invalid of page count print of menu print is set.
Setting range	DISABLE / ENABLE
DISABLE / ENABLE	DISABLE

Wait table

Display	Wait Table
Setting item	The standby temperature 150°C or 135°C is set.
Setting range	Normal / Low Level
F/W default	Normal

Enter

- The values set at the time of the clicking of the "Enter" button is entered as a new setting value.

Cancel

- The value set at the time of the clicking of the "Cancel" menu is cleared.

Copyright 1997, Okidata, Division of OKI America, Inc. All rights reserved. See the OKIDATA Business Partner Exchange (BPX) for any updates to this material. (<http://bpx.okidata.com>)



Service Guide OKIPAGE6e

Chapter D Maintenance Utility Overview

In the Engine Counter Group, following items may be set.

Drum Count

- It displays the number of drum revolution of the EP drum unit, counted at the engine block.

Total Drum Count

- It displays the total number of drum revolution of the printer, counted at the engine block.

Page Count

- It displays the total number of pages printed after shipment.

Reset

- Upon clicking of the "Reset" button, the Message Box is displayed to confirm operator's intention to reset the counter. Upon further clicking, it sends all counter reset command to clear data.

Caution: When page count exceeds 500 pages, the "Reset" button is disabled and it can not be reset.

Reset All

- Resetting all counters by clicking of the button. Upon clicking of the "Reset All" button, the Message Box is displayed to confirm operator's intention to reset the counter. Upon further clicking, it sends all counter reset command to clear data.
-

Copyright 1997, Okidata, Division of OKI America, Inc. All rights reserved. See the OKIDATA Business Partner Exchange (BPX) for any updates to this material. (<http://bpx.okidata.com>)



Service Guide OKIPAGE6e

Chapter D Maintenance Utility Overview

It monitors the printer status and displays the status in real time.

For display messages, refer to the table below.

Normal Status

Status	Message
Initializing	Initializing
On-Line	Ready
Off-Line	Ready
Data Exist	Data Exist
Power save mode	Ready Power Saving
Print demo	Printing Demo
Print menu	Printing Menu
Print fonts	Printing Fonts

Warning

Status	Message
Toner low	Ready Toner Low
Toner Sensor problem	Ready Toner Sensor Problem
Change drum	Ready Change Drum Unit
Raster buffer error	Resident Raster Buffer Check Error

Warning

Status	Message
Toner low	Ready Toner Low
Toner Sensor problem	Ready Toner Sensor Problem
Change drum	Ready Change Drum Unit
Raster buffer error	Resident Raster Buffer Check Error

Real Time Status

Status	Message
Printing	Printing
Exiting	Printing

Paper Request

Status	Message
Tray1 paper request	Standard Tray Paper# Request
Tray2 paper request	Second Tray Paper# Request
Manual paper request	Manual Paper# Request
Feeder paper request	Multipurpose Feeder Paper# Request

Paper#:
Executive
Letter

Message:
Executive Paper
Letter Paper

Legal 14	Legal14" Paper
Legal 13	Legal13" Paper
Ledger	Ledger Paper
A6	A6 Paper
A5	A5 Paper
A4	A4 Paper
A3	A3 Paper
B5	B5 Paper
B4	B4 Paper
Monarch	Monarch Envelope
COM-10	Com-10 Envelope
DL	DL Envelope
C5	C5 Envelope
JIS B5	JIS B5 Envelope
C4	C4 Envelope
COM-9	Com-9 Envelope

Warming Up

Status	Message
Warming Up	Ready Warming Up

Paper Out

Status	Message
Tray1 Paper Out	Standard Tray Paper Out
Tray2 Paper Out	Second Tray Paper Out
Feeder Paper Out	Multipurpose Feeder Paper Out

Cover Open

Status	Message
Cover Open	Cover Open
Second Tray Cover Open	Second Tray Cover Open

Jam & Size Error

Status	Message
Paper Size Error	Paper Size Error
Input Jam	Paper Input Jam
Feed Jam	Paper Feed Jam
Exit Jam	Paper Exit Jam

Recoverable Alarm

Status	Message
Page Buffer Overflow	Page Buffer Overflow
Macro Buffer Overflow	Macro Buffer Overflow
DLL Buffer Overflow	DLL Buffer Overflow
Receive Buffer Overflow	Receive Buffer Overflow
Send Buffer Overflow	Send Buffer Overflow
Print Overrun	Print Overrun

Unrecoverable Error

Status	Message
Controller Error	Controller Error
Controller Error	Program ROM Check Error
Font ROM Check Error	Font ROM Check Error

Resident RAM Check Error	Resident RAM Check Error
EEPROM Check Error	EEPROM Check Error
Option ROM Check Error	Option Software ROM Check Error
Option RAM Check Error	Option RAM Check Error
Fan Motor Error	Fan Motor Error
Fuser Error	Fuser Error
Thermistor Error	Thermistor Error
Thermistor Open	Thermistor Open Check Error
Thermistor Short	Thermistor Short Check Error
Toner Sensor	Toner Sensor Error
Ope-Panel Time-out Error	Ope-Panel Interface Time-out Error
Option I/F Time-out	Option Interface Time-out Error
Tray2 Time-out	Second Tray Time-out Error
Feeder Time-out	Multipurpose Feeder Time-out Error
Watch Dog Time-out	Watch Dog Time-out Error
SSIO Error	SSIO Interface Error
Monitor Error	Monitor Error
Monitor Error	Monitor Error
Option Time-out Error	Option Time-out Error
Option Status Error	Option Status Error
Back Ground Program Error	Back Ground Program Error
System Timer Program Error	System Timer Program Error
IPT1 Program Error	IPT1 Program Error

Copyright 1997, Okidata, Division of OKI America, Inc. All rights reserved. See the OKIDATA Business Partner Exchange (BPX) for any updates to this material. (<http://bpx.okidata.com>)



Service Guide OKIPAGE6e

Chapter D Maintenance Utility Overview

It displays the Test Print Dialog and performs local print or test file print.

Copyright 1997, Okidata, Division of OKI America, Inc. All rights reserved. See the OKIDATA Business Partner Exchange (BPX) for any updates to this material. (<http://bpx.okidata.com>)



Service Guide OKIPAGE6e

Chapter D Maintenance Utility Overview

2.4.1 Local Print

No.	Item	Print Test Item
1	Menu Status Print	Menu Print
2	Demonstration	Demo Print
3	Printer Available Font Print	Font Print
4	Change Roller Cleaning Print	Charge Roller Cleaning

#

Copyright 1997, Okidata, Division of OKI America, Inc. All rights reserved. See the OKIDATA Business Partner Exchange (BPX) for any updates to this material. (<http://bpx.okidata.com>)



Service Guide OKIPAGE6e

Chapter D Maintenance Utility Overview

It opens the File selection Dialog box (Windows API) to wait for print file input by an operator.

Print emulation is selected depending on the suffix of the selected file.

XXX.HBP It switches to Hiper Windows emulation and transmits data.
XXX.PCL It switches to PCL emulation and transmits data.
XXX.BIN It switches to PCL emulation and transmits data.
XXX.XXX It switches to PCL emulation and transmits data.



Service Guide OKIPAGE6e

Chapter D Maintenance Utility Overview

Page: 103

It displays the Option Menu Dialog.

For details, refer to 3. Option Menu Dialog.

Copyright 1997, Okidata, Division of OKI America, Inc. All rights reserved. See the OKIDATA Business Partner Exchange (BPX) for any updates to this material. (<http://bpx.okidata.com>)



Service Guide OKIPAGE6e
Chapter D Maintenance Utility Overview

It opens the About Dialog box to display information on the Maintenance Utility and the printer firmware.

#

Copyright 1997, Okidata, Division of OKI America, Inc. All rights reserved. See the OKIDATA Business Partner Exchange (BPX) for any updates to this material. (<http://bpx.okidata.com>)



Service Guide OKIPAGE6e

Chapter D Maintenance Utility Overview

It performs the same operation as that of the program start up. It reads out printer menu settings and counter values.

This function is mainly used to copy the settings of previous printer into newly replaced printer or newly replaced main control board.

Copyright 1997, Okidata, Division of OKI America, Inc. All rights reserved. See the OKIDATA Business Partner Exchange (BPX) for any updates to this material. (<http://bpx.okidata.com>)



Service Guide OKIPAGE6e

Chapter D Maintenance Utility Overview

It ends the Maintenance Utility.

Before it closes, it shows a dialog box to confirm whether to renew the setting when the menu settings displayed on the Engine Menu and the User Default Environment do not match.

When "Yes" is selected:

It writes the setting of the Menu in the EEPROM of the printer and terminates the program.

When "No" is selected:

It terminates the program without writing the setting of the Engine Menu in the EEPROM of the printer.

Copyright 1997, Okidata, Division of OKI America, Inc. All rights reserved. See the OKIDATA Business Partner Exchange (BPX) for any updates to this material. (<http://bpx.okidata.com>)

-
- It displays the Option Menu Dialog and performs functions listed on the menu.

Option Menu items are grouped into three categories.

EEPROM Operation

- It displays and sets the Engine menu settings.

H/W Check

- It checks the printer hardware.

Product set

- Product (ID) of the printer is set.

Printer name set

- The corresponding type is changed.

#



Service Guide OKIPAGE6e

Chapter D Maintenance Utility Overview

It sets all Engine Menu including "Print position" and "Setting" except LED Head setting to factory shipment default. All counter is reset to zero. It has the same function as that of the "Engine Reset" of the Engine Menu Mode.

Copyright 1997, Okidata, Division of OKI America, Inc. All rights reserved. See the OKIDATA Business Partner Exchange (BPX) for any updates to this material. (<http://bpx.okidata.com>)



Service Guide OKIPAGE6e

Chapter D Maintenance Utility Overview

It reads out the Engine Menu setting and the Counter data of the printer being connected and store the data in RAM of the PC.

When the data is stored in RAM of the PC, "EEPROM Download" button becomes effective.

Copyright 1997, Okidata, Division of OKI America, Inc. All rights reserved. See the OKIDATA Business Partner Exchange (BPX) for any updates to this material. (<http://bpx.okidata.com>)



Service Guide OKIPAGE6e

Chapter D Maintenance Utility Overview

It sends the Engine Menu setting and the Counter setting data to the printer to set EEPROM when the "Upload button" has been clicked.

Copyright 1997, Okidata, Division of OKI America, Inc. All rights reserved. See the OKIDATA Business Partner Exchange (BPX) for any updates to this material. (<http://bpx.okidata.com>)



Service Guide OKIPAGE6e
Chapter D Maintenance Utility Overview

Copyright 1997, Okidata, Division of OKI America, Inc. All rights reserved. See the OKIDATA Business Partner Exchange (BPX) for any updates to this material. (<http://bpx.okidata.com>)



Service Guide OKIPAGE6e

Chapter D Maintenance Utility Overview

The destination change command and product change command are sent to the printer and the destination and product are changed to those displayed in Edit Box, Printer Name, Edit Box, and Combo Box of Product.

Copyright 1997, Okidata, Division of OKI America, Inc. All rights reserved. See the OKIDATA Business Partner Exchange (BPX) for any updates to this material. (<http://bpx.okidata.com>)



Service Guide OKIPAGE6e
Chapter D Maintenance Utility Overview

It terminates the Option Menu Dialog and returns to the Main Menu Dialog.

Copyright 1997, Okidata, Division of OKI America, Inc. All rights reserved. See the OKIDATA Business Partner Exchange (BPX) for any updates to this material. (<http://bpx.okidata.com>)

The Setup Dialog is displayed upon selection of "Setup" in the Main Menu Dialog. Environment setting language selection a
The figure below shows a typical Setup Dialog.

#

Printer Language

- It designates printer environment setting language.

Add (Not supported)

- It adds new printer environment setting language.

Printer Port

- It designates printer port.

Cancel

- The value set at the time of the clicking of the "Cancel" menu is cleared. It returns to the Main Menu Dialog.

OK

- The values set at the time of the clicking of the "OK" button is entered into the printer as a new setting value.



Service Guide OKIPAGE6e
Chapter E Multi-Purpose Feeder Maintenance

This Maintenance Manual is intended for the service person and describes the field maintenance methods for Multi-Purpose Feeder option of OL600e Series LED Page Printer. Refer to the Printer Handbook for equipment handling and operation methods.

Copyright 1997, Okidata, Division of OKI America, Inc. All rights reserved. See the OKIDATA Business Partner Exchange (BPX) for any updates to this material. (<http://bpx.okidata.com>)



Service Guide OKIPAGE6e

Chapter E Multi-Purpose Feeder Maintenance

This optional Multi-Purpose Feeder is installed on the front section of the printer, and it supplies paper automatically through the operation of pulse motor, which is driven by signals sent from the printer.

The main functions are:

- Paper that can be used:

[Paper Types]

- Standard Paper: Xerox 4200 (20-lb)
- Special Paper: OHP sheets (for PPC), label sheets (PPC sheets)

* Not guaranteed for OHP sheets with attachments on the edge or reverse side.

- Cut Sheet Size: Letter, Executive, A4, A5, B5, A6

Special Size: Width 87 to 216mm

Length 148 to 297mm

[Weight and Thickness]

- 16-lb to 32-lb (60~128 g/m²)
- For Label and OHP Sheets: Label sheets: 0.1 to 0.15mm

OHP sheets: 0.08 to 0.11mm

* When using sheets which exceed 24-lb, make sure that the paper exits through the face-up route.

Copyright 1997, Okidata, Division of OKI America, Inc. All rights reserved. See the OKIDATA Business Partner Exchange (BPX) for any updates to this material. (<http://bpx.okidata.com>)



Service Guide OKIPAGE6e

Chapter E Multi-Purpose Feeder Maintenance

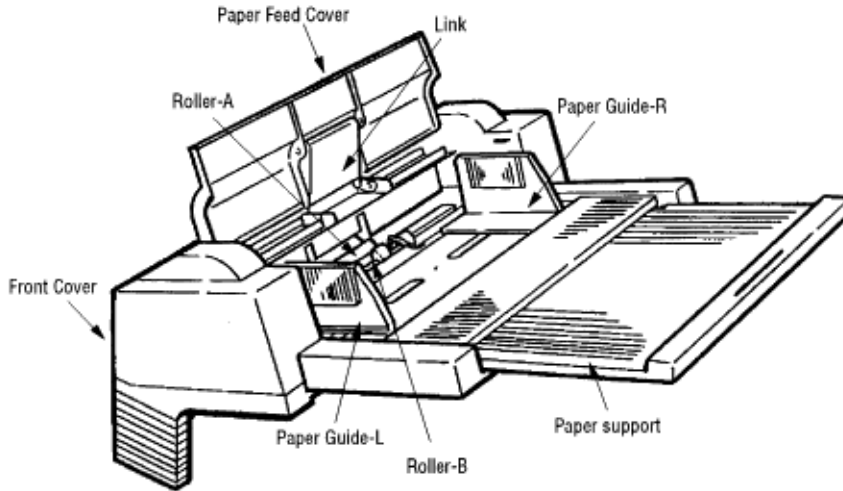


Figure 1-1

Copyright 1997, Okidata, Division of OKI America, Inc. All rights reserved. See the OKIDATA Business Partner Exchange (BPX) for any updates to this material. (<http://bpx.okidata.com>)



Service Guide OKIPAGE6e

Chapter E Multi-Purpose Feeder Maintenance

The Multi-Purpose Feeder feeds the paper into the printer by receiving the signal from the printer, which drives the pulse motor inside the Multi-Purpose Feeder, and this motion is conveyed to rotate roller-A and B. The paper is delivered from the separator into the printer.

Once delivered into the printer, the paper is then controlled and fed through by pulse motor (Registration) of the printer.

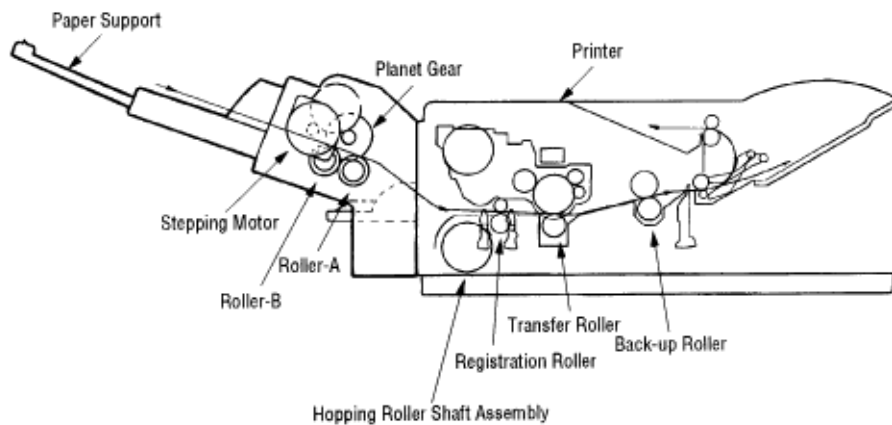
Copyright 1997, Okidata, Division of OKI America, Inc. All rights reserved. See the OKIDATA Business Partner Exchange (BPX) for any updates to this material. (<http://bpx.okidata.com>)



Service Guide OKIPAGE6e

Chapter E Multi-Purpose Feeder Maintenance

The hopper automatically feeds the printer with the paper being set, single sheet at a time. After the paper is set in the Multi-Purpose Feeder, the pulse motor moves the paper and a single paper caught by the separator is fed into the printer.



Copyright 1997, Okidata, Division of OKI America, Inc. All rights reserved. See the OKIDATA Business Partner Exchange (BPX) for any updates to this material. (<http://bpx.okidata.com>)



Service Guide OKIPAGE6e

Chapter E Multi-Purpose Feeder Maintenance

This section covers the procedures for the disassembly, reassembly and installations in the field.

This section describes the disassembly procedures, and for reassembly procedures, basically proceed with the disassembly procedures in the reverse order.

Copyright 1997, Okidata, Division of OKI America, Inc. All rights reserved. See the OKIDATA Business Partner Exchange (BPX) for any updates to this material. (<http://bpx.okidata.com>)



Service Guide OKIPAGE6e








Chapter E Multi-Purpose Feeder Maintenance

- (1) Parts replacements must be carried out, by first turning the printer power switch off "O" and removing the Multi-Purpose Feeder from the printer.
- (2) Do not disassemble the Multi-Purpose Feeder if it is operating normally.
- (3) Establish the extent of disassembly suitable for the purpose of the procedure, and do not disassemble any more than necessary.
- (4) Only specified service tools may be used.
- (5) Disassembly must be carried out according to the prescribed procedures. Parts may be damaged if such procedures are not followed.
- (6) Small parts such as screws and collars can easily be lost, therefore these parts should be temporarily fixed in the original location.
- (7) When handling printed circuit boards, do not use any glove which may generate static electricity.
- (8) Do not place the printed circuit boards directly on the equipment or floor.

Service Tools

Table 3-1 shows the tools required for the replacement of printed circuit boards and units in the field.

Table 3-1 Service Tools

No.	Service tools	Q'ty	Place of use	Remarks
1	 No. 1-100 Philips screwdriver	1	2 ~ 2.5 mm screws	
2	 No. 2-100 Philips screwdriver	1	3 ~ 5 mm screws	
3	 NO. 3-100 screwdriver	1		
4	 NO. 5-200 screwdriver	1		
5	 Digital multimeter	1		
6	 Pliers	1		
7	 Handy cleaner	1		

Copyright 1997, Okidata, Division of OKI America, Inc. All rights reserved. See the OKIDATA Business Partner Exchange (BPX) for any updates to this material. (<http://bpx.okidata.com>)



Service Guide OKIPAGE6e

Chapter E Multi-Purpose Feeder Maintenance

This section describes the layout of the main components.

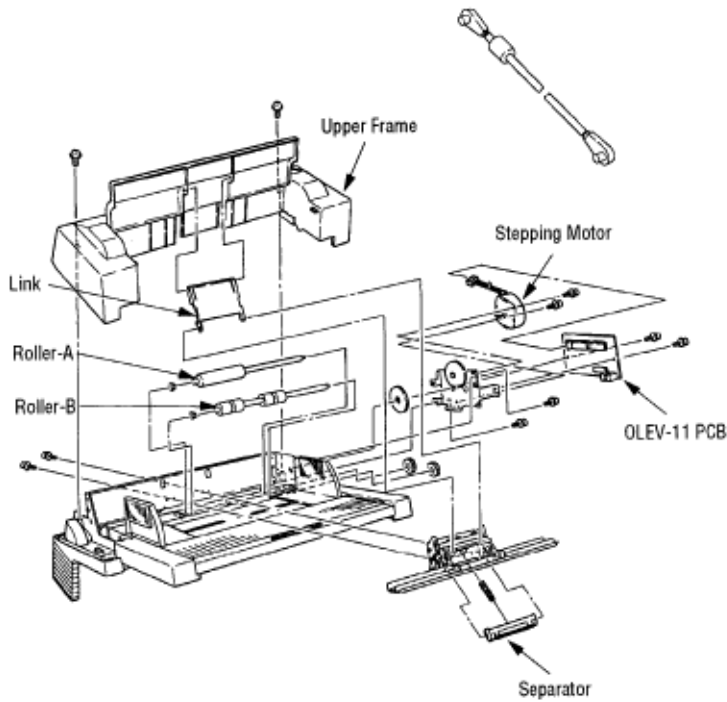


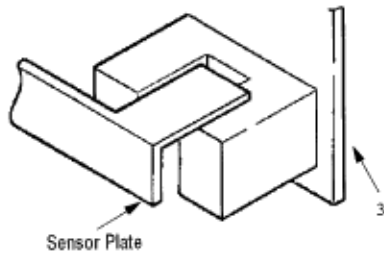
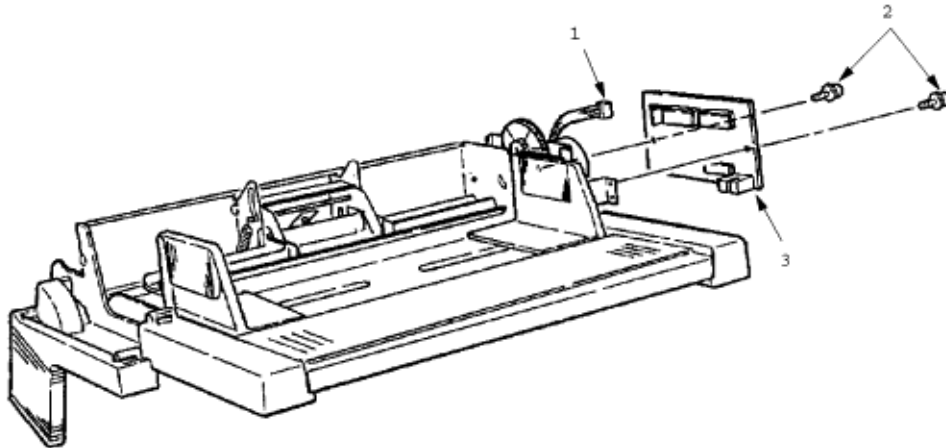
Figure 3-1



Service Guide OKIPAGE6e

Chapter E Multi-Purpose Feeder Maintenance

This section describes the parts replacement methods for the components listed in the disassembly order diagram below.



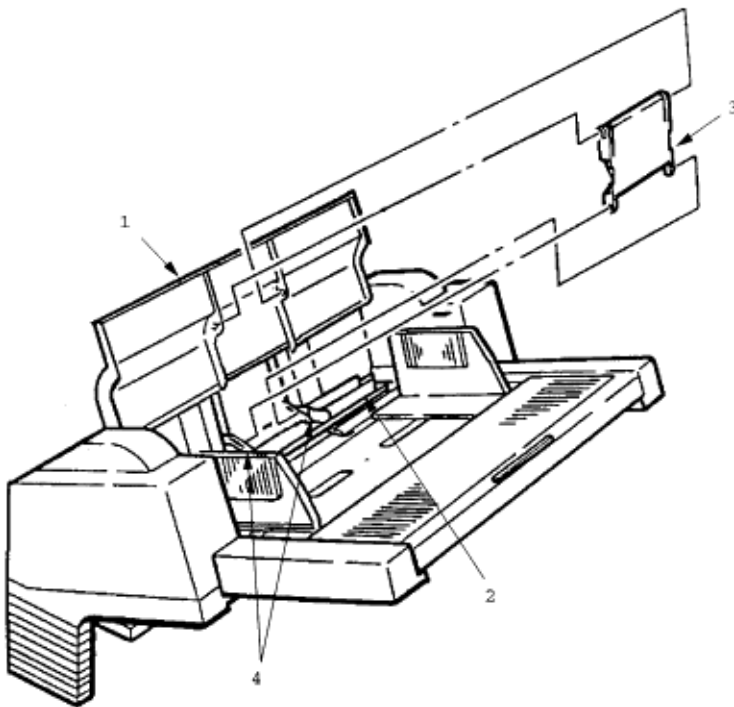


Service Guide OKIPAGE6e

Chapter E Multi-Purpose Feeder Maintenance

-
- (1) Open paper feed cover 1, and disengage the paper feed cover 1 and Link 3, while lifting the paper hold 2.
 - (2) Remove the paper hold 2 off the arm 4.
 - (3) Disengage the link 3 from the arm 4, and remove it.

*** Be careful not to damage the link and arm.**

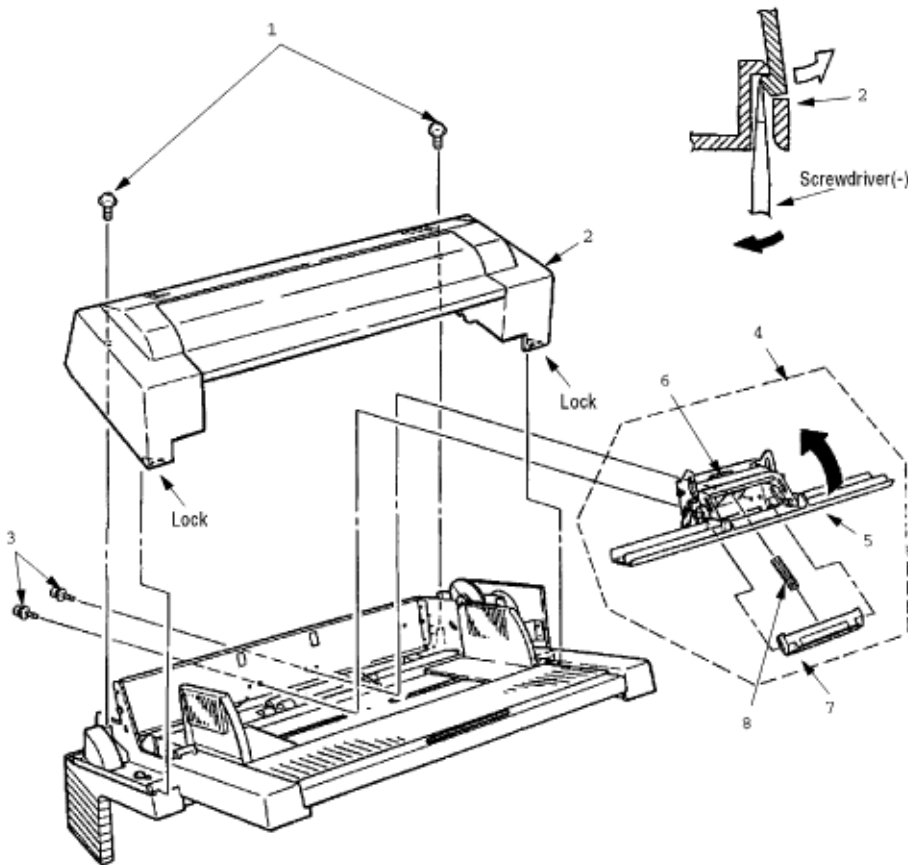




Service Guide OKIPAGE6e

Chapter E Multi-Purpose Feeder Maintenance

- (1) Turn the power switch off "O" and remove the connector cord.
- (2) Disengage the link and paper feeder cover (see 3.3.1).
- (3) Remove the 2 screws 1, disengage the locks at 2 locations on the upper frame 2 with a screwdriver, and remove the upper frame 2.
- (4) Remove the 2 screws 3, and take out the separator assembly 4.
- (5) Disengage the separator 7 from the separator bracket 6 while lifting the paper hold 5, and take out the separator (be careful not to lose the spring 8 when you are doing this).



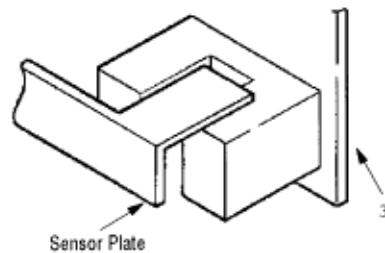
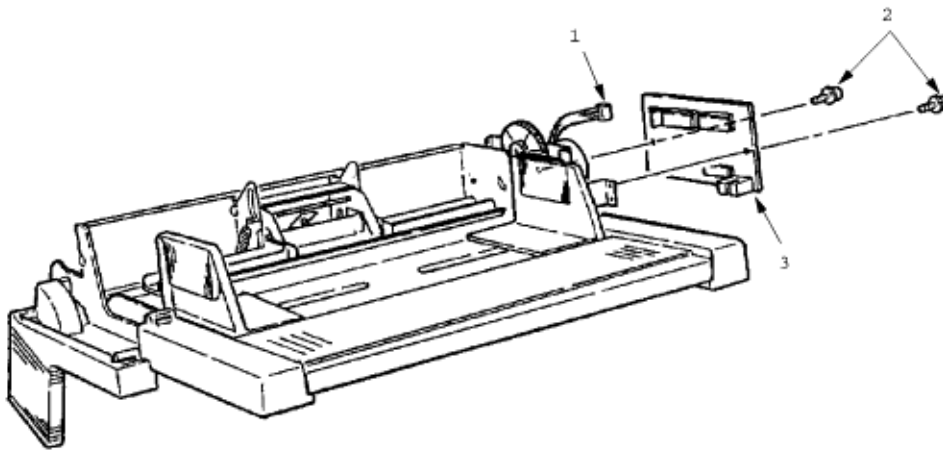


Service Guide OKIPAGE6e

Chapter E Multi-Purpose Feeder Maintenance

- (1) Remove the upper frame (see 3.3.2 steps (1) through (3)).
- (2) Remove the connector 1.
- (3) Remove the 2 screws 2, and remove the OLEV-11 PCB 3.

When mounting the printed circuit board, be careful to make sure that the sensor plate is being set correctly.

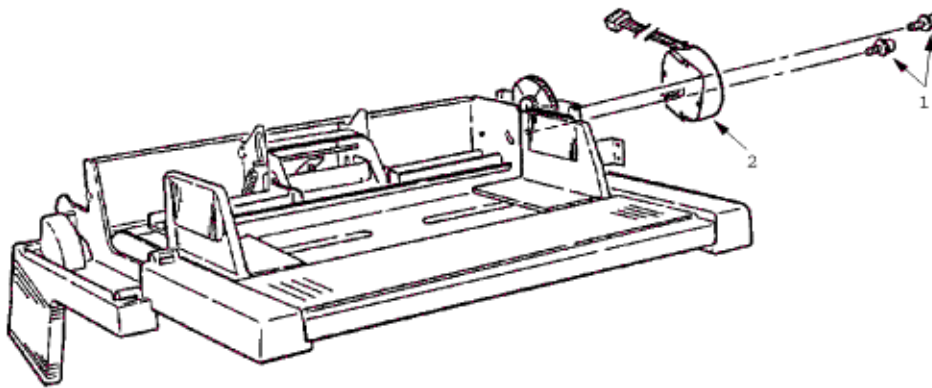




Service Guide OKIPAGE6e

Chapter E Multi-Purpose Feeder Maintenance

- (1) Remove the upper frame (see 3.3.2 steps (1) through (3)).
- (2) Remove the OLEV-11 PCB (see 3.3.3).
- (3) Remove the 2 screws 1, and remove the stepping motor 2.



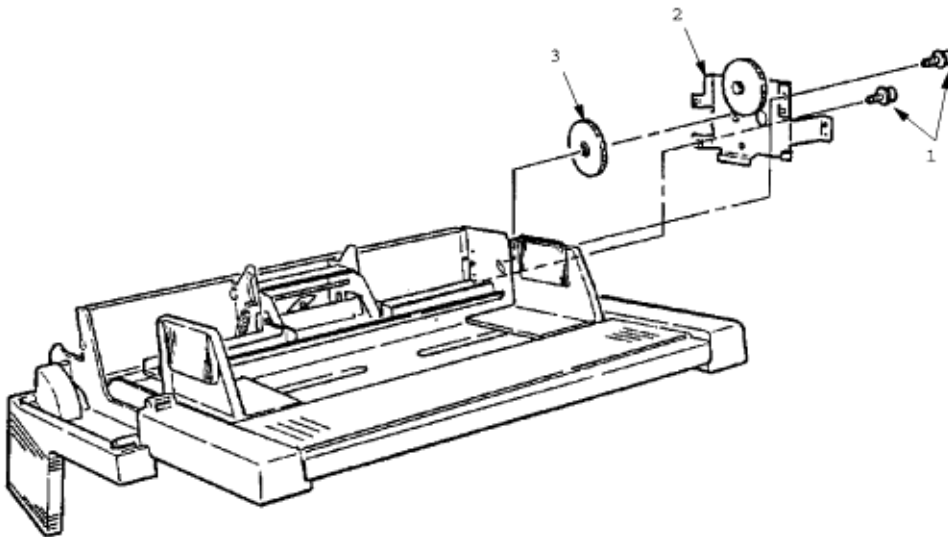
Copyright 1997, Okidata, Division of OKI America, Inc. All rights reserved. See the OKIDATA Business Partner Exchange (BPX) for any updates to this material. (<http://bpx.okidata.com>)



Service Guide OKIPAGE6e

Chapter E Multi-Purpose Feeder Maintenance

- (1) Remove the upper frame (see 3.3.2 steps (1) through (3)).
- (2) Remove the OLEV-11 PCB (see 3.3.3).
- (3) Remove the 2 screws 1, and remove the motor bracket assembly 2 and planet gear 3.



Copyright 1997, Okidata, Division of OKI America, Inc. All rights reserved. See the OKIDATA Business Partner Exchange (BPX) for any updates to this material. (<http://bpx.okidata.com>)



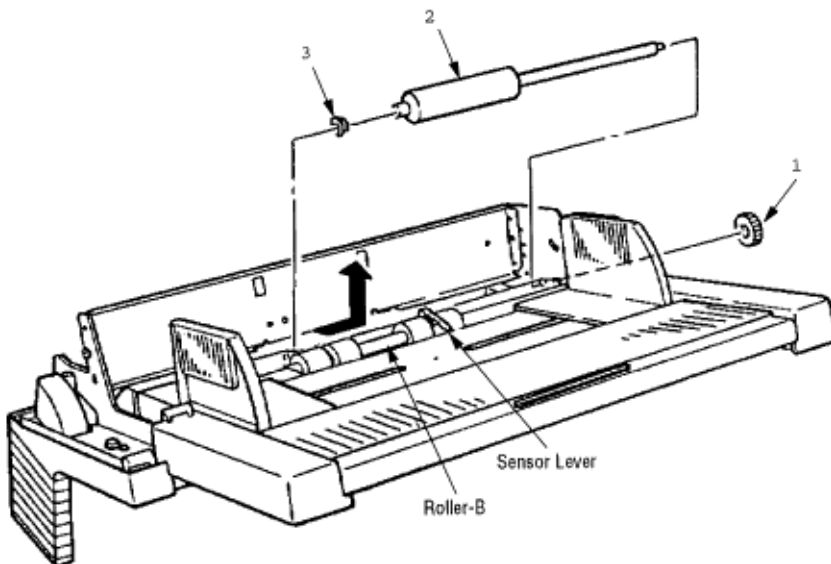
Service Guide OKIPAGE6e

Chapter E Multi-Purpose Feeder Maintenance

While only the removal procedure for roller-A is described here, the removal procedure for roller-B is basically same.

When removing roller-B, however, be careful not to deform the sensor lever.

- (1) Remove the upper frame (see 3.3.2 steps (1) through (3)).
- (2) Remove the separator assembly (see 3.3.2).
- (3) Remove the OLEV-11 PCB (see 3.3.3.).
- (4) Remove the motor bracket (see 3.3.5).
- (5) Remove the gear 1.
- (6) Shift the roller-A 2 to the right, lift it on its left side and slide it out (the bearing 3 also comes off while you are doing this, so be careful not to lose it).





Service Guide OKIPAGE6e
Chapter E Multi-Purpose Feeder Maintenance

- (1) Go through the basic checking items provided in the Operator Guide.
 - (2) Obtain detailed information concerning the problem from the user.
 - (3) Go through the checking in the conditions similar to that in which the problem occurred.
-

Copyright 1997, Okidata, Division of OKI America, Inc. All rights reserved. See the OKIDATA Business Partner Exchange (BPX) for any updates to this material. (<http://bpx.okidata.com>)



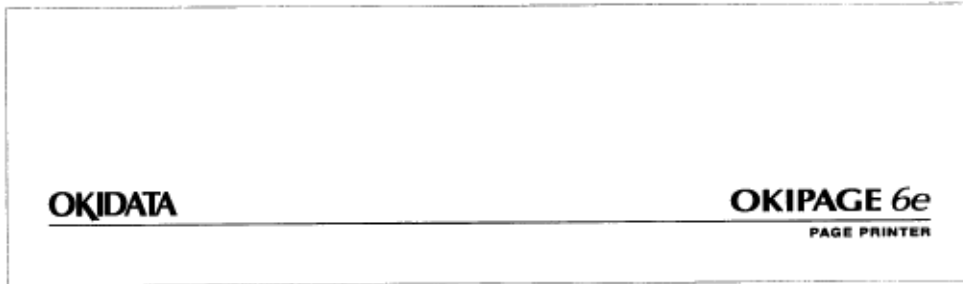
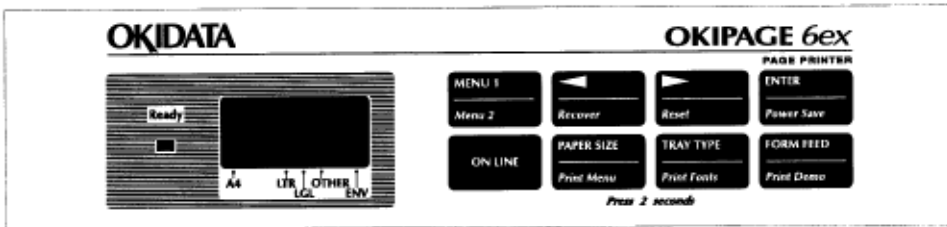
Service Guide OKIPAGE6e

Chapter E Multi-Purpose Feeder Maintenance

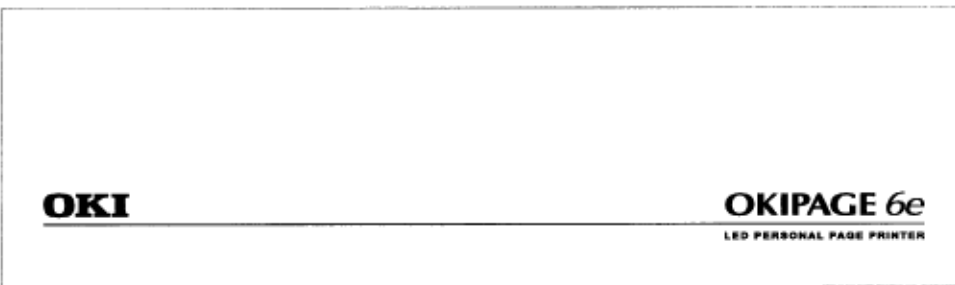
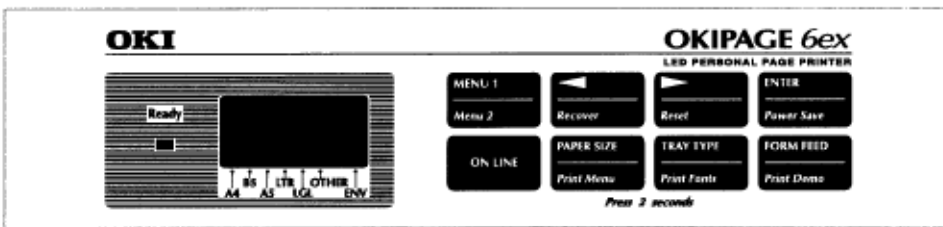
(1) Display on the operator panel

The status of the problem is displayed on the LCD (Liquid Crystal Display) on the operator panel. Go through the appropriate troubleshooting procedures according to the messages displayed on the LCD.

[ODA]






[OEL/INT]



Status message display

Ready LED display

 : OFF
 : ON

 : BLINKING
 : Undefined

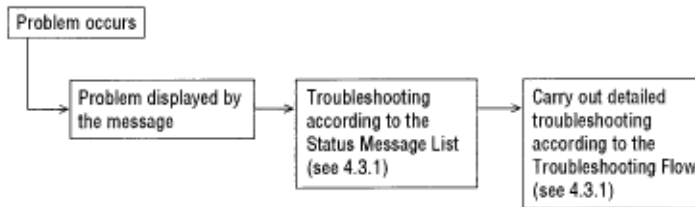
Copyright 1997, Okidata, Division of OKI America, Inc. All rights reserved. See the OKIDATA Business Partner Exchange (BPX) for any updates to this material. (<http://bpx.okidata.com>)



Service Guide OKIPAGE6e

Chapter E Multi-Purpose Feeder Maintenance

When a problem occurs, go through the troubleshooting according to the following procedure.




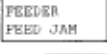


Copyright 1997, Okidata, Division of OKI America, Inc. All rights reserved. See the OKIDATA Business Partner Exchange (BPX) for any updates to this material. (<http://bpx.okidata.com>)



Service Guide OKIPAGE6e

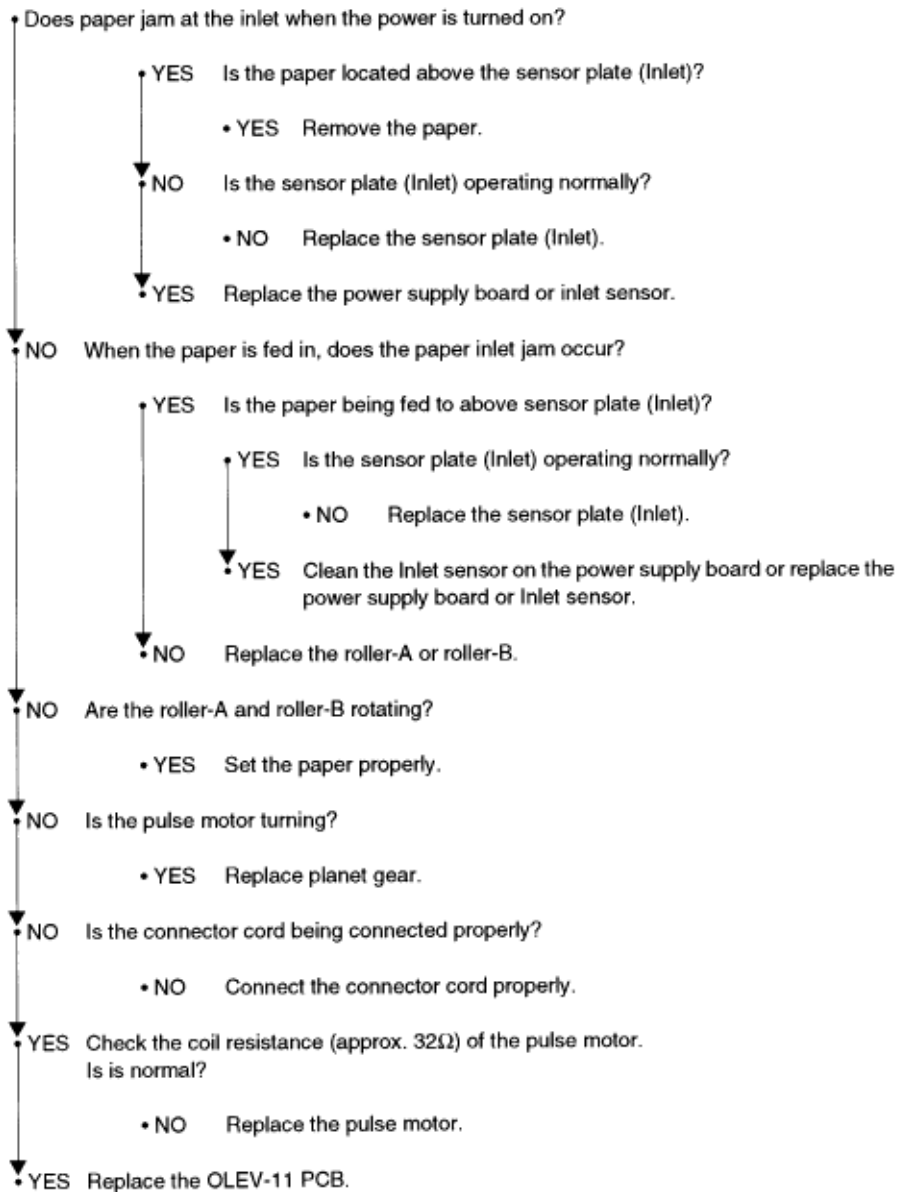
Chapter E Multi-Purpose Feeder Maintenance

The listing of the statuses and problems displayed in the form of messages on the LCD or PC display is provided in Table 4-1.

Classification	LCD Status Message and PC Display	Description	Recovery Method
Jam error	<Printer LCD Status Message>  or  <PC Display Status Message> Paper Input Jam Paper Feed Jam	Notifies of occurrence of jam while the paper is being fed from Multi-Purpose Feeder	<ul style="list-style-type: none"> • Check the paper in the Multi-Purpose Feeder. Carry out the recovery printing by opening and closing the cover, and turn the error display off. • When the problem occurs frequently, to through the Troubleshooting.
Paper size error	<Printer LCD Status Message>  <PC Display Status Message> Paper Size Error	Notifies of incorrect size paper feeding from Multi-Purpose Feeder.	<ul style="list-style-type: none"> • Check the paper in the Multi-purpose Feeder. Also check to see if there was a feeding of multiple sheets. Carry out the recovery printing by opening and closing the cover, and turn the error display off.
Tray paper out	<Printer LCD Status Message>  <PC Display Status Message> Multipurpose Feeder Paper Out	Notifies of no paper state of the Multi-Purpose Feeder.	<ul style="list-style-type: none"> • Load the paper in Multi-Purpose Feeder.

JAM Error

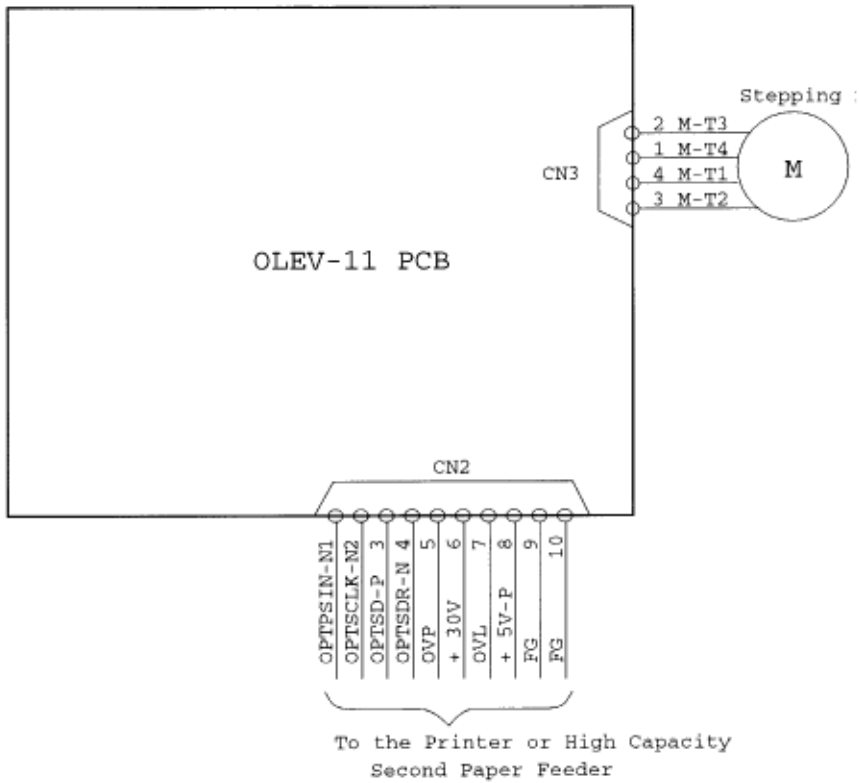
Paper Inlet Jam





Service Guide OKIPAGE6e

Chapter E Multi-Purpose Feeder Maintenance

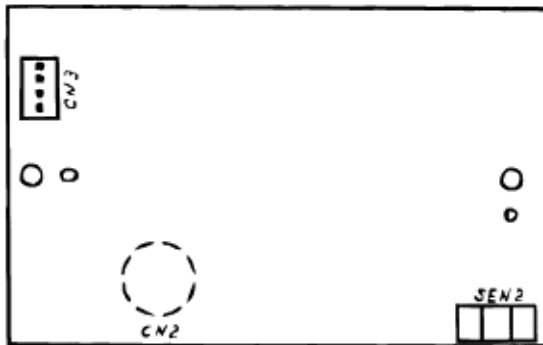




Service Guide OKIPAGE6e

Chapter E Multi-Purpose Feeder Maintenance

OLEV-11 PCB



Copyright 1997, Okidata, Division of OKI America, Inc. All rights reserved. See the OKIDATA Business Partner Exchange (BPX) for any updates to this material. (<http://bpx.okidata.com>)

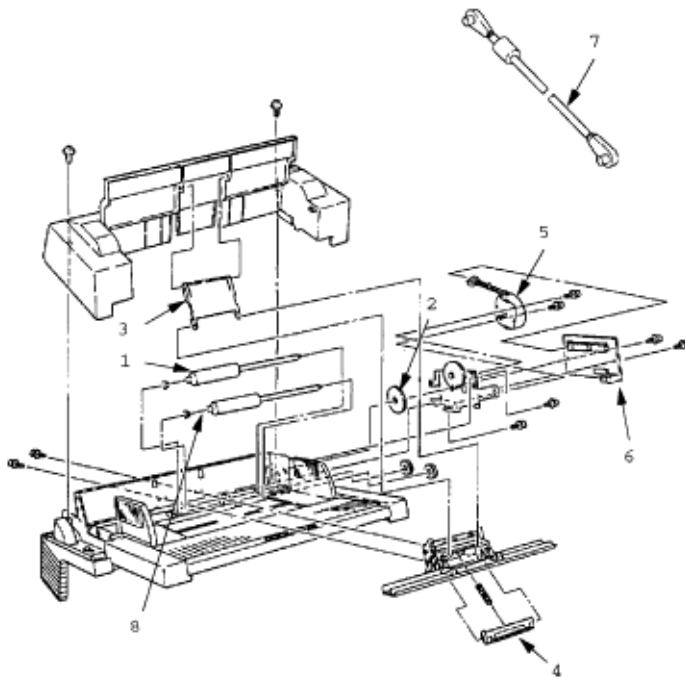


Figure 6-1 Multi-Purpose Feeder

Table 6-1 Multi-Purpose Feeder

No.	Description	Oki-J Part No.	ODA Part No.	Q'ty	Remark
1	Roller-A	3PB4083-5514P 1	50409201	1	
2	Planet gear	4PP4083-5520P 1	51229601	1	
3	Link	3PP4083-5540P 1	53344101	1	
4	Separator	4PP4083-5544G 1	53344201	1	
5	Pulse motor	4PB4083-6075P 1	56510701	1	
6	OLEV-PCB	4YA4121-1014G 11	55074811	1	
7	Connection cord	3YS4011-3141P 1	56631201	1	
8	Roller-B	3PB4083-5524P 1	53343901	1	

9	Separator assy	3PA4083-5549G 1	53347101	1	Includes 3 and 4 above.
---	----------------	--------------------	----------	---	-------------------------

Copyright 1997, Okidata, Division of OKI America, Inc. All rights reserved. See the OKIDATA Business Partner Exchange (BPX) for any updates to this material. (<http://bpx.okidata.com>)



Service Guide OKIPAGE6e
Chapter F High Capacity Second Paper Feeder

PREFACE

This Maintenance Manual is intended for the service person and describes the field maintenance methods for High Capacity Second Paper Feeder option of OKIPAGE 6e Series LED Page Printer.

Refer to the Printer Handbook for the equipment handling and operation methods.

Copyright 1997, Okidata, Division of OKI America, Inc. All rights reserved. See the OKIDATA Business Partner Exchange (BPX) for any updates to this material. (<http://bpx.okidata.com>)



Service Guide OKIPAGE6e

Chapter F High Capacity Second Paper Feeder

The printer is mounted on top of this High Capacity Second Paper Feeder, and it supplies paper automatically through the operation of pulse motor (Hopping), which is driven by signals sent from the printer.

The main functions are:

- Paper that can be used:

[Paper Type]

- Standard Paper: Xerox 4200 (20-lb)

Use of envelopes, OHP sheets, label sheets and thick paper is not possible.

- Cut Sheet Size: A4, A5, B5, Letter, Executive, Legal13, Legal14
- Special Size: Paper Width: 87 to 216mm

Paper length: 190 to 355.6mm

[Weight]

- 16-lb to 24-lb (60 to 90 g/m²)
 - Paper setting quantity: 250 sheets of paper weighing 64 g/m²
-

Copyright 1997, Okidata, Division of OKI America, Inc. All rights reserved. See the OKIDATA Business Partner Exchange (BPX) for any updates to this material. (<http://bpx.okidata.com>)



Service Guide OKIPAGE6e

Chapter F High Capacity Second Paper Feeder

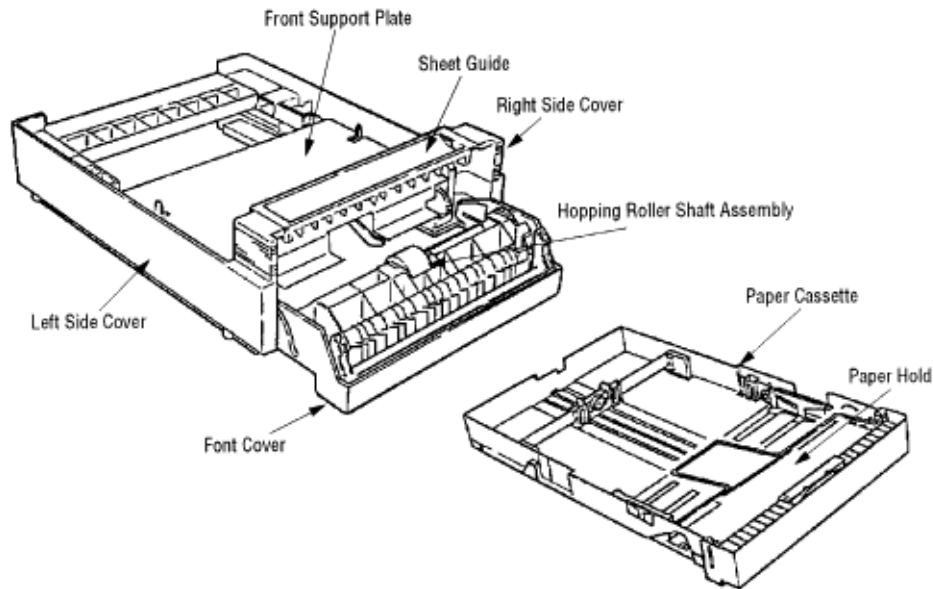


Figure 1-1 External View and Component Names

Copyright 1997, Okidata, Division of OKI America, Inc. All rights reserved. See the OKIDATA Business Partner Exchange (BPX) for any updates to this material. (<http://bpx.okidata.com>)



Service Guide OKIPAGE6e

Chapter F High Capacity Second Paper Feeder

The High Capacity Second Paper Feeder feeds the paper into the printer by receiving the signal from the printer, which drives the pulse motor inside the High Capacity Second Paper Feeder. This motion is conveyed to rotate the One-way clutch of the hopping shaft assembly. The paper is delivered from the hopper into the printer through the turning of the hopping shaft assembly.

Once delivered into the printer, the paper is then controlled and fed through by pulse motor (Registration) of the printer.

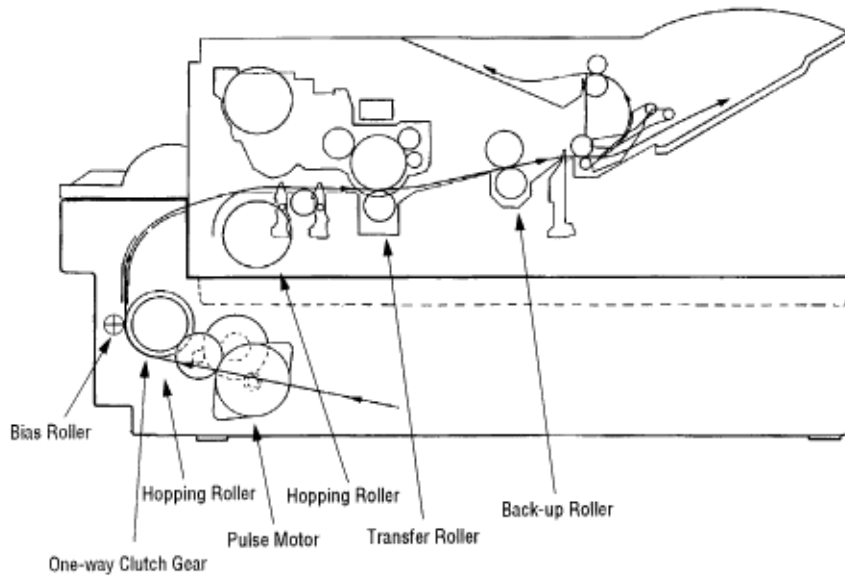
Copyright 1997, Okidata, Division of OKI America, Inc. All rights reserved. See the OKIDATA Business Partner Exchange (BPX) for any updates to this material. (<http://bpx.okidata.com>)



Service Guide OKIPAGE6e

Chapter F High Capacity Second Paper Feeder

The hopper automatically feeds the printer with the paper being set, single sheet at a time. When the paper is loaded in the paper cassette, it is then transported by the pulse motor.



Copyright 1997, Okidata, Division of OKI America, Inc. All rights reserved. See the OKIDATA Business Partner Exchange (BPX) for any updates to this material. (<http://bpx.okidata.com>)



Service Guide OKIPAGE6e

Chapter F High Capacity Second Paper Feeder

This section covers the procedures for the assembly, disassembly and installations in the field.

This section describes the disassembly procedures, and for assembly procedures, basically proceed with the disassembly procedures in the reverse order.

Copyright 1997, Okidata, Division of OKI America, Inc. All rights reserved. See the OKIDATA Business Partner Exchange (BPX) for any updates to this material. (<http://bpx.okidata.com>)



Service Guide OKIPAGE6e








Chapter F High Capacity Second Paper Feeder

- (1) Parts replacements must be carried out, by first turning the printer power switch off "O" and removing the High Capacity Second Paper Feeder from the printer.
- (2) Do not disassemble the High Capacity Second Paper Feeder if it is operating normally.
- (3) Establish the extent of disassembly suitable for the purpose of the procedure, and do not disassemble any more than necessary.
- (4) Only specified service tools may be used.
- (5) Disassembly must be carried out according to the prescribed procedures. Parts may be damaged if such procedures are not followed.
- (6) Small parts such as screws and collars can easily be lost, therefore these parts should be temporarily fixed in the original location.
- (7) When handling printed circuit boards, do not use any glove which may generate static electricity.
- (8) Do not place the printed circuit boards directly on the equipment or floor.

[Service Tools]

Table 3-1 shows the tools required for the replacement of printed circuit boards and units in the field.

Table 3-1 Service Tools

No.	Service tools	Q'ty	Place of use	Remarks
1	 No. 1-100 Philips screwdriver	1	2 - 2.5 mm screws	
2	 No. 2-100 Philips screwdriver	1	3 - 5 mm screws	
3	 NO. 3-100 screwdriver	1		
4	 NO. 5-200 screwdriver	1		
5	 Digital multimeter	1		
6	 Pliers	1		
7	 Handy cleaner	1		

Copyright 1997, Okidata, Division of OKI America, Inc. All rights reserved. See the OKIDATA Business Partner Exchange (BPX) for any updates to this material. (<http://bpx.okidata.com>)



Service Guide OKIPAGE6e

Chapter F High Capacity Second Paper Feeder

This section describes the layout of the main components.

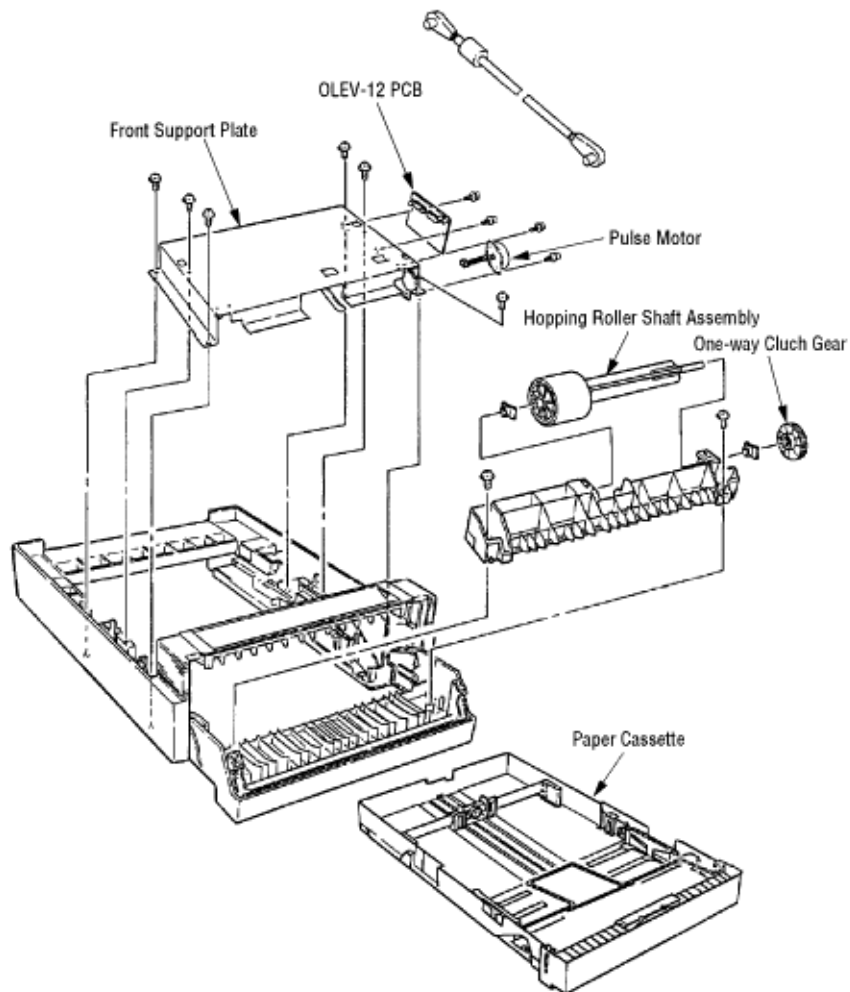


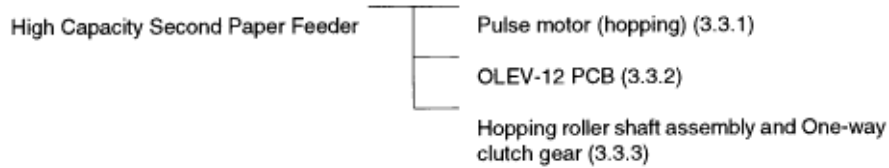
Figure 3-1



Service Guide OKIPAGE6e

Chapter F High Capacity Second Paper Feeder

This section describes the parts replacement methods for the components listed in the disassembly order diagram below.



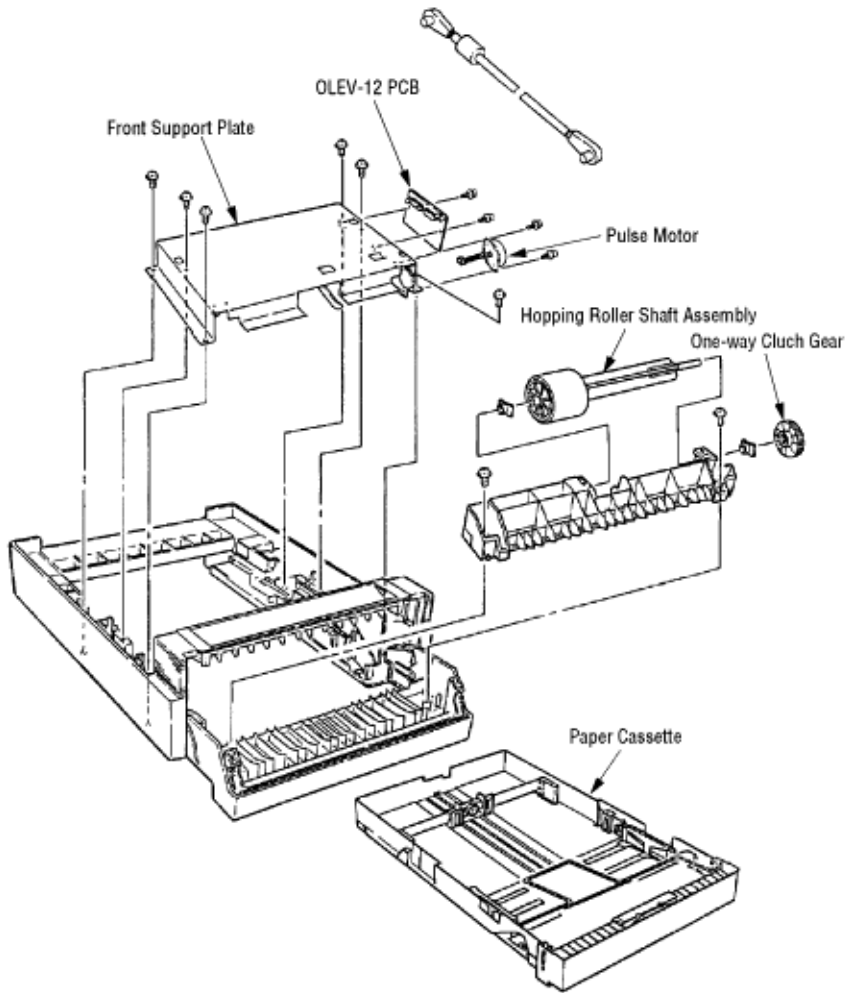
Copyright 1997, Okidata, Division of OKI America, Inc. All rights reserved. See the OKIDATA Business Partner Exchange (BPX) for any updates to this material. (<http://bpx.okidata.com>)



Service Guide OKIPAGE6e

Chapter F High Capacity Second Paper Feeder

- (1) Turn the printer power switch off "O" and remove the interface cable.
- (2) Remove the paper cassette 1.
- (3) Open the Front cover 2, stand the High Capacity Second Paper Feeder vertically and remove the 2 E-clamps 3.
- (4) Remove the 2 levers 4, and remove the tension springs 5.
- (5) Pull out the sheet guide 6 to the front.
- (6) Remove the 6 screws 7, and remove the front support plate 8.
- (7) Remove the connector 9 and the 2 screws 0, and remove the pulse motor A.



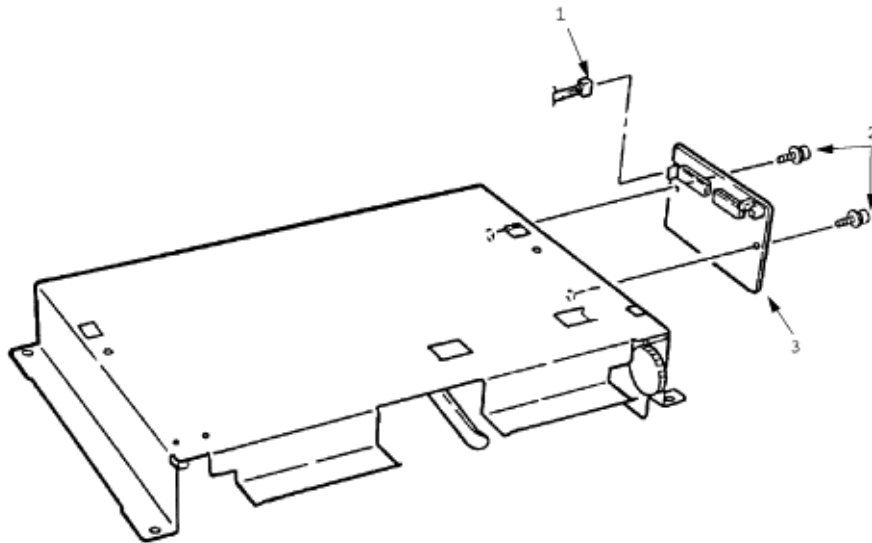
Copyright 1997, Okidata, Division of OKI America, Inc. All rights reserved. See the OKIDATA Business Partner Exchange (BPX) for any updates to this material. (<http://bpx.okidata.com>)



Service Guide OKIPAGE6e

Chapter F High Capacity Second Paper Feeder

-
- (1) Remove the front support plate (see 3.3.1 steps (1) through (6)).
 - (2) Remove the connector 1, and the 2 screws 2, then remove the OLEV-12 PCB 3.



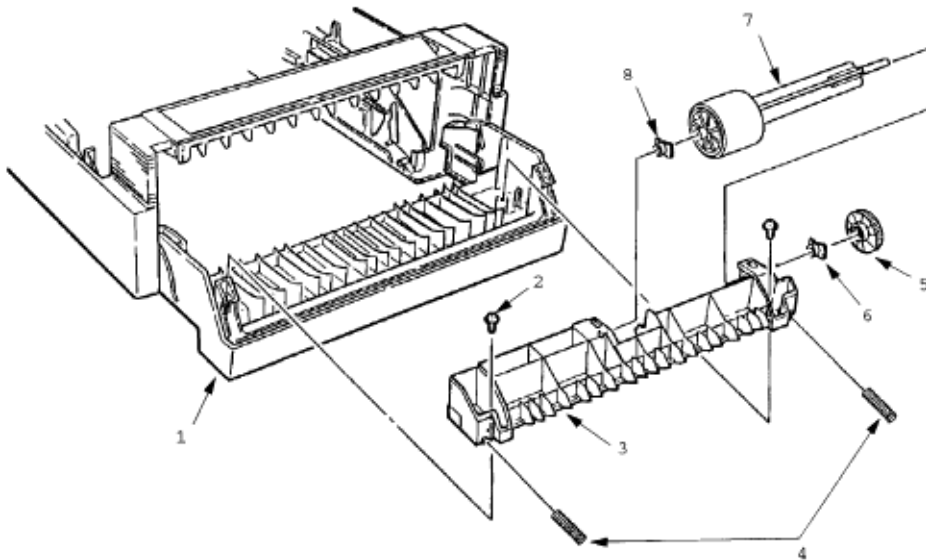
Copyright 1997, Okidata, Division of OKI America, Inc. All rights reserved. See the OKIDATA Business Partner Exchange (BPX) for any updates to this material. (<http://bpx.okidata.com>)



Service Guide OKIPAGE6e

Chapter F High Capacity Second Paper Feeder

- (1) Open the front cover 1.
- (2) Remove the 2 screws 2, and remove the hopping roller frame 3 (be careful not to lose the Springs 4 when you do this, since it comes off).
- (3) Remove the One-way clutch gear 5.
- (4) Remove the bush-A 6, and remove the hopping roller shaft assembly 7 (be careful not to lose the bush-B 8 when you do this, since it comes off).



Copyright 1997, Okidata, Division of OKI America, Inc. All rights reserved. See the OKIDATA Business Partner Exchange (BPX) for any updates to this material. (<http://bpx.okidata.com>)



Service Guide OKIPAGE6e
Chapter F High Capacity Second Paper Feeder

- (1) Go through the basic checking items provided in the Operator Guide.
 - (2) Obtain detailed information concerning the problem from the user.
 - (3) Go through the checking in the conditions similar to that in which the problem occurred.
-

Copyright 1997, Okidata, Division of OKI America, Inc. All rights reserved. See the OKIDATA Business Partner Exchange (BPX) for any updates to this material. (<http://bpx.okidata.com>)



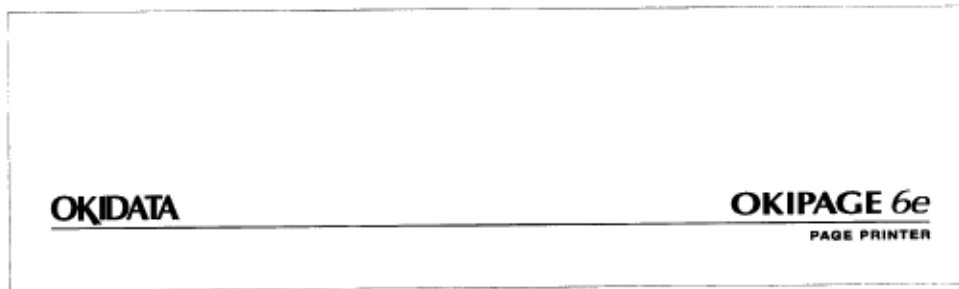
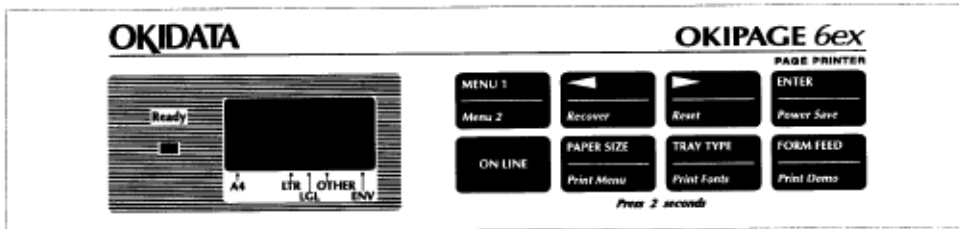
Service Guide OKIPAGE6e

Chapter F High Capacity Second Paper Feeder

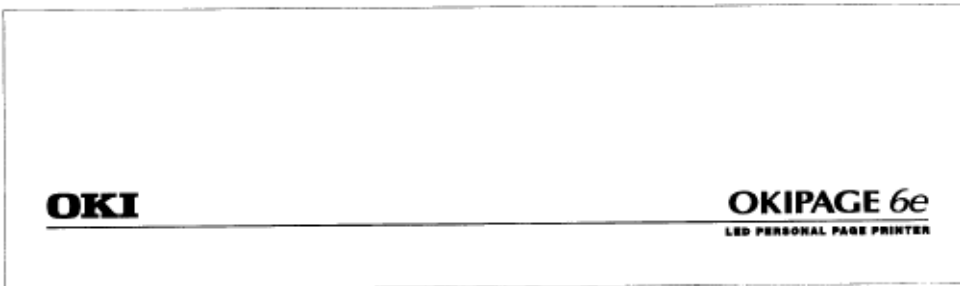
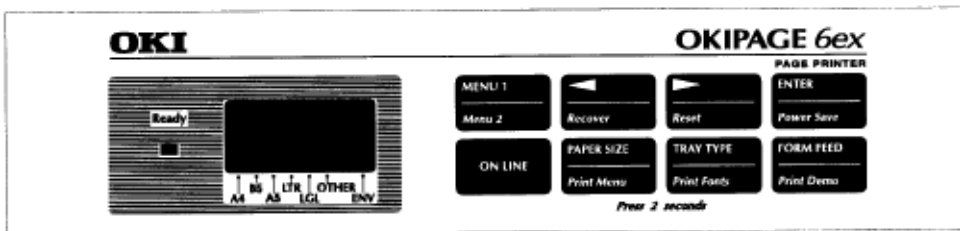
(1) Display on the Operator panel

The status of the problem is displayed on the LCD (Liquid Crystal Display) on the Operator panel. Go through the appropriate troubleshooting procedures according to the messages displayed on the LCD.

[ODA]







[OEL/INT]



Logo print Status message display

Ready LED display

	: OFF		: BLINKING
	: ON		: Undefined

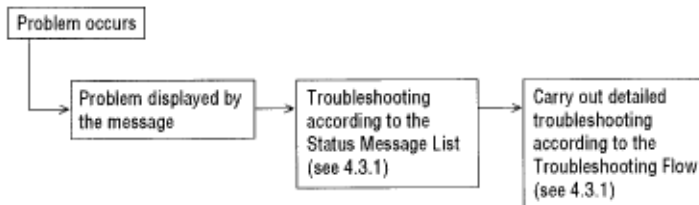
Copyright 1997, Okidata, Division of OKI America, Inc. All rights reserved. See the OKIDATA Business Partner Exchange (BPX) for any updates to this material. (<http://bpx.okidata.com>)



Service Guide OKIPAGE6e

Chapter F High Capacity Second Paper Feeder

When a problem occurs, go through the troubleshooting according to the following procedure.



Copyright 1997, Okidata, Division of OKI America, Inc. All rights reserved. See the OKIDATA Business Partner Exchange (BPX) for any updates to this material. (<http://bpx.okidata.com>)



Service Guide OKIPAGE6e

Chapter F High Capacity Second Paper Feeder

The listing of the statuses and problems displayed in the form of messages on the LCD or PC display is provided in Table 4-1.

JAM Error

Paper Inlet Jam

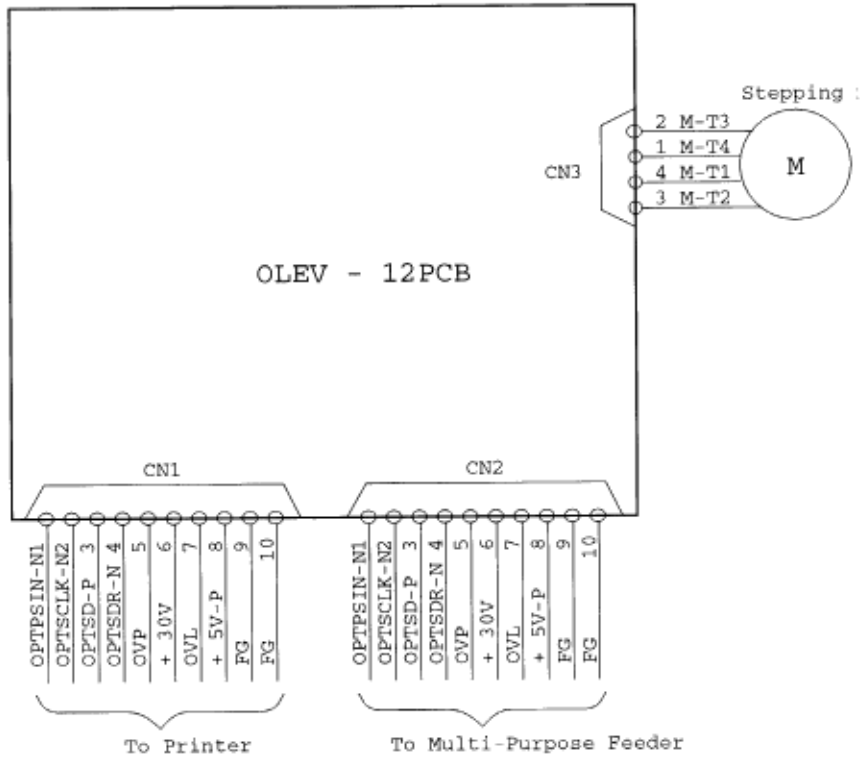
- Does paper jam at the inlet when the power is turned on?
 - YES Is the paper located above the sensor plate (Inlet)?
 - YES Remove the paper.
 - ▼ NO Is the sensor plate (Inlet) operating normally?
 - NO Replace the sensor plate (Inlet).
 - ▼ YES Replace the power supply board or inlet sensor.
- ▼ NO When the paper is fed in, does the paper inlet jam occur?
 - YES Is the paper being fed to above sensor plate (Inlet)?
 - YES Is the sensor plate (Inlet) operating normally?
 - NO Replace the sensor plate. (Inlet)
 - ▼ YES Clean the inlet sensor on the power supply board or replace the power supply board or inlet sensor.
 - ▼ NO Replace the hopping roller shaft assy or paper cassette.
- ▼ NO Is the hopping roller shaft rotating?
 - YES Set the paper properly.
- ▼ NO Is the stepping motor turning?
 - YES Replace the one-way clutch gear on the hopping roller shaft assembly.
- ▼ NO Is the connector cable being connected properly?
 - NO Connect the connector cable properly.
- ▼ YES Check the coil resistance (approx. 32Ω) of the pulse motor.
Is is normal?
 - NO Replace the pulse motor.
- ▼ YES Replace the OLEV-12 PCB.

Copyright 1997, Okidata, Division of OKI America, Inc. All rights reserved. See the OKIDATA Business Partner Exchange (BPX) for any updates to this material. (<http://bpx.okidata.com>)



Service Guide OKIPAGE6e

Chapter F High Capacity Second Paper Feeder





Service Guide OKIPAGE6e
Chapter F High Capacity Second Paper Feeder

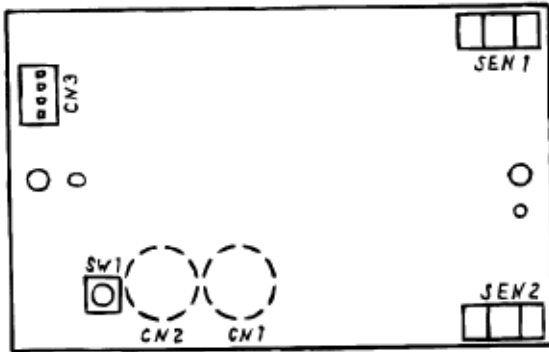


Copyright 1997, Okidata, Division of OKI America, Inc. All rights reserved. See the OKIDATA Business Partner Exchange (BPX) for any updates to this material. (<http://bpx.okidata.com>)



Service Guide OKIPAGE6e

Chapter F High Capacity Second Paper Feeder



OLEV-12 PCB

Copyright 1997, Okidata, Division of OKI America, Inc. All rights reserved. See the OKIDATA Business Partner Exchange (BPX) for any updates to this material. (<http://bpx.okidata.com>)

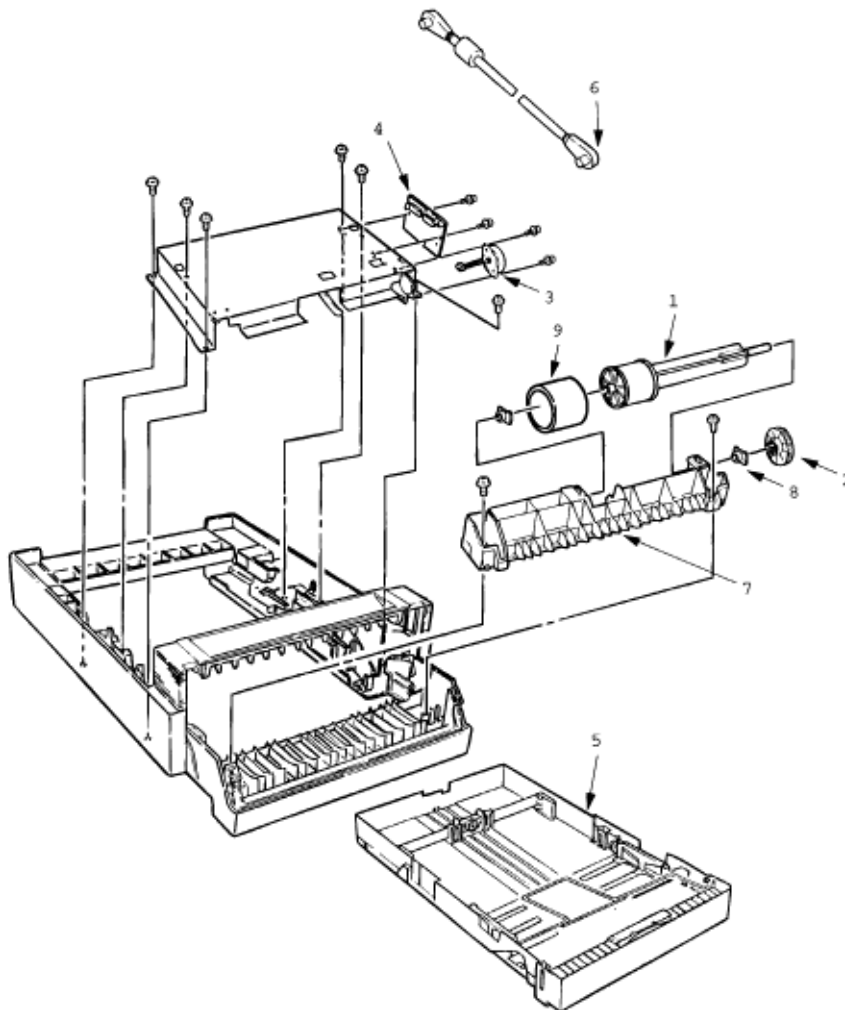


Figure 6-1 High Capacity Second Paper Feeder

Table 6-1 High Capacity Paper Feeder

No.	Description	Oki-J Part No.	ODA Part No.	Q'ty	Remark
1	Hopping roller shaft	3PP4083-6020P1		1	Same as the printer unit.
2	One-way clutch gear	4PB4083-6024P1	51228901	1	Same as the printer unit.
3	Pulse motor	4PB4083-6075P1	56510701	1	
4	OLEV-12 PCB	4YA4121-1014G12	55074812	1	
5	Paper cassette	4YA4083-6270G2	50109910	1	
6	Connection cord	3YS4011-3140P3	56631101	1	
7	Hopping roller frame	1PP4083-5605P1	53345901	1	

8	Bearing	4PP4083-6022P2	51607402	2	Same as the printer unit.
9	Hopping roller rubber	4PB4076-5447P1		1	

Copyright 1997, Okidata, Division of OKI America, Inc. All rights reserved. See the OKIDATA Business Partner Exchange (BPX) for any updates to this material. (<http://bpx.okidata.com>)